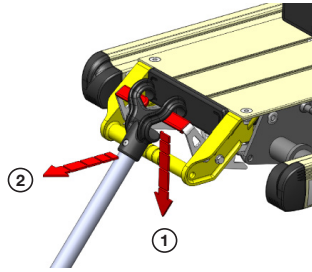
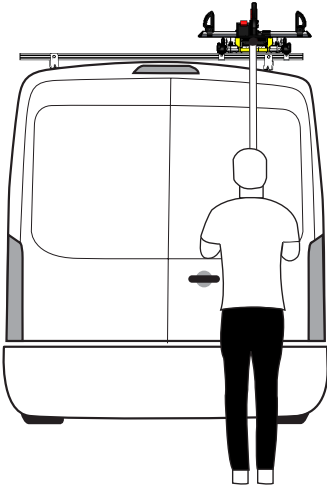


ACCESS STOW OPERATOR'S MANUAL

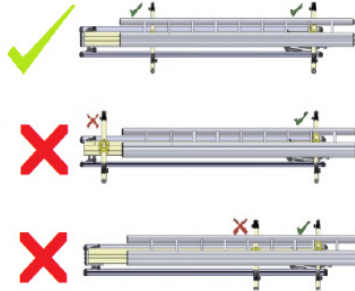
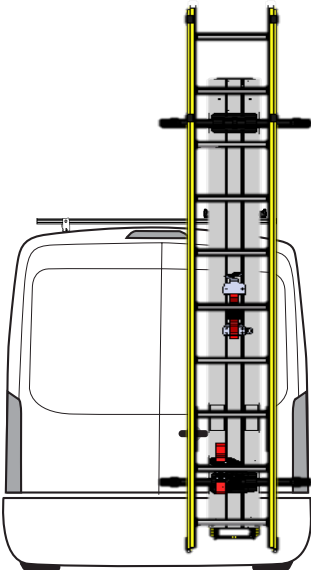


ACCESS STOW

LOADING INSTRUCTIONS

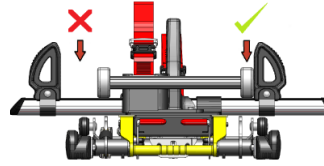
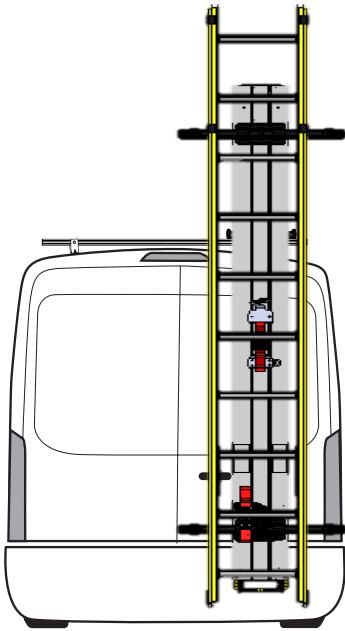


1 Release the latch and pull the system out.

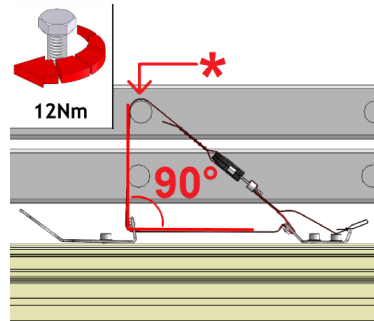
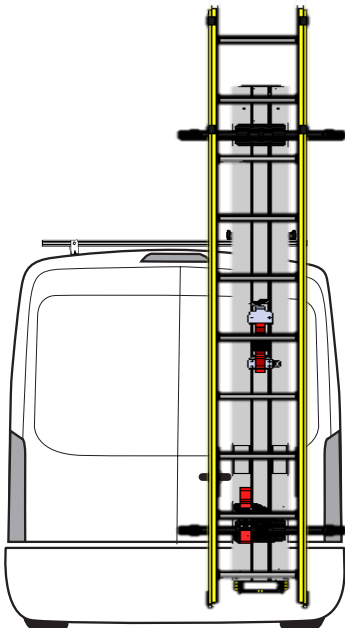


2

- CAREFULLY place ladder onto the system. DO NOT DROP!
- Pull strap upwards to tighten, DO NOT USE beltstow when storing ladder.



3 Set Load Stops against the side of the ladder.



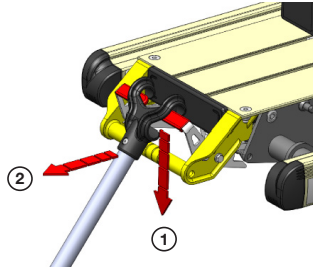
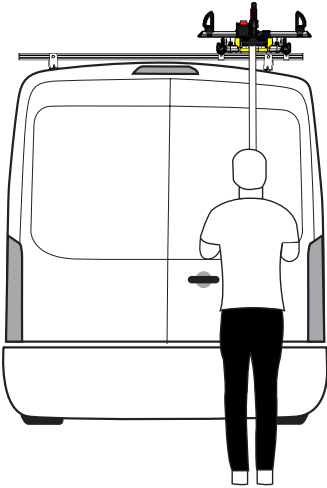
4

- Set as shown and tighten bolts to 12Nm. Highest rung within reach.
- Pull strap downwards to tighten, DO NOT USE beltstow when storing ladder.

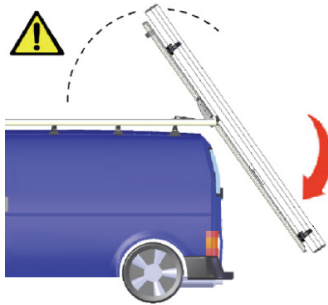
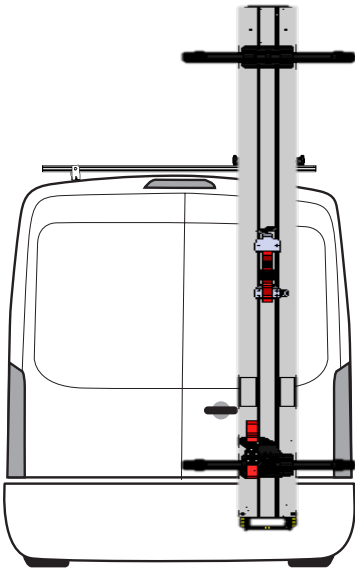
ACCESS STOW

OPERATING INSTRUCTIONS

LOWER LADDER

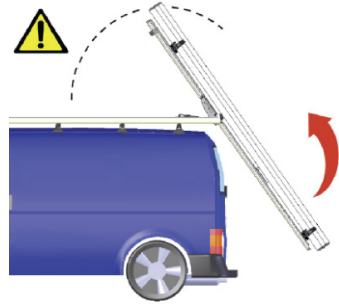
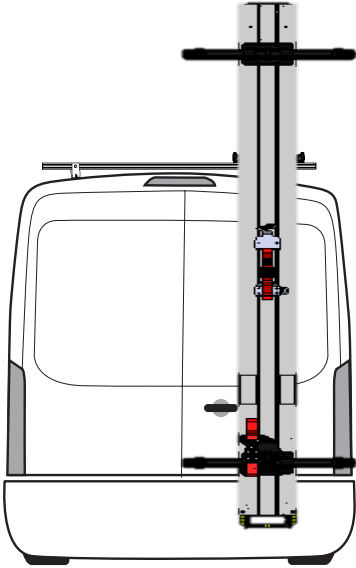


1 Release the latch and pull the system out.

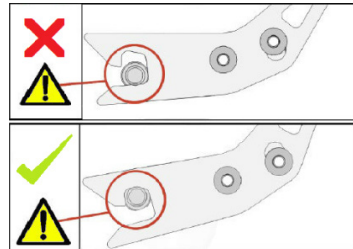
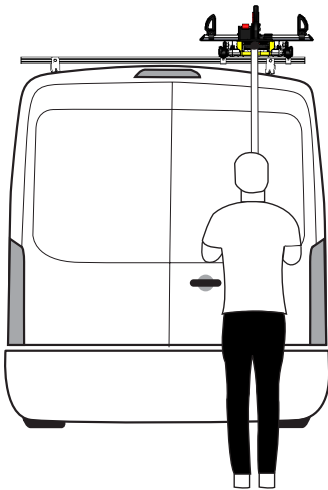


2 Pull down. Beware of overhead obstructions.

RAISE LADDER



1 Pull up. Beware of overhead obstructions.



2 Push forward until the latches are engaged

ACCESS STOW

SETUP INSTRUCTIONS

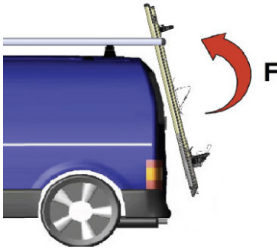
OPTIMUM ADJUSTMENT & SETUP GUIDE

The Access Stow setup is influenced and effected by the following physical factors:

1. Ladder weight
2. Ladder Height
3. Quantity of ladder (i.e 1 or 2 ladders, if applicable)
To provide optimum performance of your ladder lift assistance & drop down, there is a degree of adjustment to aid the weight & length of your ladder type.

These two form of adjustment are provided by:

1. The gas ram 'gas spring' hole position.
2. The centre Access Stow extrusion drop height.



There are 5 different settings to suit the weight on the system.
Gas ram 'gas spring' can be adjsuted.

! Please refer to the chart below to aid the optimum setting and safe ladder weight and sizes which can be accommodated.

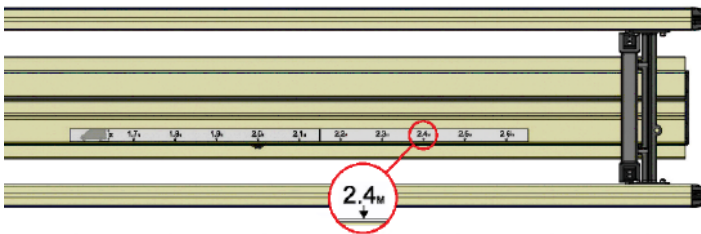
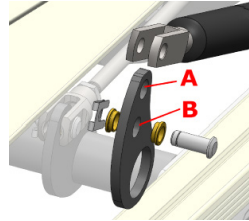
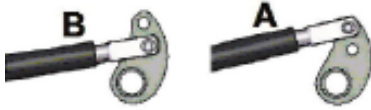
As an Example:

A high roof van model with 118" length ladder weighing 53lbs, should be set on position F5 on the gas ram lobe 'gas spring', with the drop down height of the centre extrusion set to 2.6m on the underside increment ruler scale.

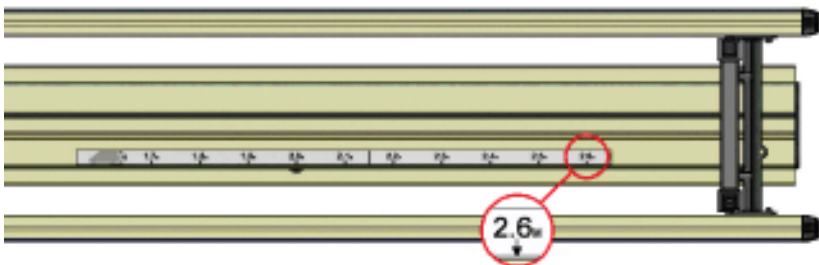
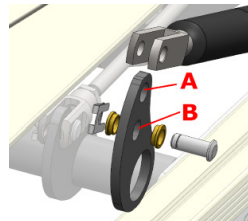
In this instance a double ladder option can be specified as the total weight of the 118" ladders does not exceed the maximum permissible carrying weight of some 132lbs.



RAM PROMASTER & MEDIUM ROOF FORD TRANSIT

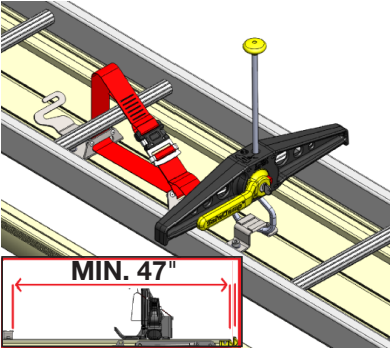


SPRINTER, TRANSIT HIGH ROOF & NISSAN NV

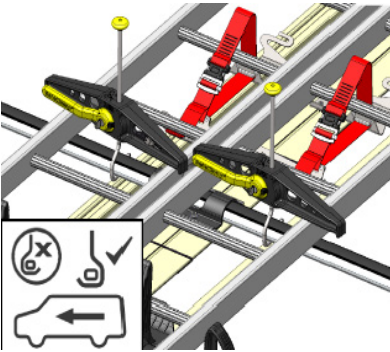


ACCESS STOW

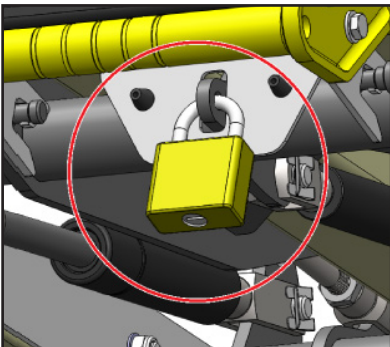
ANTI THEFT INSTRUCTIONS



Fit single SafeClamp as shown.



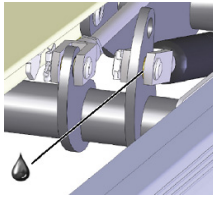
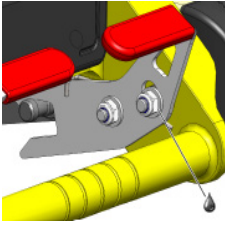
Fit Double SafeClamp as shown.



There is a location for a padlock if desired. (Padlock not provided).

ACCESS STOW

MAINTINANCE INSTRUCTIONS



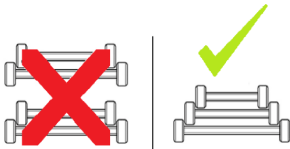
Apply oil to pivot points when required.

ACCESS STOW

WARNING



DO NOT climb on the system.



The system will carry a maximum of triple section ladder.

CONTACT US

cs@rangerdesign.com
1-800-565-5321

rangerdesign.com

