

INSTALLATION GUIDE



Max Rack:
Passenger side

18-U1810



2022 Rev 1

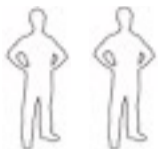
SET-UP - BOM & TOOLS

Item No.	Description	Qty.
18-004	SPACER, MAX RACK	1
18-009	DAMPER	1
18-010	GAS SPRING	1
18-167	GAS SPRING COMBO	1
18-192	INSERT PLATE	2
18-4010	SHAFT SUPPORT BRACKET	2
40-665	BALL STUD	2
90-225	BOLT HEX HEAD 5/16"-18 X 2" SS304	5
90-491	BOLT CARRIAGE 5/16"-18x1" SS304	10
94-111	NUT LOCK HX-HD NYL-INSRT 5/16"-18 SS304 WAX	17
98-117	WASHER FLAT 5/16", 3/4" OD, SST	24
18-4001	REAR MECHANISM - PASSENGER SIDE	1
18-4002	FRONT MECHANISM, PASSENGER SIDE	1
18-4005	REAR SHAFT ASSEMBLY, PASSENGER SIDE	1
18-4022	FRONT HEX BAR ASSEMBLY, PASSENGER SIDE	1
18-4023	REAR HEX BAR ASSEMBLY, PASSENGER SIDE	1
18-256	ADJUSTABLE PIVOT CENTER TUBE	1

REQUIRED ITEMS

- Ladder
- Cordless Impact
- Tape Measure
- 1/2" Wrench
- Anti-seize compound
- Marker
- 1/2" Socket
- Ratchet

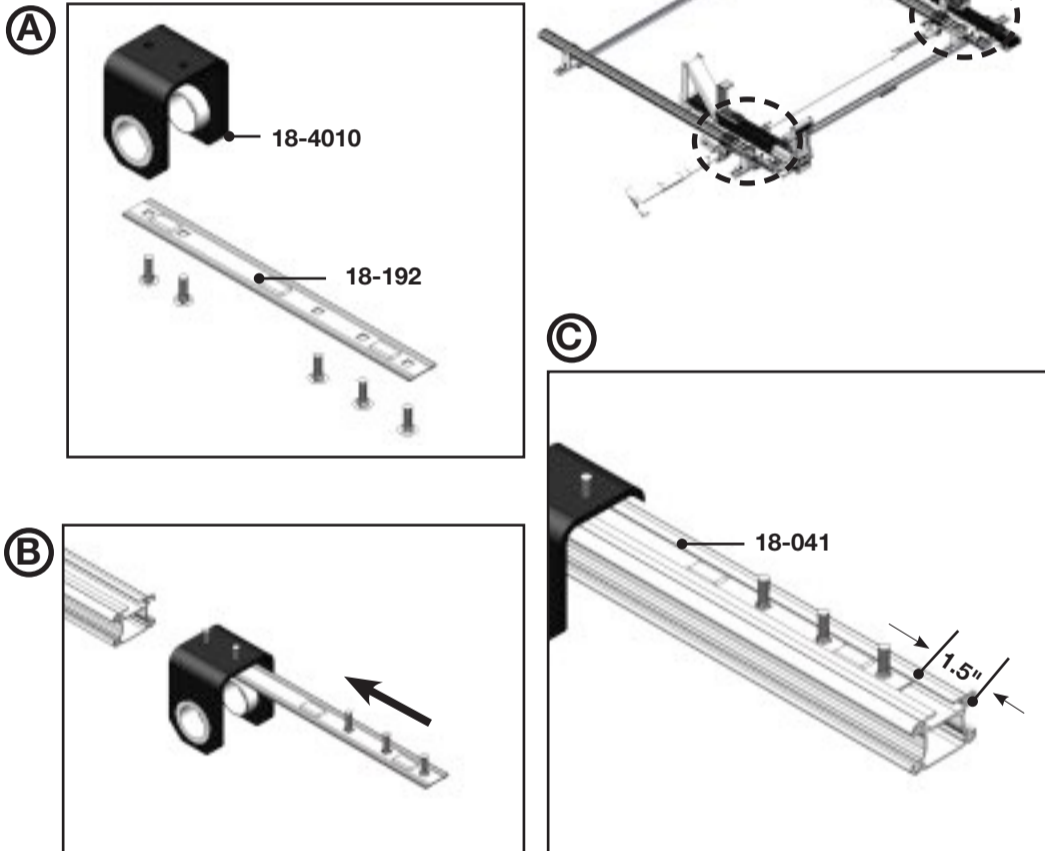
2 PERSON



STEP 1 - CARRIAGE BOLT PLATE INSTALL

FASTENERS USED 5x

#90-491 Carriage Bolt 1"



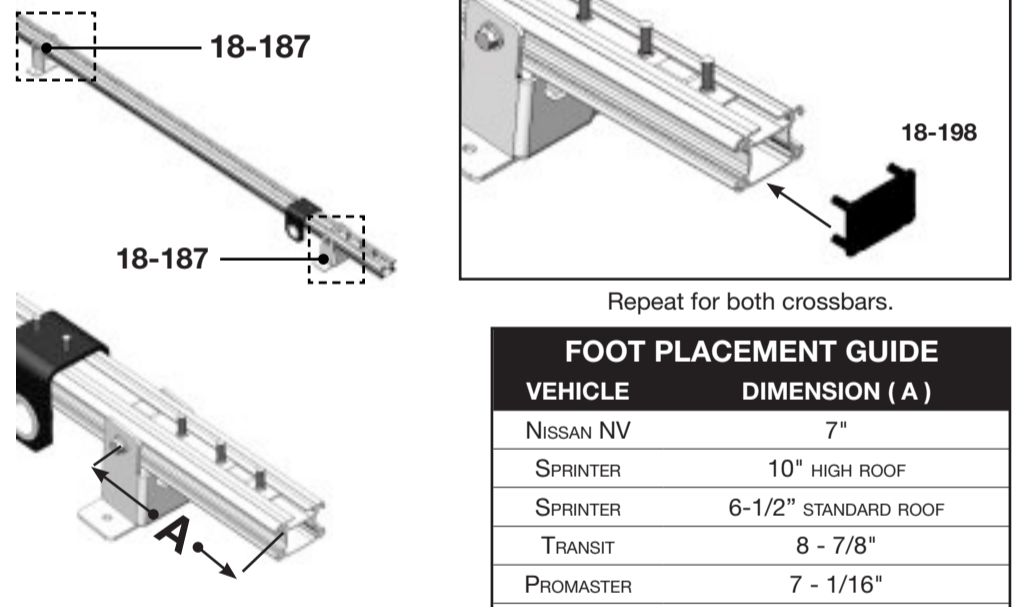
STEP 2 - CROSSBARS SET UP

CROSSBARS NOT INCLUDED.

FASTENERS USED

4x (12 ft • lbs)

- #90-203 Hex Bolt 5/8"
- #98-123 Lock Washer 5/16"
- #98-117 Flat Washer 5/16"
- #94-250 Channel Nut 5/16"

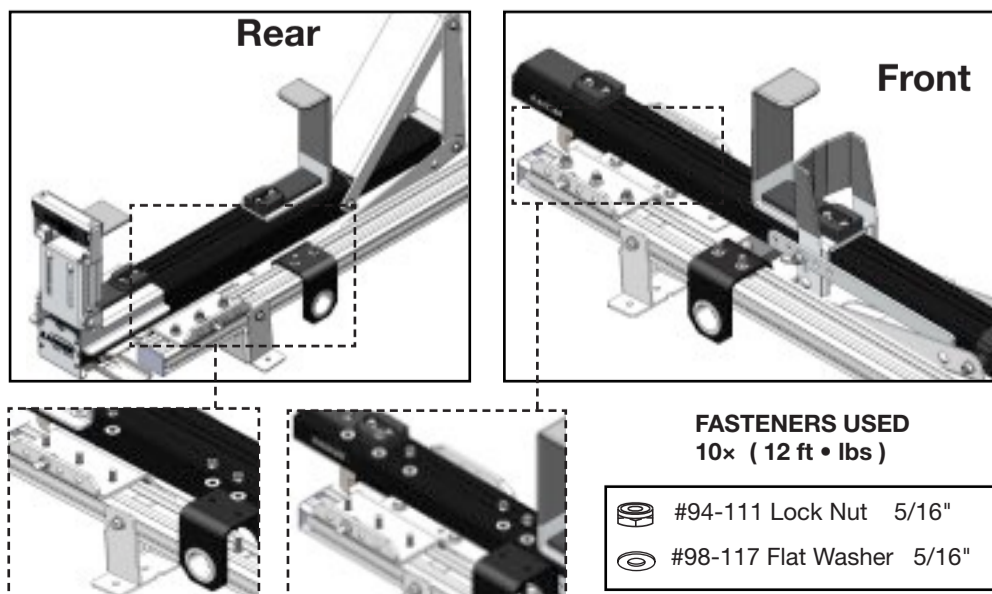


STEP 3 - REAR & FRONT MECHANISM INSTALL

Use anti-sieze on threaded bolts.

FASTENERS USED
2x (12 ft • lbs)

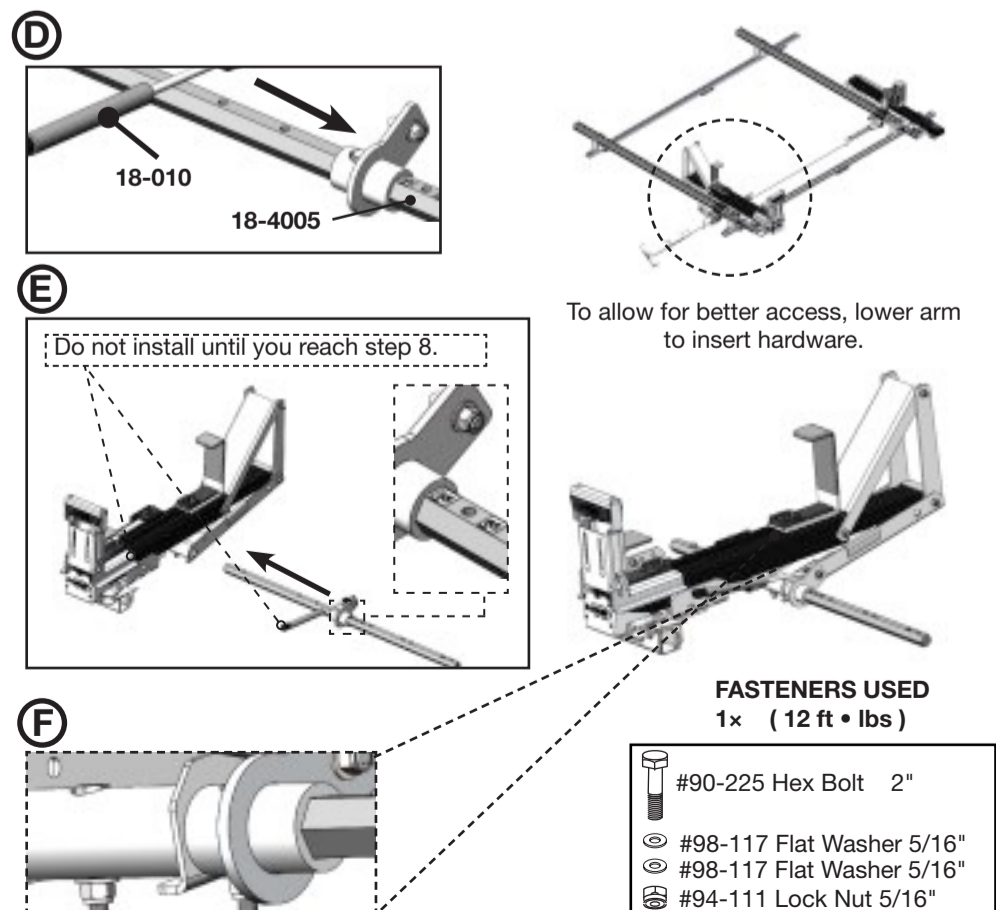
- #40-661 Ball stud
- #98-117 Flat Washer 5/16"
- #98-117 Flat Washer 5/16"
- #94-111 Lock Nut 5/16"



FASTENERS USED
10x (12 ft • lbs)

- #94-111 Lock Nut 5/16"
- #98-117 Flat Washer 5/16"

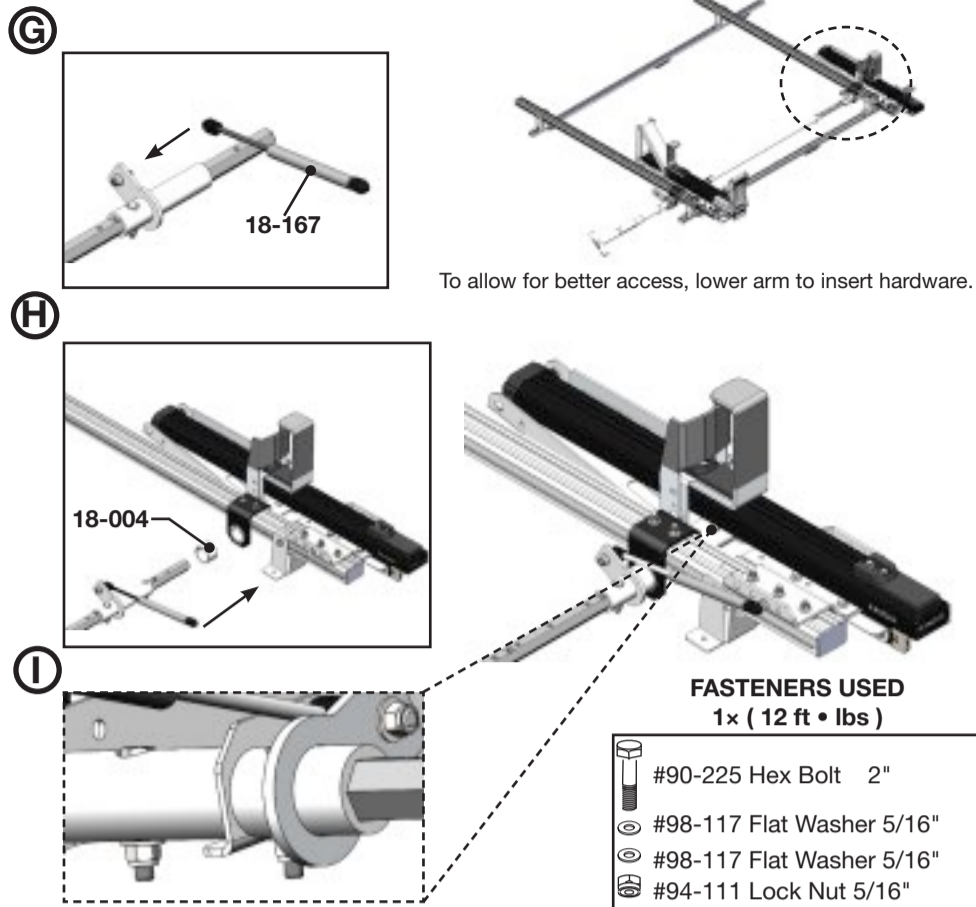
STEP 4 - REAR HEX SHAFT INSTALL



FASTENERS USED
1x (12 ft • lbs)

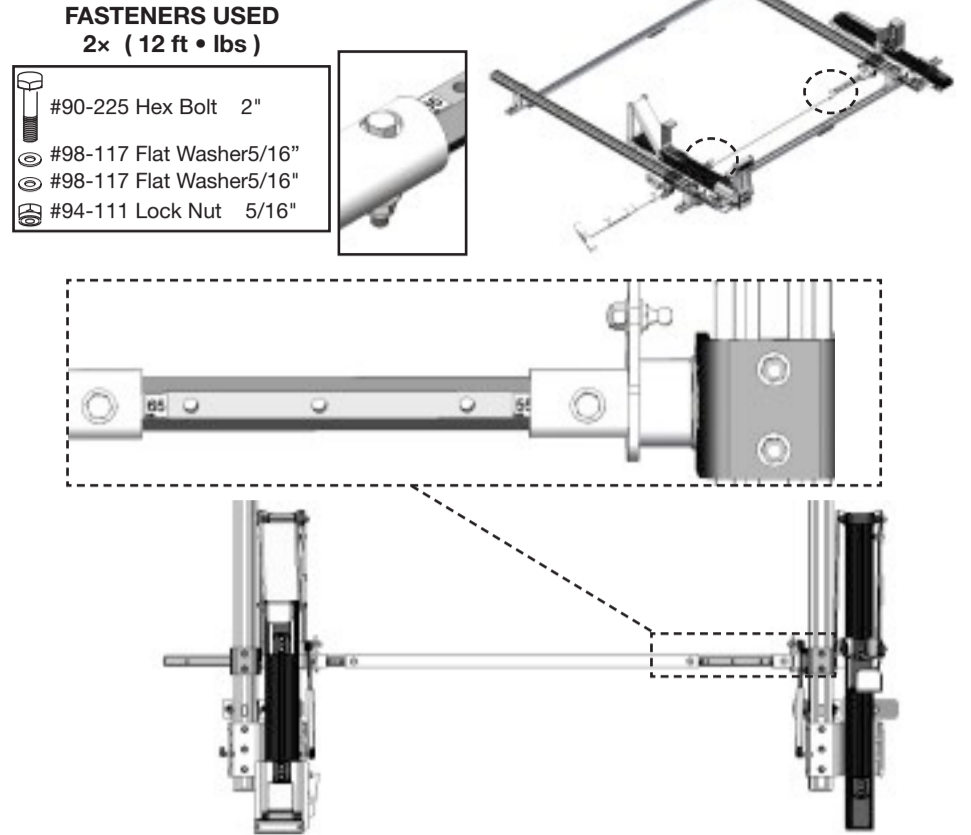
- #90-225 Hex Bolt 2"
- #98-117 Flat Washer 5/16"
- #98-117 Flat Washer 5/16"
- #94-111 Lock Nut 5/16"

STEP 5 - INSTALL FRONT HEX SHAFT

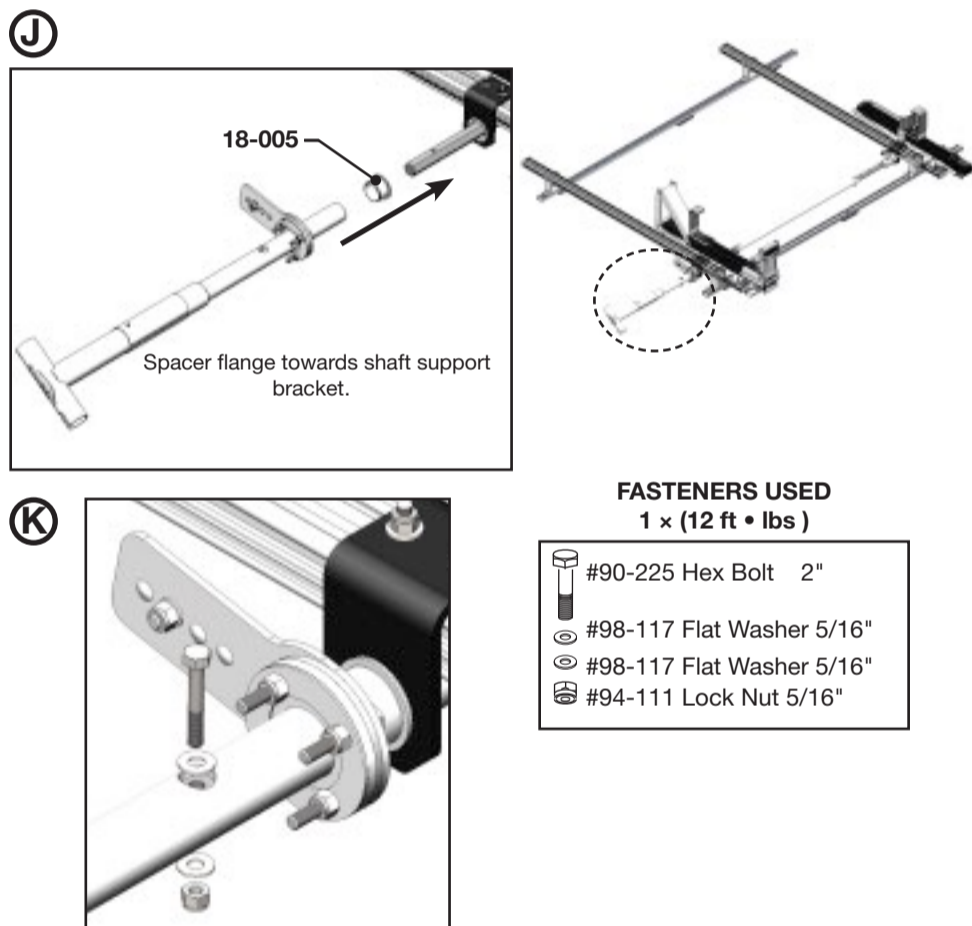


STEP 6 - INSTALL CENTER TUBE

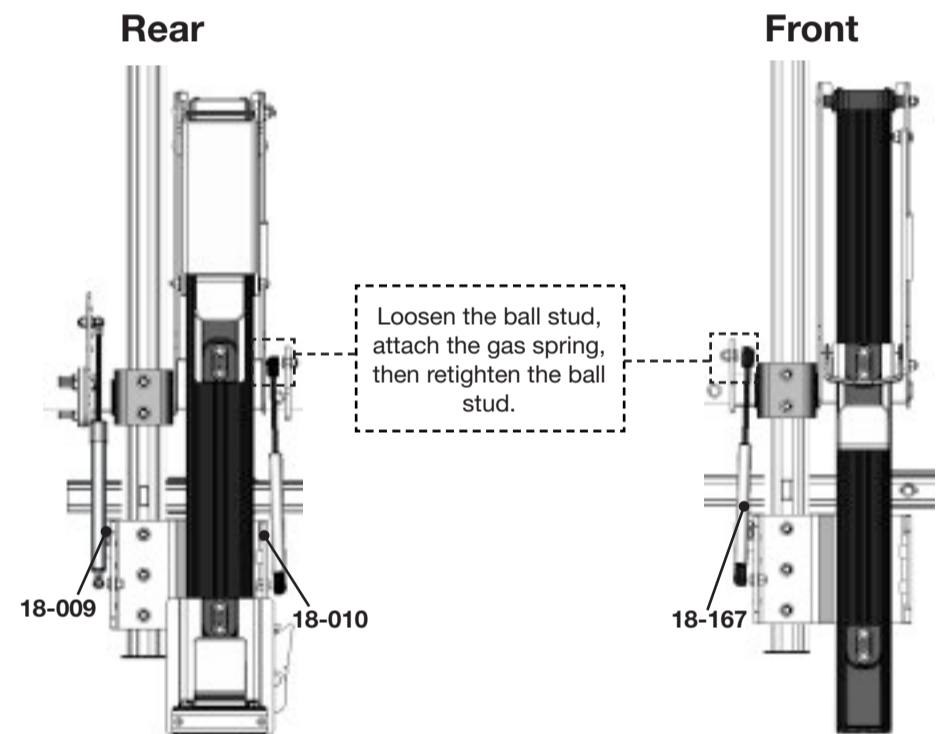
Refer to numbered spacing provided on the hex bar.



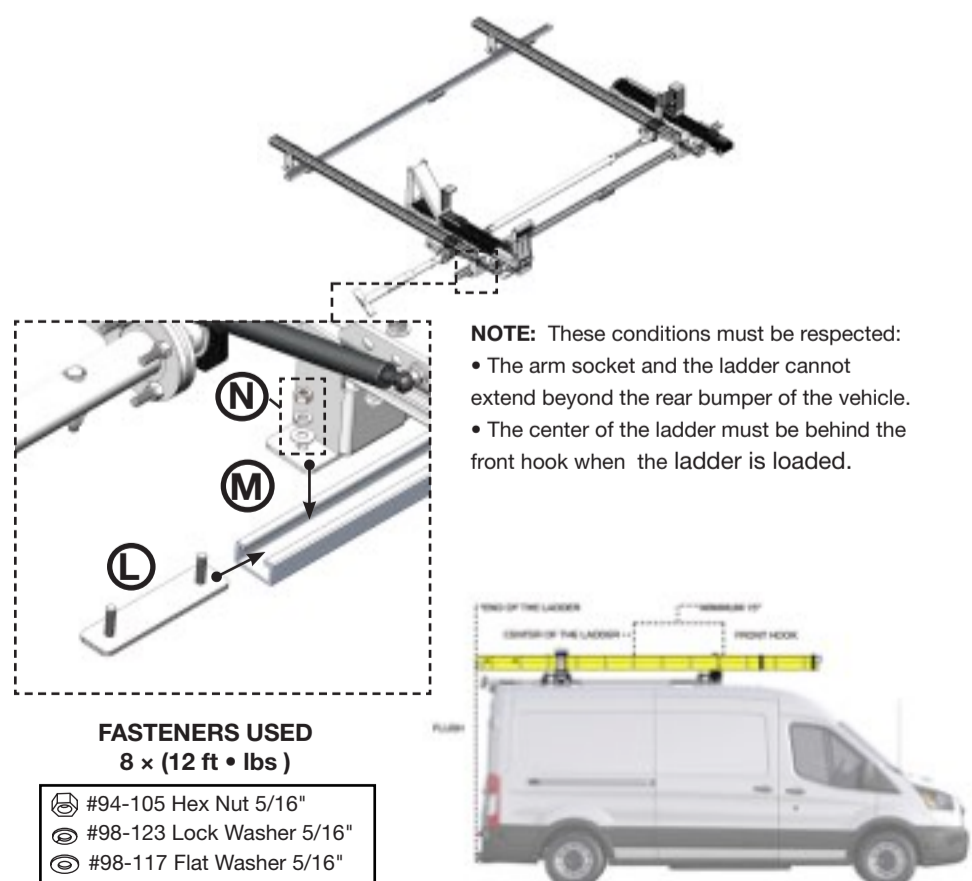
STEP 7 - INSTALL REAR ELBOW



STEP 8 - INSTALL GAS CYLINDERS



STEP 9 - VAN ROOF INSTALLATION



STEP 10 - STICKER PLACEMENTS

NOTE:

- Place the Max Rack in the down position.
- Load the ladder onto the Max Rack.
- Follow direction in **Operator's Manual** to adjust hooks to ladder.
- Include **Operator's Manual** in the cab for end user.
- If you don't have the ladder of the end user, explain to end user where to put the **Ladder sticker**.



Online Install Guide

