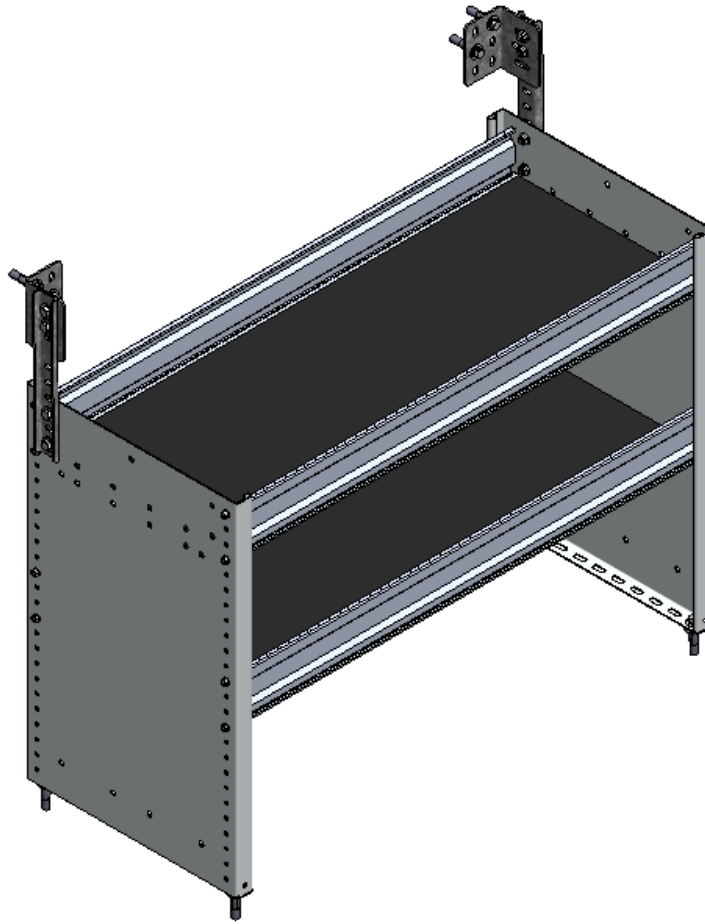


INSTALLATION GUIDE



S2-RA36-2 Shelving (ALUMINUM)

Ram C/V

Box Truck / Trailer



QUICK START GUIDE

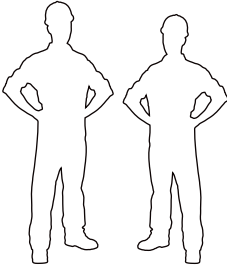
Phase 1 - Assembly

- 1.1 Setup..... 3 - 4
- 1.2 Shelf Assembly..... 5 - 6

Phase 2 - Installation

- 2.1 Attach Wall Brackets To The End Panels..... 7
- 2.2 Mark Holes For Plus Nuts..... 8
- 2.3 Attach Plus Nut..... 9 - 10
- 2.4 Attach Shelf Unit To the Floor..... 11
- 2.5 Attach Wall Brackets..... 12

REQUIRED ITEMS



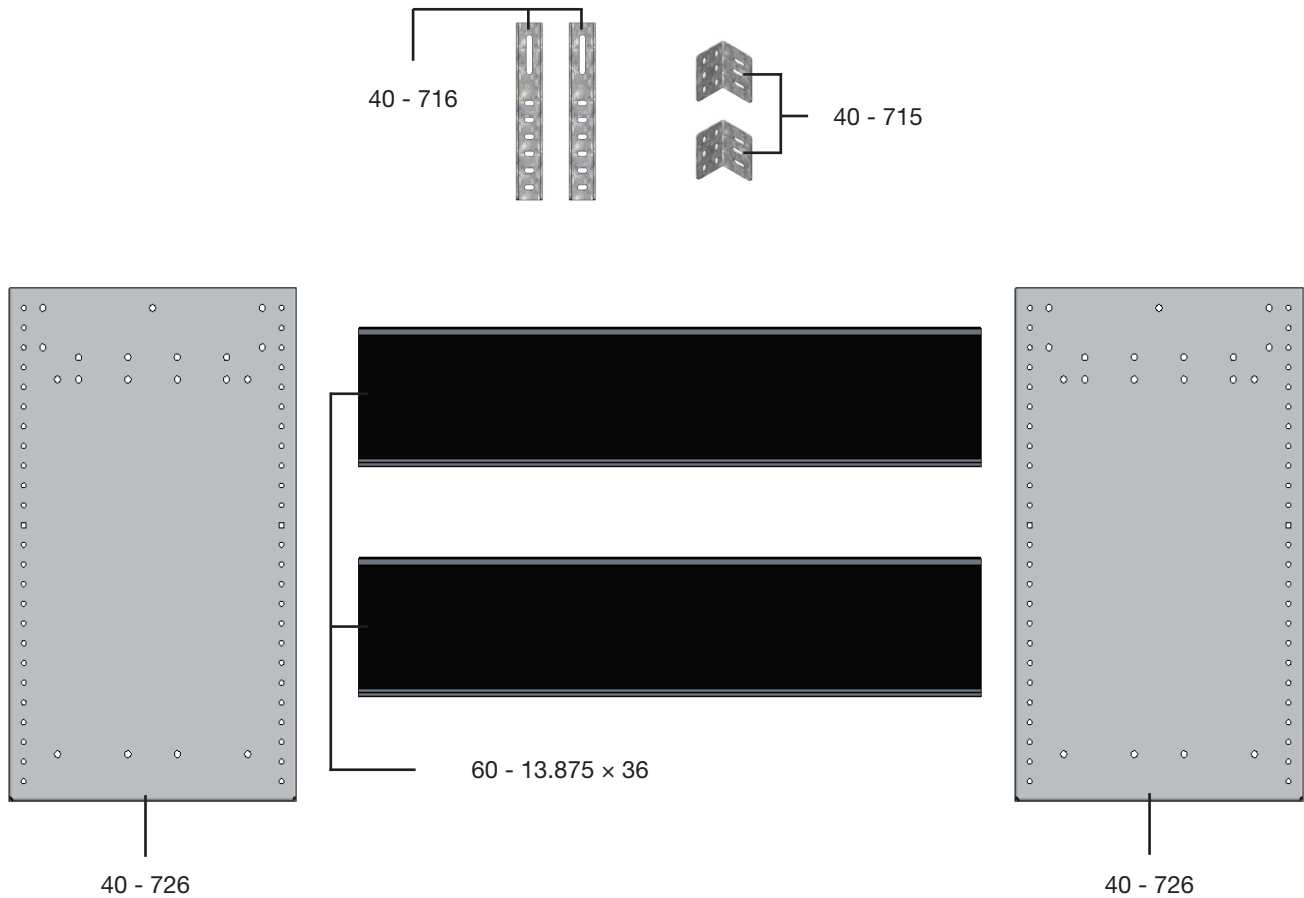
**2
PERSONS**

- Cordless Impact
- Cordless Drill
- Tape Measure
- Marker
- 1/2" Socket
- 1/2" Drill Bit w/ Drill Collar (Set at 1/2")
- 3/8" Driver Bit
- Knife
- Plusnut Tool / Plusnut Gun (5/16")

PHASE 1 – ASSEMBLY

1.1 SETUP

1.1.1 Unpack components; compare with the bill of materials.



1.1.2 Verify all parts are present.

BILL OF MATERIALS

Item No.	Description	Qty.
40 - 715	Bracket head	2
40 - 716	Bracket arm	2
40 - 726	End Panel	2
60 - 13.875 x 36	Shelf Tray, Black Plywood, Usable 14" x 36"	2
94 - 4029	Assembly Fastener Kit	1
96 - 4027	Install Fastener Kit	1

1.1.3 Fastener kits.




94 - 4029 Fastener Kit




Fastener Assembly

- 8x  # 90-204 Hex Bolt
5/16"-18 x 3/4"
GR-5 ZINC
- 16x  # 92-102 Screw HWH
#14 x 1"
ZINC
- 8x  # 94-116 Serrated Nut
5/16"-18
ZINC
- 8x  # 98-116 Flat Washer
5/16" - 18 x 1"
ZINC

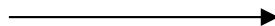
8x

-  #90-204 Hex Bolt 5/16" x 3/4"
-  #98-116 Flat Washer
-  #94-116 Serrated Nut

16x

-  #92-102 Screw #14 x 1"





96 - 4027 Fastener Kit



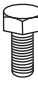




Fastener Assembly

- 8x  # 90-212 Hex Bolt
5/16"-18 x 1-1/4"
GR-5 ZINC
- 8x  # 94-132 Plusnut
- 8x  # 98-116 Flat Washer
5/16", O.D. 7/8"
ZINC
- 8x  # 98-122 Lock Washer
5/16"
ZINC
- 4x  # 98-157 Spacer
0.375" ID, x 1.0" OD x 0.25" LONG
NYLON

4x

-  #90-212 Hex Bolt 5/16" x 1-1/4"
-  #98-122 Lock Washer
-  #98-116 Flat Washer
-  #94-132 5/16" Plusnut

4x

-  #90-212 Hex Bolt 5/16" x 1-1/4"
-  #98-122 Lock Washer
-  #98-116 Flat Washer
-  #98-157 Spacers
(QTY = GAP BETWEEN FLOOR AND END PANEL)
-  #94-132 5/16" Plusnut

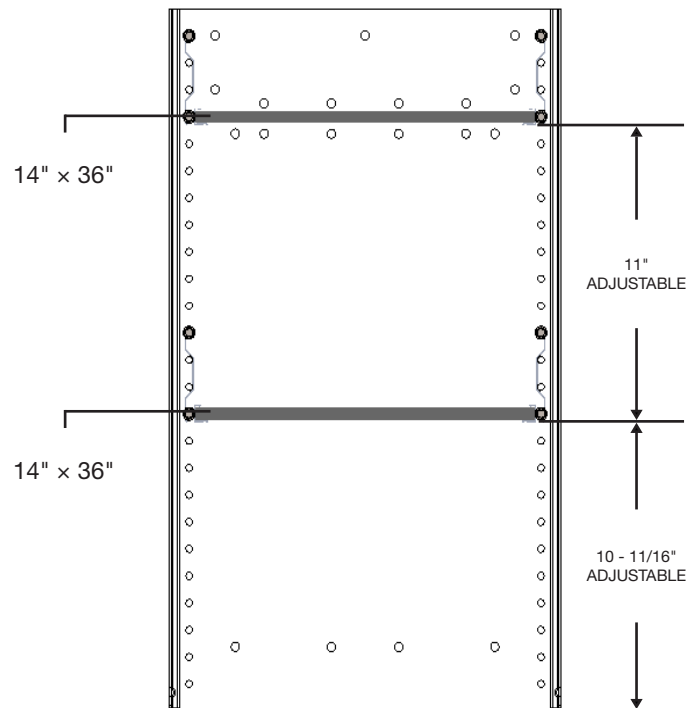
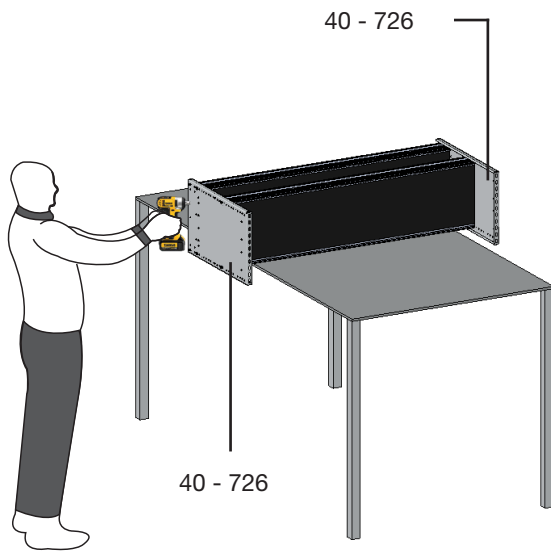
PHASE 1 – ASSEMBLY

1.2 SHELF ASSEMBLY

1.2.1 Attach both panels to the shelf trays.

NOTE: You can adjust the bottom shelf location to maximize or minimize your space over the wheel.

IMPORTANT: Always handle panels on a smooth, protected and clean surface to avoid unnecessary scratching.




A close-up diagram showing a dark grey panel being attached to a shelf tray. Two screws are shown being inserted into the panel. The shelf tray has a metal track on its top edge.

TOOLS

- ☐ Cordless Impact
- ☐ 3/8" Driver Bit

HARDWARE USED

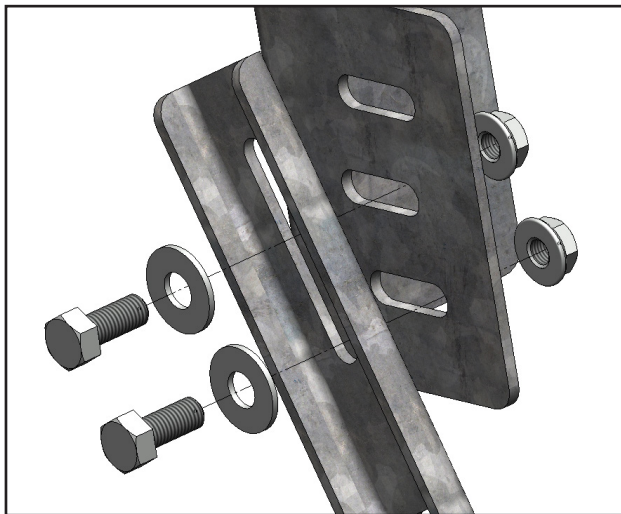
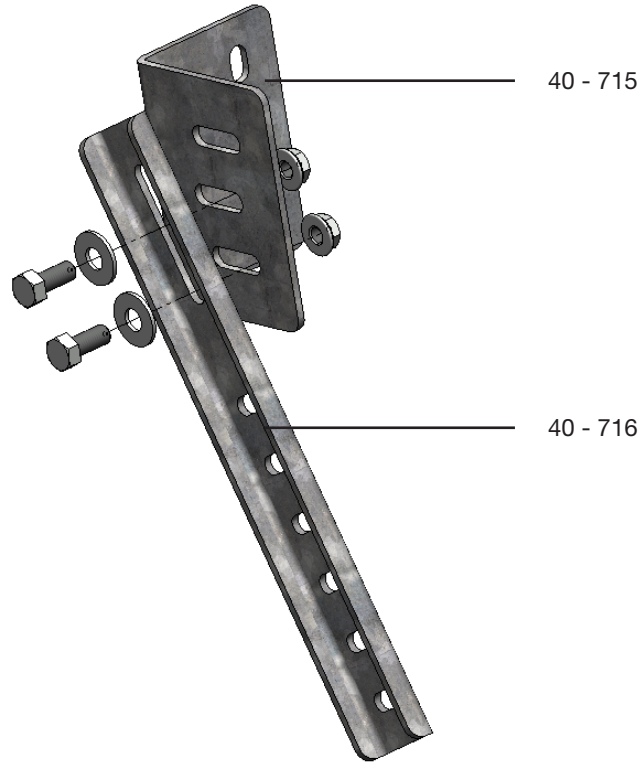
16x

 #92-102 Screw #14 x 1"

1.2.2 Attach the bracket head to the bracket arm.

NOTE: Hand-tighten the bolts for adjustment.

2x






TOOLS

- Cordless Impact
- 1/2" Socket

HARDWARE USED

4x HAND-TIGHTEN THE BOLTS

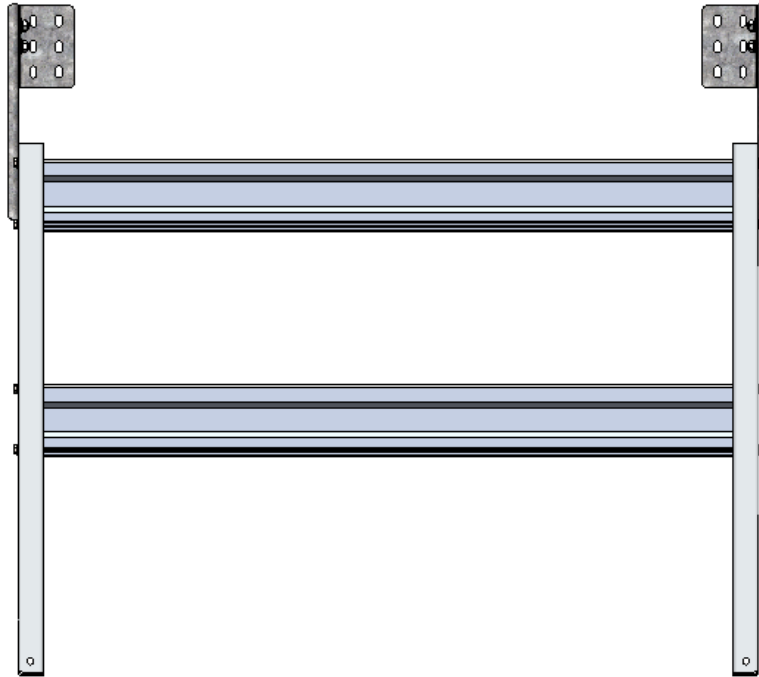
- | | |
|--|-------------------------------|
|  | #90-204 Hex Bolt 5/16" x 3/4" |
|  | #98-116 Flat Washer |
|  | #94-116 Serrated Nut |

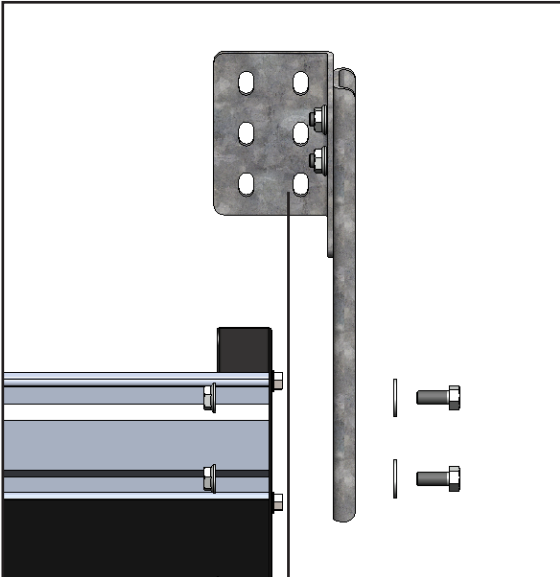
PHASE 2 – INSTALLATION

2.1 ATTACH WALL BRACKETS TO THE END PANELS

- 2.1.1 • Lift the assembled shelf to the vehicle with care, then put it in place.
• Attach the bracket arm to the panels aligning the brackets head to the structure of the van or truck.

IMPORTANT: For **Box Trucks** and **Ram C/V**, make sure that the shelving is securely fastened to the structure of the truck or van.



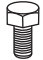




TOOLS

- Cordless Impact
- 1/2" Socket

HARDWARE USED

4x HAND-TIGHTEN THE BOLTS

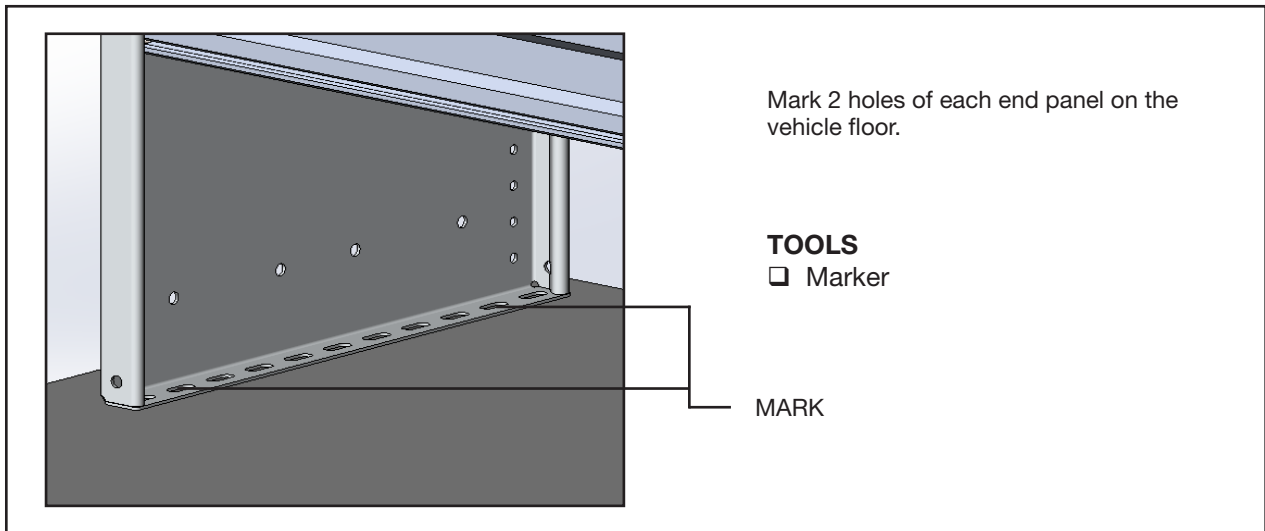
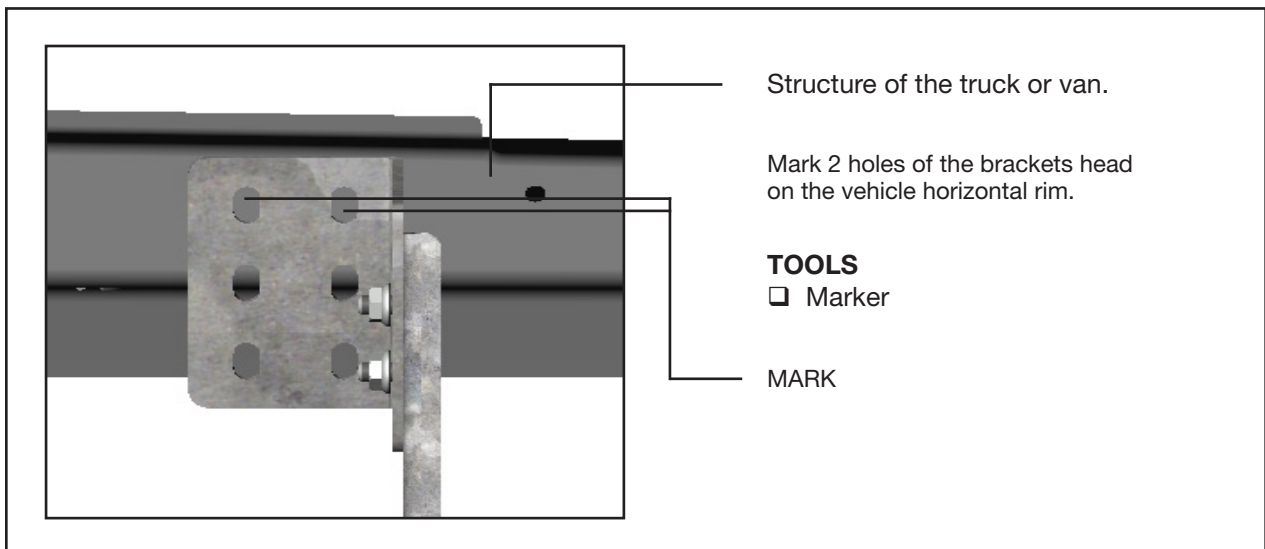
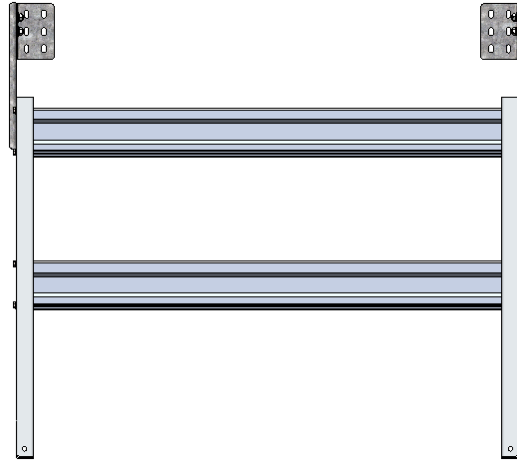
	#90-204 Hex Bolt 5/16" x 3/4"
	#98-116 Flat Washer
	#94-116 Serrated Nut

BRACKET HEAD

PHASE 2 – INSTALLATION

2.2 MARK HOLES FOR PLUS NUTS

2.2.1 After attaching the brackets mark the holes on the brackets and end panels to the structure of the truck or van.



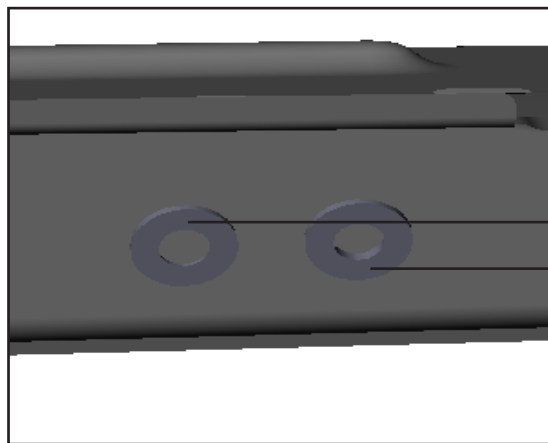
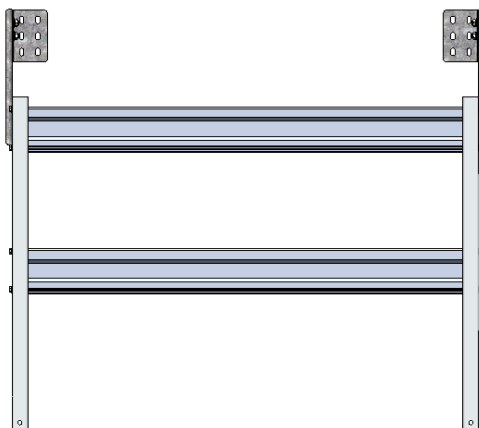
PHASE 2 – INSTALLATION

2.3 ATTACH PLUS NUTS

- 2.3.1 • Lift the assembled shelf on the side.
• Drill all the marks using 1/2" drill bit w/ drill collar, then attach plus nuts to the holes.

NOTE: Use 1/2" drill bit with drill collar to stop drill at 1/2" depth.

WARNING: Before drilling, ensure that you will not hit any critical parts of the vehicle like the **Gas tank**, **Wiring Harness** and **Hose**.



PLUSNUT

Drill all the marks then, attach plus nuts to the holes.

TOOLS

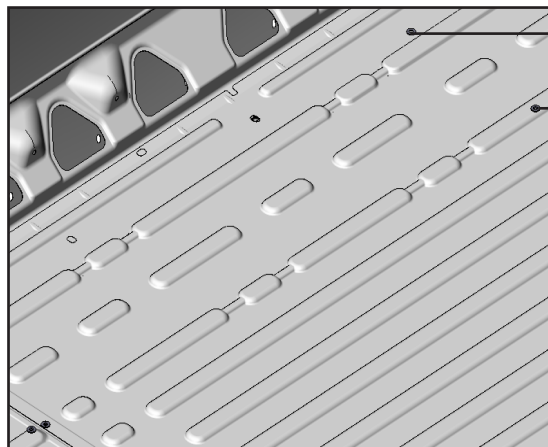
- Cordless Drill
- 1/2" Drill Bit w/ Drill Collar (Set at 1/2")
- Plus Nut Tool (5/16")

HARDWARE USED

8x



#94-132 Plus Nut

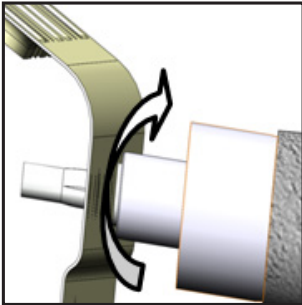


DRILL COLLAR
(SET AT 1/2")

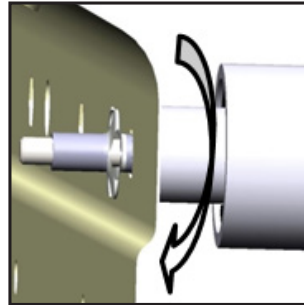
2.3.2 How to attach plus nut.

• USING PLUSNUT GUN

STEP: Put the plusnut on the plusnut gun, then attach the plus nut in the hole by turning the gun forward until the plus nut locks, then remove the gun by turning in reverse.



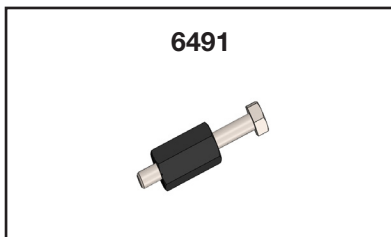
FORWARD



REVERSE



• USING THE 6491 PLUSNUT TOOL

NOTE: The hardware used for the 6490 plusnut tool is not included in the fastener bag.
The 6490 plusnut tool can be ordered separately upon demand at no charge.



6491

HARDWARE USED

-  Flat washer 5/16"
-  Flat washer 5/16" BS × 7/8" OD

TOOLS

- Cordless Impact
- 1/2" Socket
- 9/16" Wrench

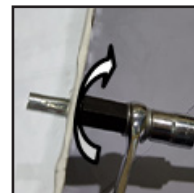
STEP 1:

Assemble the 6491 plusnut tool with the hardware needed, plus nut and the 9/16" wrench as shown.



STEP 2:

Attach the plus nut in the hole by turning the bolt forward using an impact with a 1/2" socket until the plusnut locks, then remove the bolt by turning the impact in reverse.



FORWARD

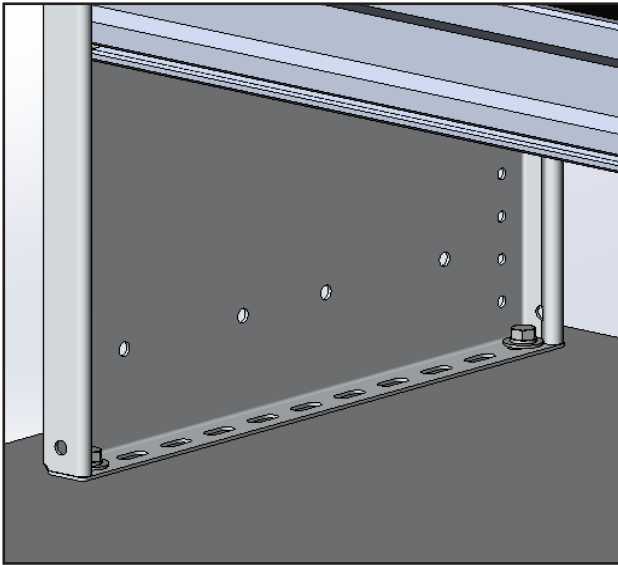
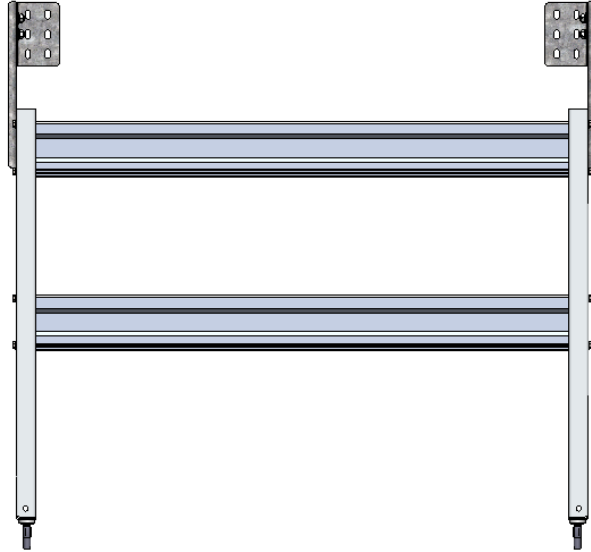


REVERSE

PHASE 2 – INSTALLATION

2.4 ATTACH SHELF UNIT TO THE FLOOR

2.4.1 Put the assembled shelf back in place aligning the holes to the plusnuts, then install the end panels to the plus nuts.

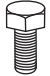






TOOLS

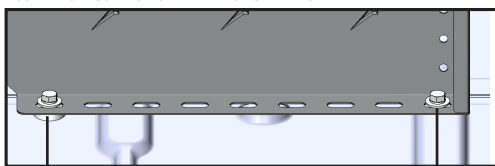
- ☐ Cordless Impact
- ☐ 1/2" Socket

HARDWARE USED

4x

-  #90-212 Hex Bolt 5/16" x 1-1/4"
-  #98-122 Lock Washer
-  #98-116 Flat Washer
-  #98-157 Spacers
(QTY = GAP BETWEEN FLOOR AND END PANEL)
-  #94-132 5/16" Plusnut

MOST VEHICLE USE 1 SPACER WHEN NOT OVER RIBS



W/ Spacer

W/O Spacer

PHASE 2 – INSTALLATION

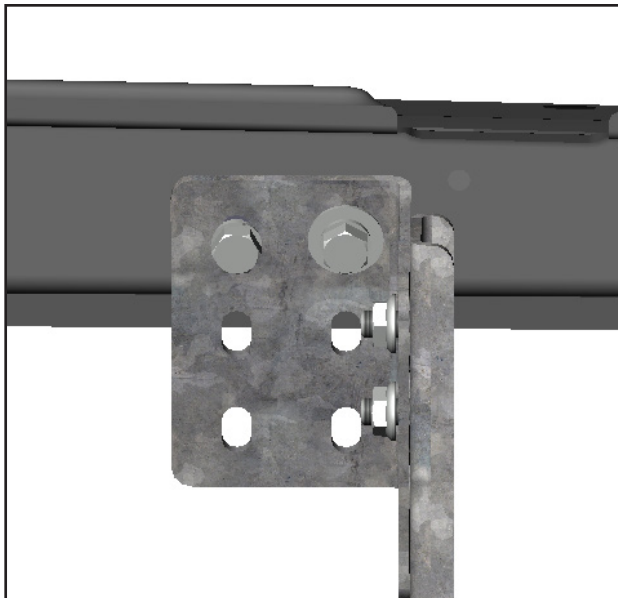
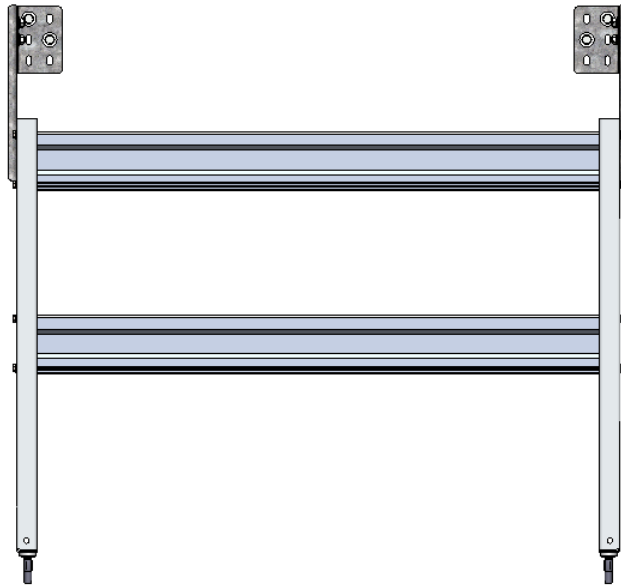
2.5 ATTACH WALL BRACKETS

2.5.1 Aligned the wall brackets to the plus nuts, then install the wall brackets to the structure of the truck or van.

NOTE: Tightened the bolts that used to attached the wall bracket to the structure of the truck or van 1st before the bolts that used to attached the wall bracket to the end panel.

IMPORTANT:

- For **Box Trucks** and **Ram C/V**, make sure that the shelving is securely fastened to the structure of the truck or van.
- After installation is completed, ensure all bolts are tightened.



TOOLS

- ☐ Cordless Impact
- ☐ 1/2" Socket

HARDWARE USED

4x

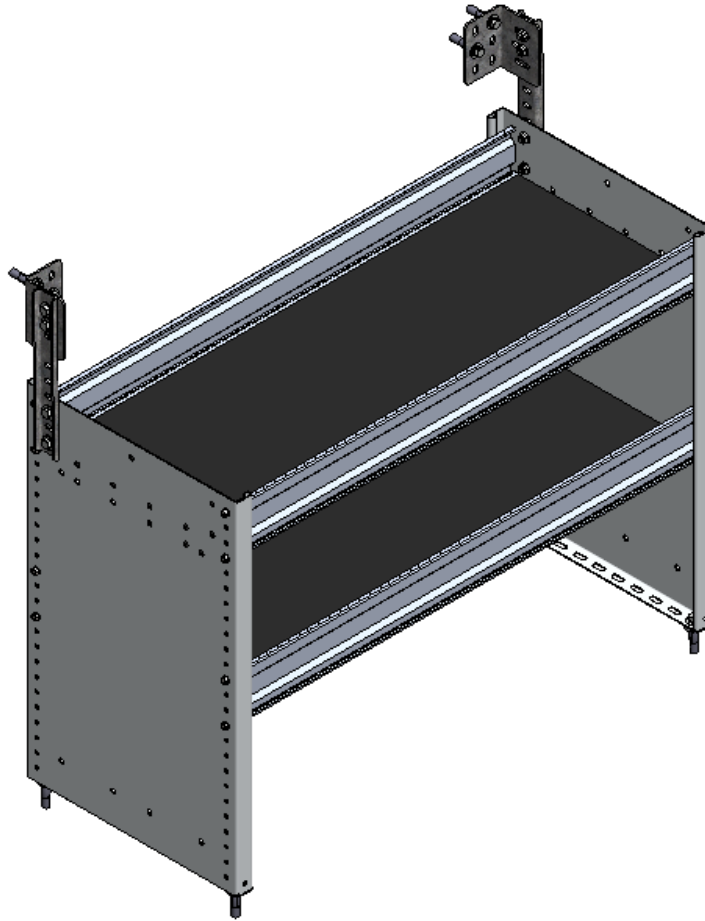


#90-212 Hex Bolt 5/16" x 1-1/4"

#98-122 Lock Washer

#98-116 Flat Washer

#94-132 5/16" Plusnut



**“You have successfully installed your
S2-RA36-2**

Thank you for doing business with us.”

For any feedback or suggestions you may have, please contact: cs@rangerdesign.com

