

INSTALLATION GUIDE



MAX RACK

1870-DH,	1880-DH,	1880-DH3
1870-FTL,	1880-FTL,	1880-FTL3
1870-FTR,	1880-FTR,	1880-FTR3
1870-PHL,	1880-PHL,	1880-PHL3
1870-PHM,	1880-PHM,	1880-PHM3
1870-PHS,	1880-PHS,	1880-PHS3
1870-PHX,	1880-PHX,	1880-PHX3






ORDER OF OPERATION

MAX RACK



 Click on this icon next to each unit to be redirected to the respective Install Guides.


STEP 1

16-UCD72  **16-UCDGS (for Savana)** 




STEP 2

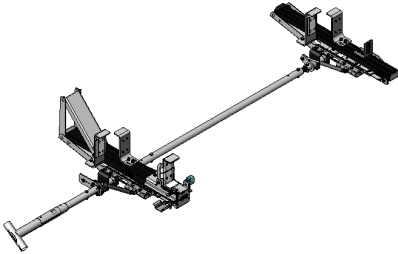
16-UCS72  **16-UCSGS (for Savana)** 




*Optional (for 1880-3 only)

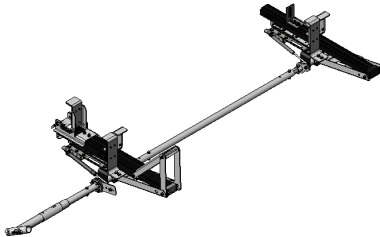
STEP 3a

18-U1810 

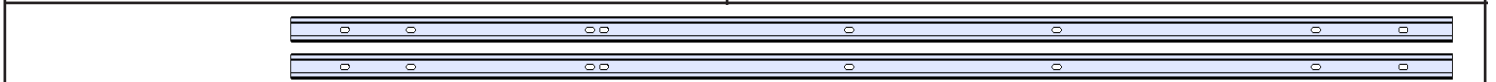











STEP 3b

18-U1815 



*Optional (for 1880 series or 1880-3 series)



	FORD		MERCEDES-BENZ	
STEP 4	TRANSIT 130"	18-U0042 	SPRINTER	18-U0018 
	TRANSIT 148"	18-U0030 	SPRINTER w/OEM Tracks	18-U0019 
	RAM		*Universal Bolt-Through foot Mounts	18-U0047 
	PROMASTER 118"	18-U0020 		
	PROMASTER 136"	18-U0022 		
	PROMASTER 159"	18-U0032 		
	PROMASTER 159" Ext.	18-U0034 		

*For 18-U0047: 1 kit per crossbar required.

STEP 5

18-U1807 