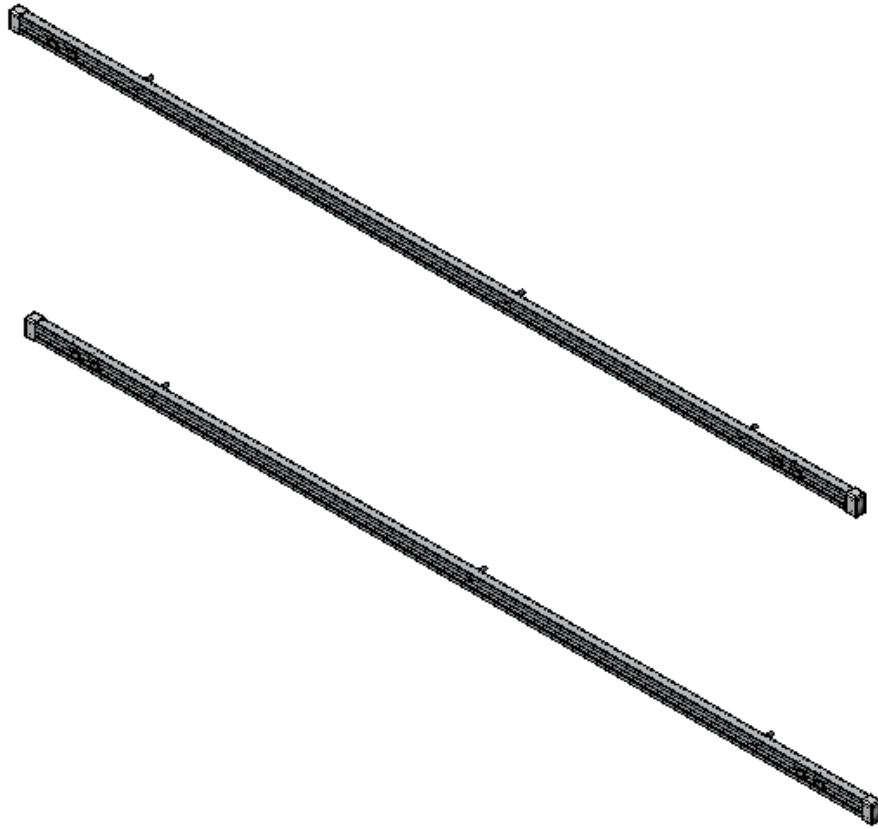


INSTALLATION GUIDE



6555-PX Install Track Kit

Promaster, Passenger Side



QUICK START GUIDE

Phase 1 - Assembly

- 1.1 Setup..... 3 - 4

Phase 2 - Installation

- 2.1 Mounting Track Installation..... 5 - 6
- 2.2 New Shelving Installation w/ Install Track Kit..... 7

REQUIRED ITEMS



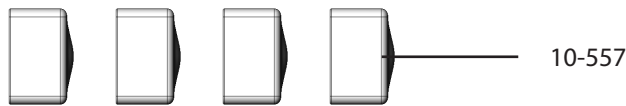
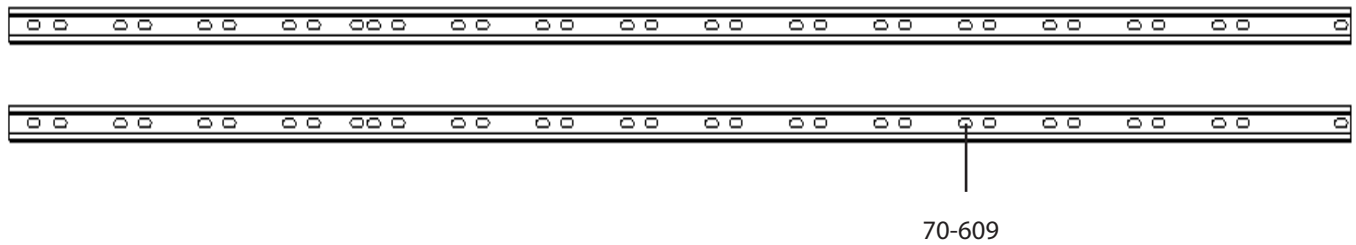
1
PERSON

- Cordless Impact
- Cordless Drill
- 1/4" Plusnut Gun or Plusnut Tools
- 3/8" Drill Bit
- 7/16" Socket
- 13mm Socket
- Tape Measure
- Marker

PHASE 1 – ASSEMBLY

1.1 SETUP

1.1.1 Unpack components; compare with the bill of materials.



1.1.2 Verify all parts are present.

BILL OF MATERIALS

Item No.	Description	Qty.
70 - 609	Mounting Track 87 - 1/2"	2
10 - 557	End Cap	4
96 - 6023	Customer Fastener Kit	1

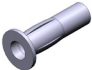
1.1.3 Fastener kits.


96-6023 Fastener Kit




Fastener Assembly





6x  # 90-110 Hex Bolt
1/4"-20 x 3/4"
GR-5 ZINC

6x  # 94-130 Plusnut .250

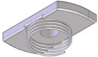
6x  # 98-112 Flat Washer
1/4", 3/4" OD
ZINC


6x  # 98-118 Lock Washer
Regular 1/4"
ZINC

6X FOR PLUSNUT



	#90-110 Hex Bolt 1/4" x 3/4"
	#98-118 Lock Washer
	#98-112 Flat Washer
	#94-130 Plusnut

FOR SHELVING INSTALL

8x  # 94-150 Channel Nut
5/16"

8x  # 90-208 Hex Bolt
5/16"-18 x 1"
GR-5 ZINC

8x

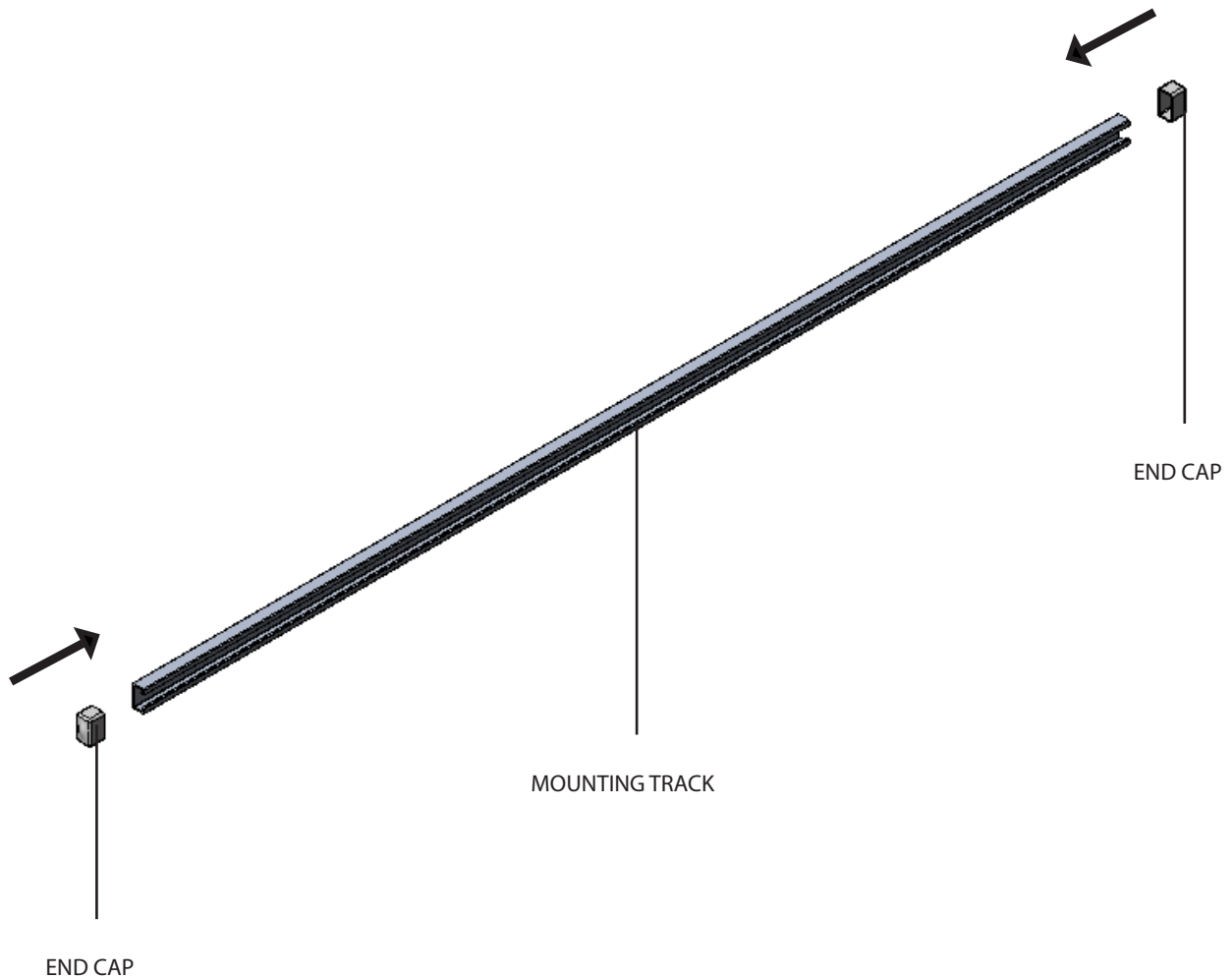
	#90-208 Hex Bolt 5/16" x 1"
	#94-150 Channel Nut

PHASE 2 – INSTALLATION

2.1 MOUNTING TRACK INSTALLATION

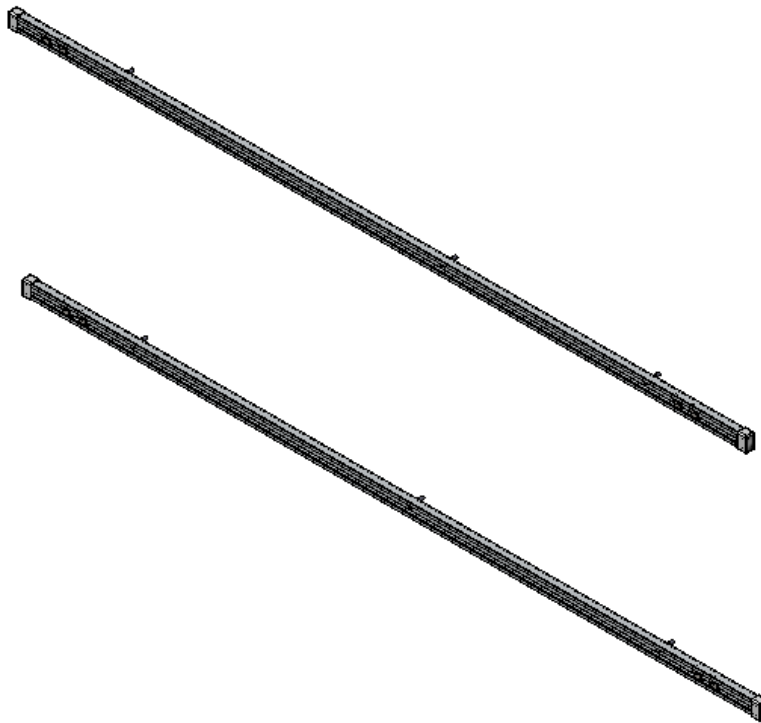
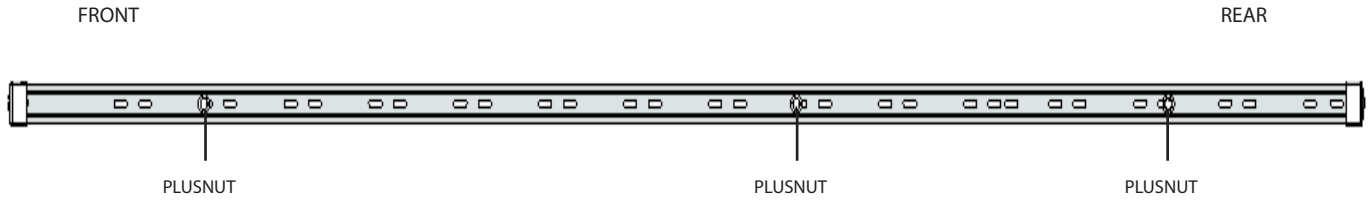
1.2.1 Attach one end cap on each side of the mounting tracks.

2x

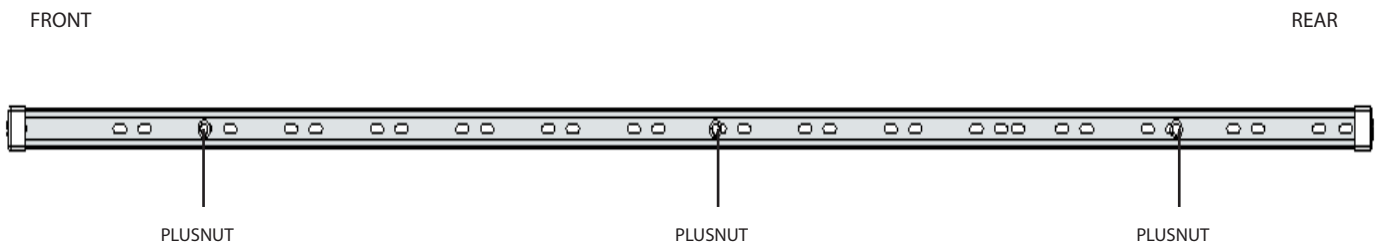


- 1.2.2 • Place the mounting tracks in the van, then mark the holes that need to be used to the used to van.
- Drill the mark, then attach plusnut to the van.
 - Install the mounting track after attaching the plusnut.

TOP



BOTTOM



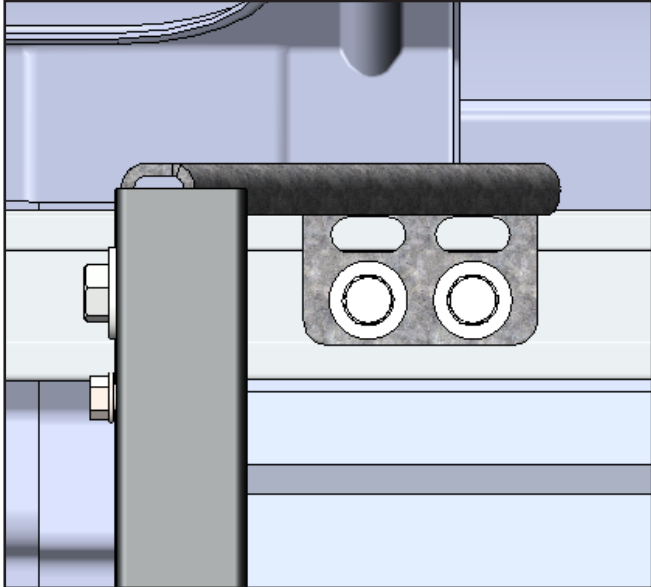
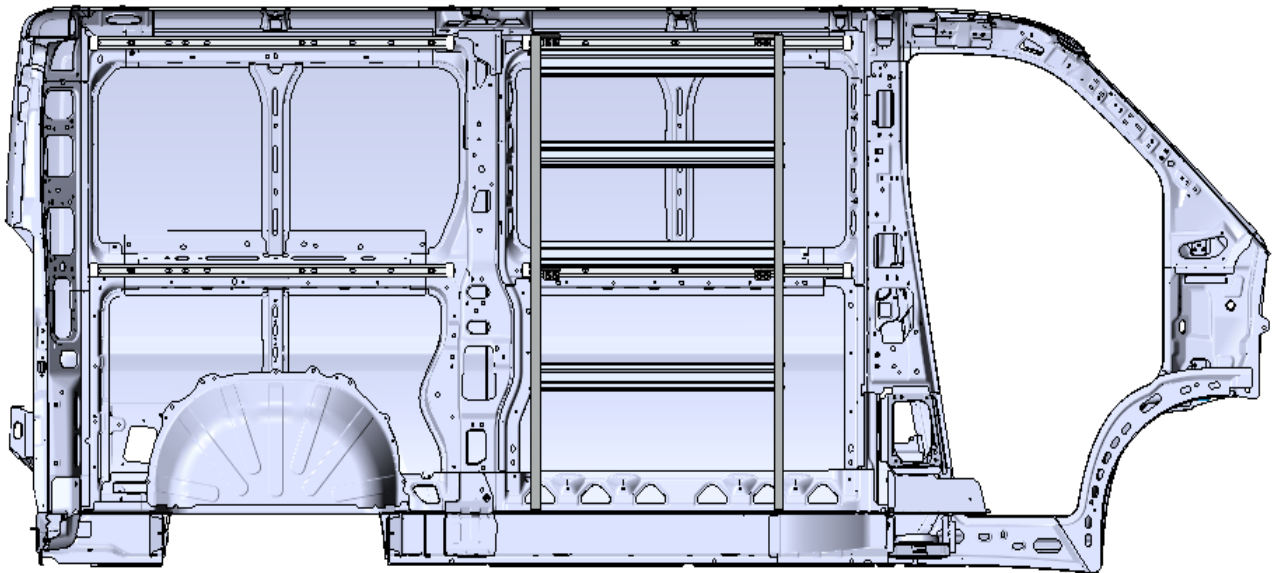
PHASE 2 – INSTALLATION

2.2 NEW SHELVING INSTALLATION W/ INSTALL TRACK KIT

2.2.1 Aligned the wall brackets to the wall mounting track kits, then install the wall brackets to the wall mounting track kits using channel nuts.

NOTE: Tightened the bolts that used to attached the wall bracket to the wall or wall kits 1st before the bolts that used to attached the wall bracket to the end panel.

IMPORTANT: After installation is completed, ensure all bolts are tightened.

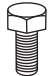





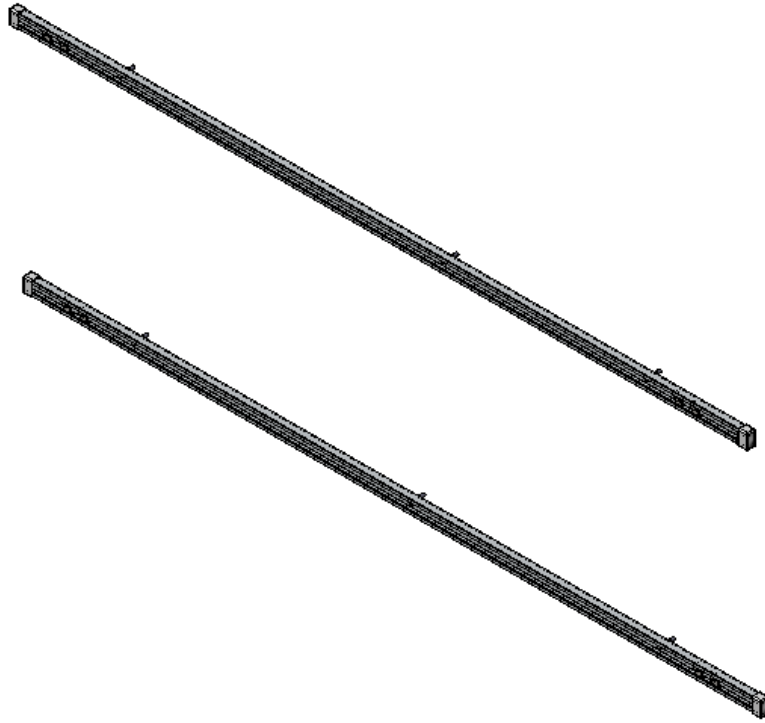
TOOLS

- Cordless Impact
- 1/2" Socket

FASTENERS USED

8X WALL KITS FASTENER KIT

	#90-208 Hex Bolt 5/16" x 1"
	#98-122 Lock Washer
	#98-116 Flat Washer
	#94-150 Channel Nut



"You have successfully installed your
6555-PX

Thank you for doing business with us."

For any feedback or suggestions you may have, please contact: cs@rangerdesign.com

