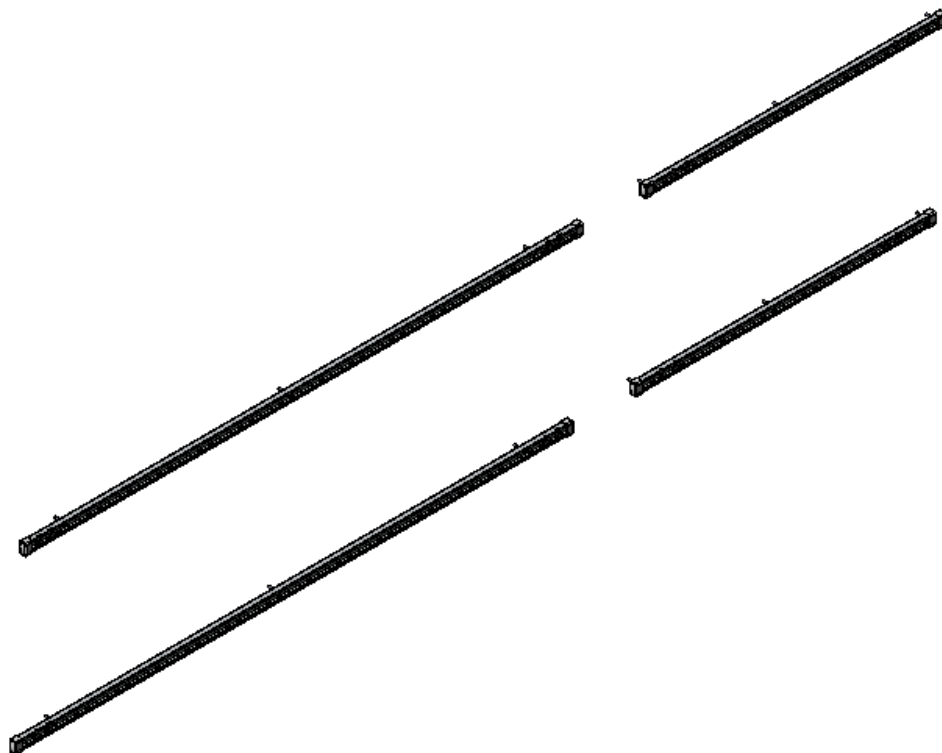


INSTALLATION GUIDE



6550-PX Install Track Kit

Promaster, Driver Side



QUICK START GUIDE

Phase 1 - Assembly

1.1 Setup..... 3 - 4

Phase 2 - Installation

2.1 Mounting Track Installation..... 5 - 6
 2.2 New Shelving Installation w/ Install Track Kit..... 7

REQUIRED ITEMS



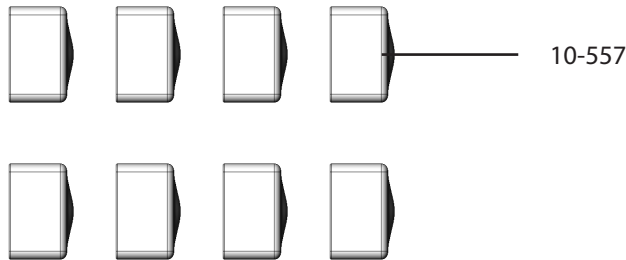
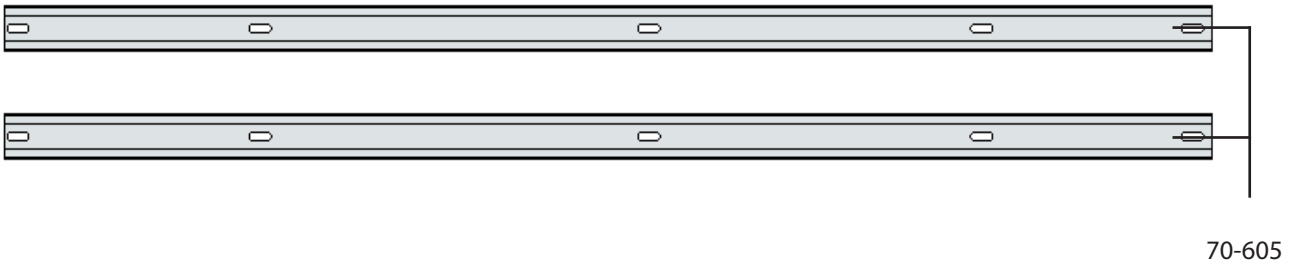
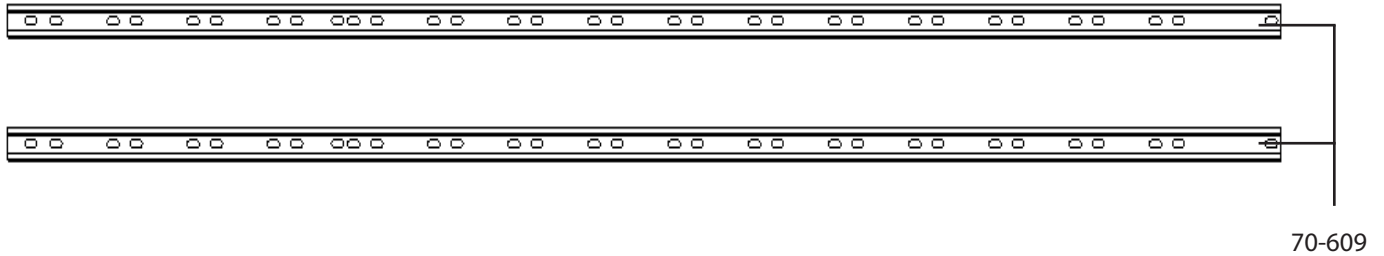
1
PERSON

- Cordless Impact
- Cordless Drill
- 1/4" Plusnut Gun or Plusnut Tools
- 3/8" Drill Bit
- 7/16" Socket
- 13mm Socket
- Tape Measure
- Marker

PHASE 1 – ASSEMBLY

1.1 SETUP

1.1.1 Unpack components; compare with the bill of materials.



1.1.2 Verify all parts are present.

BILL OF MATERIALS

Item No.	Description	Qty.
10 - 609	Mounting Track 87 - 1/2"	2
10 - 605	Mounting Track 47"	2
10 - 557	End Cap	8
96 - 6022	Customer Fastener Kit	1

1.1.3 Fastener kits.

96-6022 Fastener Kit



Fastener Assembly

12x



90-110

Hex Bolt
1/4"-20 x 3/4"
GR-5 ZINC

12x



94-130

Plusnut .250

12x



98-112

Flat Washer
1/4", 3/4" OD
ZINC

12x



98-118

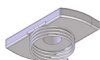
Lock Washer
Regular 1/4"
ZINC

12x FOR PLUSNUT

	#90-110 Hex Bolt 1/4" x 3/4"
	#98-118 Lock Washer
	#98-112 Flat Washer
	#94-130 Plus nut

FOR SHELVING INSTALL

16x



94-150

Channel Nut
5/16"

16x



90-208

Hex Bolt
5/16"-18 x 1"
GR-5 ZINC

16x

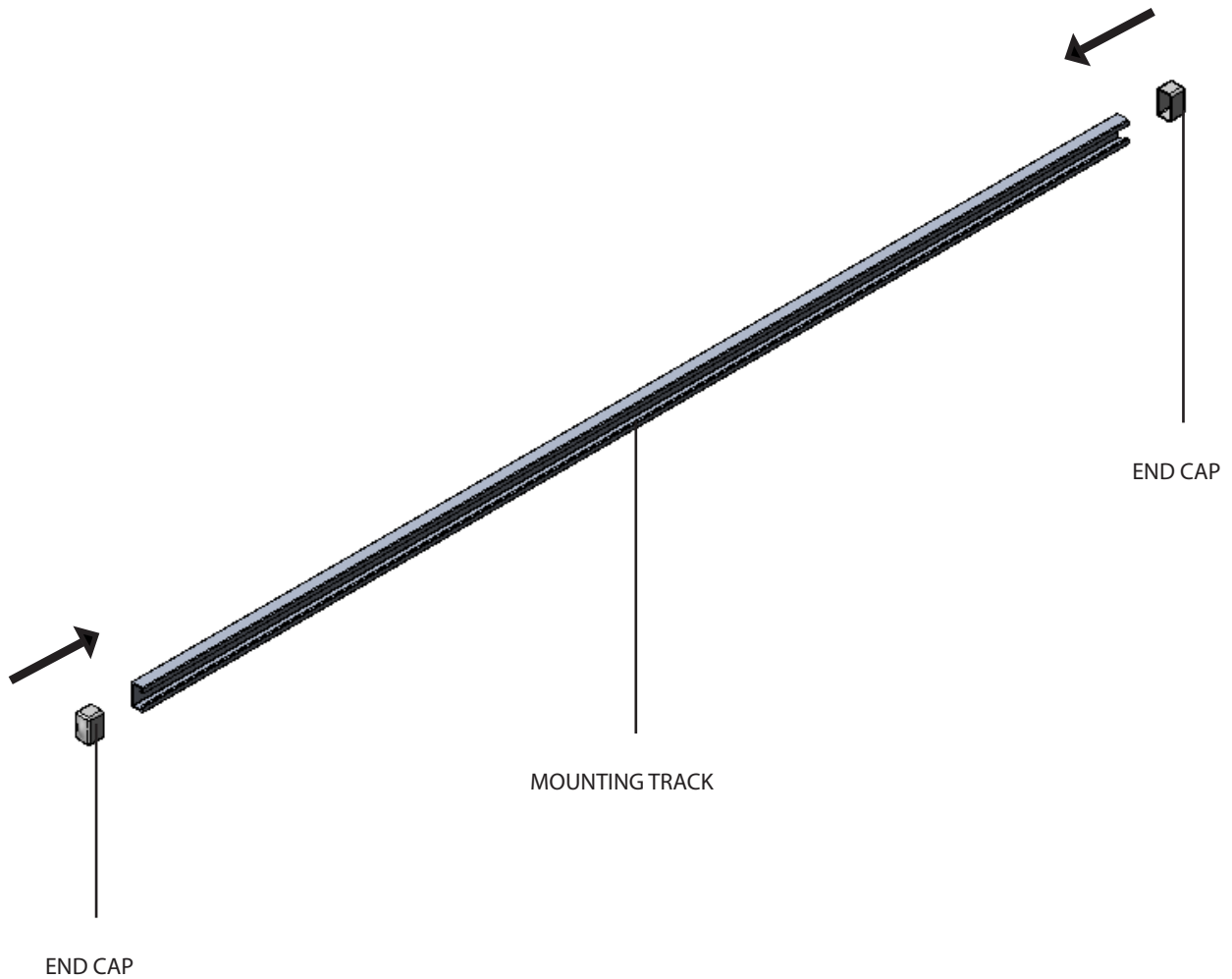
	#90-208 Hex Bolt 5/16" x 1"
	#94-150 Channel Nut

PHASE 2 – INSTALLATION

2.1 MOUNTING TRACK INSTALLATION

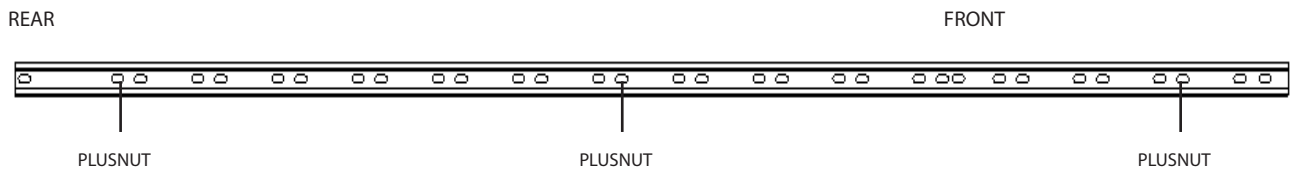
1.2.1 Attach one end cap on each side of the mounting tracks.

4×

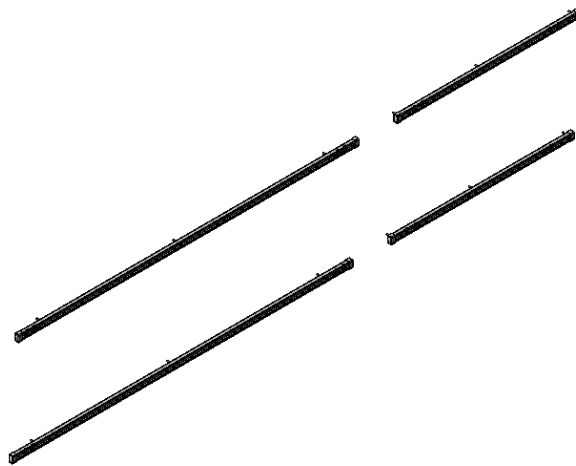
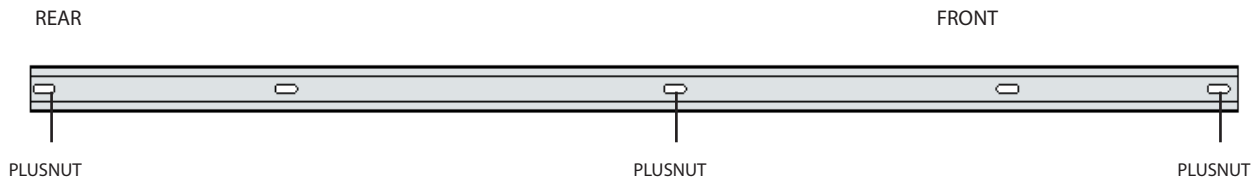


- 1.2.2 • Place the mounting tracks in the van, then mark the holes that need to used to van.
- Attach plusnut to the van, then install the mounting track.

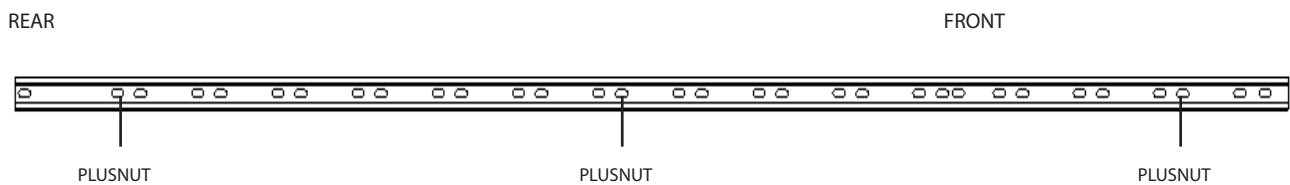
TOP REAR



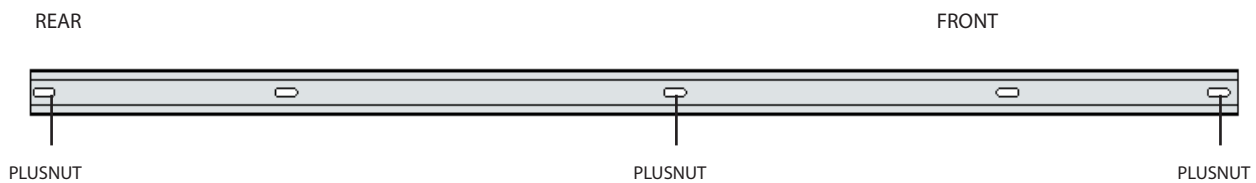
TOP FRONT



BOTTOM REAR



BOTTOM FRONT



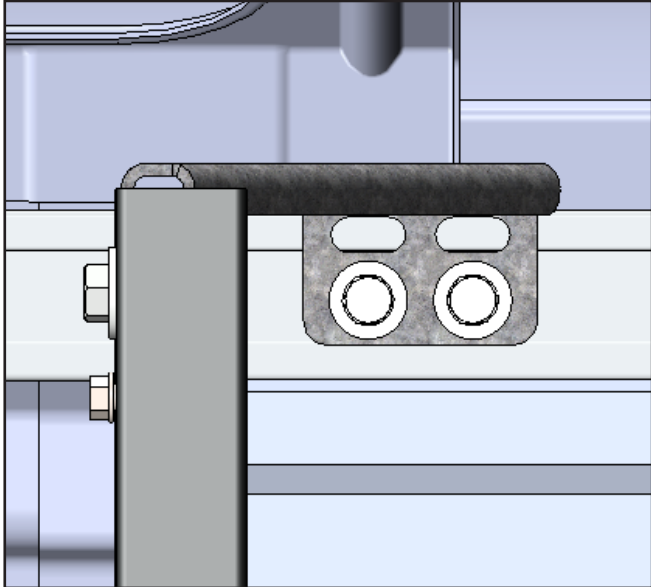
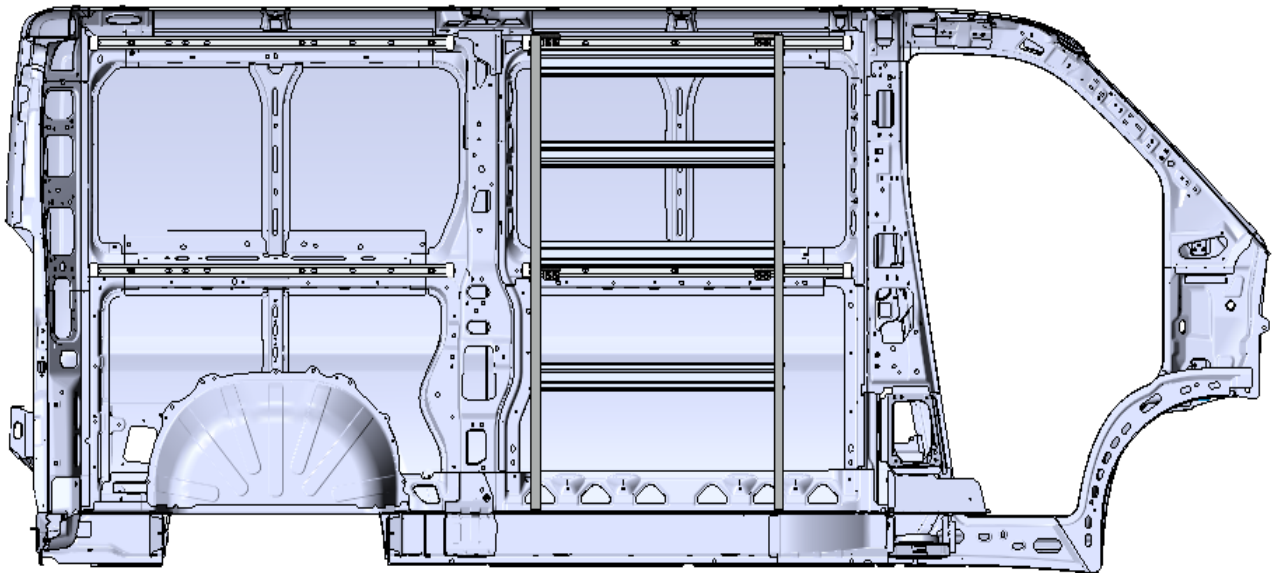
PHASE 2 – INSTALLATION

2.2 NEW SHELVING INSTALLATION W/ INSTALL TRACK KIT

2.2.1 Aligned the wall brackets to the wall mounting track kits, then install the wall brackets to the wall mounting track kits using channel nuts.

NOTE: Tightened the bolts that used to attached the wall bracket to the wall or wall kits 1st before the bolts that used to attached the wall bracket to the end panel.

IMPORTANT: After installation is completed, ensure all bolts are tightened.

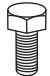





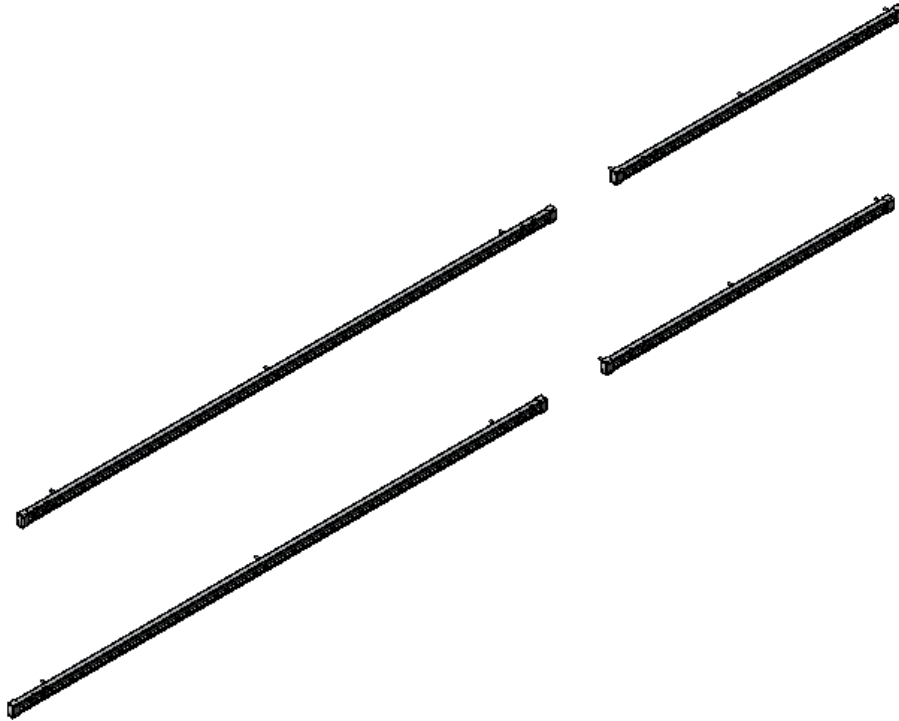
TOOLS

- Cordless Impact
- 1/2" Socket

FASTENERS USED

8X WALL KITS FASTENER KIT

	#90-208 Hex Bolt 5/16" x 1"
	#98-122 Lock Washer
	#98-116 Flat Washer
	#94-150 Channel Nut



“You have successfully installed your
6550-PX

Thank you for doing business with us.”

For any feedback or suggestions you may have, please contact: cs@rangerdesign.com

