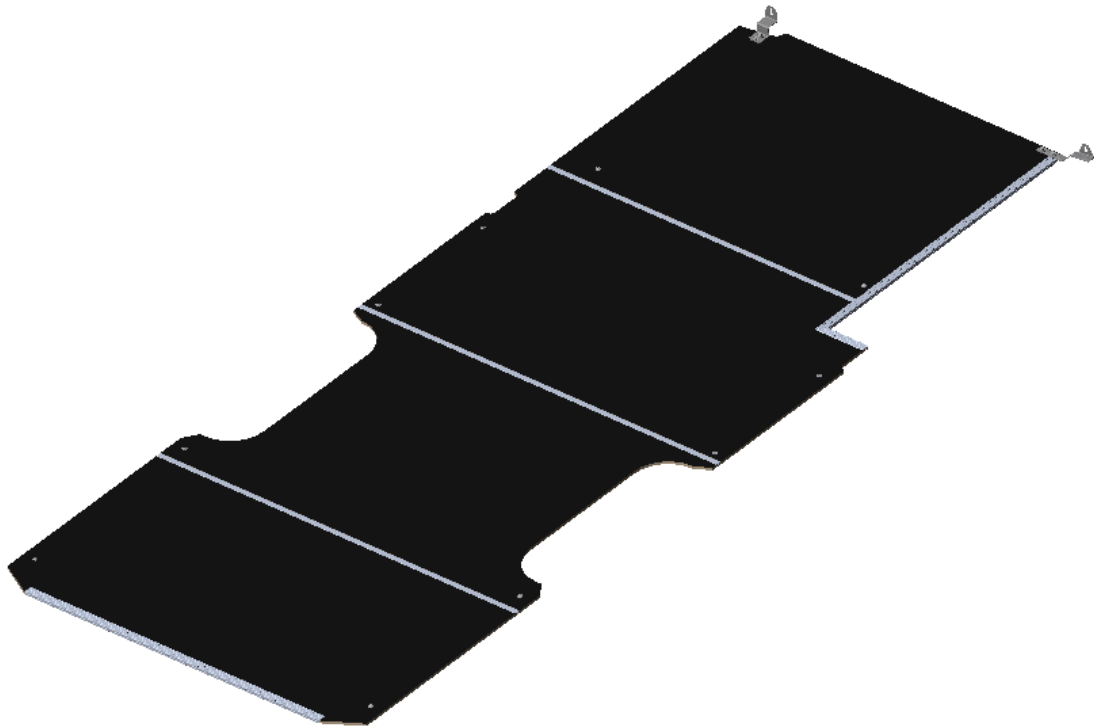


INSTALLATION GUIDE



6541-DX FLOOR

Sprinter (170" EXT Wheelbase)



Scan the QR for the latest Install-Guide.





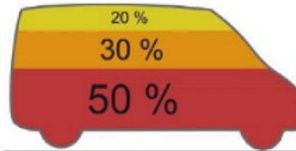
BEFORE YOU BEGIN

READ, UNDERSTAND, AND FOLLOW ALL WARNINGS AND INSTRUCTIONS BEFORE USING THIS PRODUCT. FAILURE TO FOLLOW THESE DIRECTIONS MAY RESULT IN PROPERTY DAMAGE, SERIOUS BODILY INJURY, AND/OR DEATH. RANGER DESIGN IS NOT RESPONSIBLE FOR ANY PROPERTY DAMAGE, PERSONAL INJURY, OR DEATH THAT OCCURRED WHILE USING ANY RANGER DESIGN PRODUCTS.



WARNING

- Failure to use Ranger Design-provided fasteners, brackets, and proper installation guidelines could increase risk of serious personal injury and/or death.
- If drilling is required to complete this installation: improper drilling can cause property damage to vehicles and could lead to electric shock, fire, or even death.
- If drilling is required to complete this installation: Ensure that drilling is only performed on areas of the vehicle allowed by the vehicle's Original Equipment Manufacturer's Body Builders Layout Book (or equivalent document).
- Prior to installation, inspect the vehicle to ensure that installation will not interfere with, or cause obstruction of, any critical components such as electrical wiring, fuel tanks, fuel-cells, locks, latches, etc.
- The installer or manufacturer is responsible for ensuring anchorages are installed onto suitable wall and floor structures; wall and floor strength must meet applicable performance requirements.
- Do not install systems into any weak or unsound materials such as plastics, woods, thin-walled metals, etc. without proper reinforcement.
- Do not install this product where it could interfere with the deployment of airbags. Failure to comply could result in death or serious injury.
- Do not install this product where it could ingress on the Transit Occupant Protection Zone. Failure to comply could result in death or serious injury.
- Incorrect installation could cause water leaks, electric shock or fire.
- Any cargo vehicle with any cargo or equipment should use a certified partition. See Ranger Design website for some partition options. (<https://rangerdesign.com/>)
- Mountings rails are recommended for any attachment to the vehicle walls.
- All items in the cargo area should be properly secured and partition doors closed while the vehicle is in motion.
- Check your vehicle's tare weight and remaining load capacity with all the equipment installed. Never exceed the maximum Gross Vehicle Weight Rating (GVWR), Gross Axle Weight Ratings (GAWRs), or other maximum loads permitted by the vehicle's Original Equipment Manufacturer (OEM) and required by law.
- The heaviest items must be placed towards the bottom of the vehicle, while the lightest ones can be arranged upwards. Vehicle cargo loading weight proportion should follow the following guidelines:



- The final alterer and/ or modifier should review the warning sheet with the customer before the vehicle is released to the customer or for general use. These instructions should remain with the vehicles a all times.
- Any modification or unintended use of this product voids any warranty and could create a hazardous condition.
- Ranger Design provides recommended assembly and installation instructions which should be followed to ensure correct operation. Failure to do so could result in invalidating the product's compliance, warranty and cause injury. Notwithstanding, the final stage vehicle alterer and/or modifier is responsible for the integration, installation, and compliance of the product in its final location to all applicable regulations and standards. Failure to maintain compliance of the vehicle to applicable regulations and standards could be punishable by law. Alterers and/or modifiers should consult with all local authorities prior to commissioning.



CAUTION

- Drilling is required to complete this installation. Before drilling, ensure that you will not hit any critical parts of the vehicle like the gas tank, wiring harness, or hose. Consult the vehicle OEM documentation as necessary. When drilling, use a drill collar to reduce the risk of damage to the vehicle.
- Any materials, padding, or glazing installed in the vehicle must comply with FMVSS/CMVSS 201/205/302, as applicable.
- In the event of a motor vehicle accident or collision where a Ranger system has been installed, especially ones where the vehicle structure is damaged and/or the air bags deploy and/or the vehicle has been towed, the system must be inspected to ensure continued soundness and safety before returning the vehicle to service. Damaged components should be replaced as necessary.
- All system components should be regularly inspected, cleaned, and maintained pursuant to Ranger guidelines.

QUICK START GUIDE

Phase 1 - Assembly

- 1.1 Setup..... 4

Phase 2 - Installation

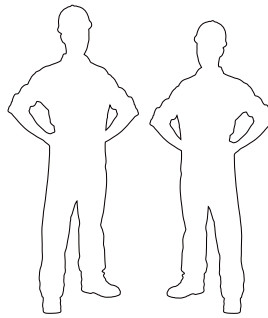
- 2.1 Install Preparation.....6
- 2.2 Floor Installation..... 6

Phase 3 - Add-ons

- 3.1 Typical Unit Installation.....11

REQUIRED ITEMS

- Tape Measure
- Rubber Mallet
- Hex Key 13mm
- Hex Key 5mm
- Torx Key T45
- Socket 1/2"
- Wrench 1/2"
- Drill
- Drill Stop Collar
- Drill Bit 7/16"
- Marker

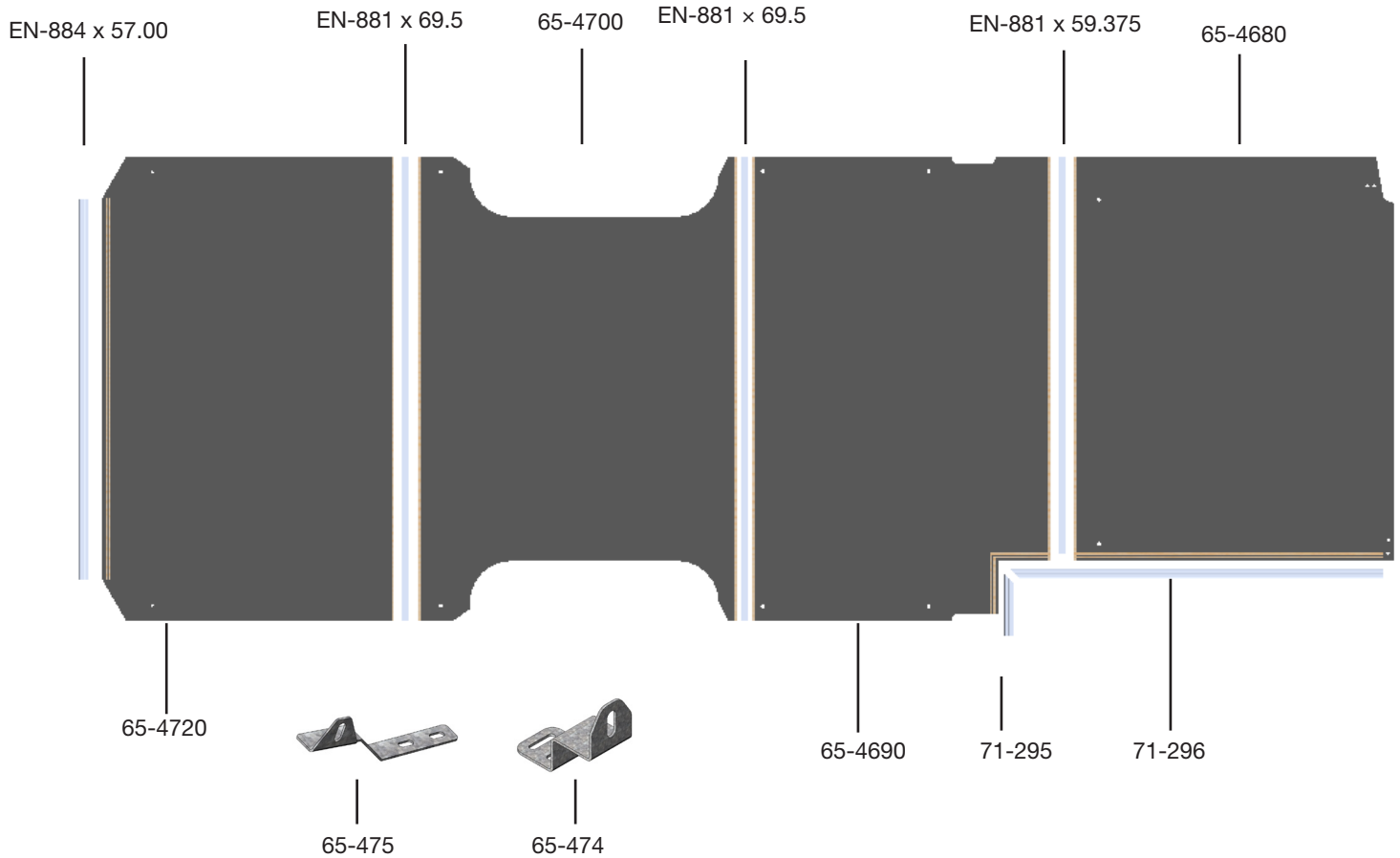


2
PERSONS

PHASE 1 – ASSEMBLY

1.1 SETUP

1.1.1 Unpack components; compare with the bill of materials.



1.1.2 Verify all parts are present.

BILL OF MATERIALS

Item No.	Description	Qty.
65-4680	Sprinter E-Floor Front Panel	1
65-4690	Sprinter E-Floor Middle Front Panel	1
65-4700	Sprinter E-Floor Middle Rear Panel	1
65-4720	Sprinter E-Floor Rear Panel	1
65-474	Sprinter E-Floor B-Pillar Barcket, DS	1
65-475	Sprinter E-Floor B-Pillar Barcket, PS	1
71-295	Floor Sill Extrusion, 9.31" W/ One 45 DEG Cut	1
71-296	Floor Sill Extrusion, 55.69" W/ One 45 DEG Cut	1
94-6507	Assembly Fastener Kit	1
96-6500	Fastener Kit	1
EN-844 x 57.00	57" Floor Sill Extrusion	1
EN-881 x 59.375	I-Beam Extrusion, 59.375"	1
EN-881 x 69.5	I-Beam Extrusion, 69.5"	2

1.1.3 Fastener kits.



96-6500 Fastener Kit



Fastener Install

- 30x  # 90-204 Hex Bolt 5/16"-18 x 3/4" ZINC
- 30x  # 99-114 Wood Inserts 5/16"-18 x 13mm ZINC




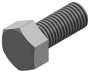



30x

 #90-204 Hex Bolt 5/16" x 3/4"
 #99-114 Wood Inserts 5/16"x13mm

94-6507 Fastener Kit





Fastener Install

- 10x  # 90-022 Button Head Torx M8-1.25 x 40mm ZINC
- 2x  # 90-023 Guide Pin M8-1.25 x 45mm
- 10x  # 98-157 Spacer 0.375" ID, 1" OD, 0.313" Thick Nylon
- 4x  # 90-204 Hex Bolt 5/16"-18 x 3/4" ZINC
- 4x  # 98-122 Lock Washer 5/16" ZINC
- 16x  # 98-116 Flat Washer 5/16" x 18 ZINC
- 4x  # 99-114 Wood Inserts 5/16"-18 x 13mm ZINC





10x

 #90-022 Button Head Torx M8-1.125" x 40mm
 #98-116 Flat Washer
 #98-157 Nylon Spacer

2x

 #90-022 Button Head Torx M8-1.125" x 40mm
 #98-116 Flat Washer

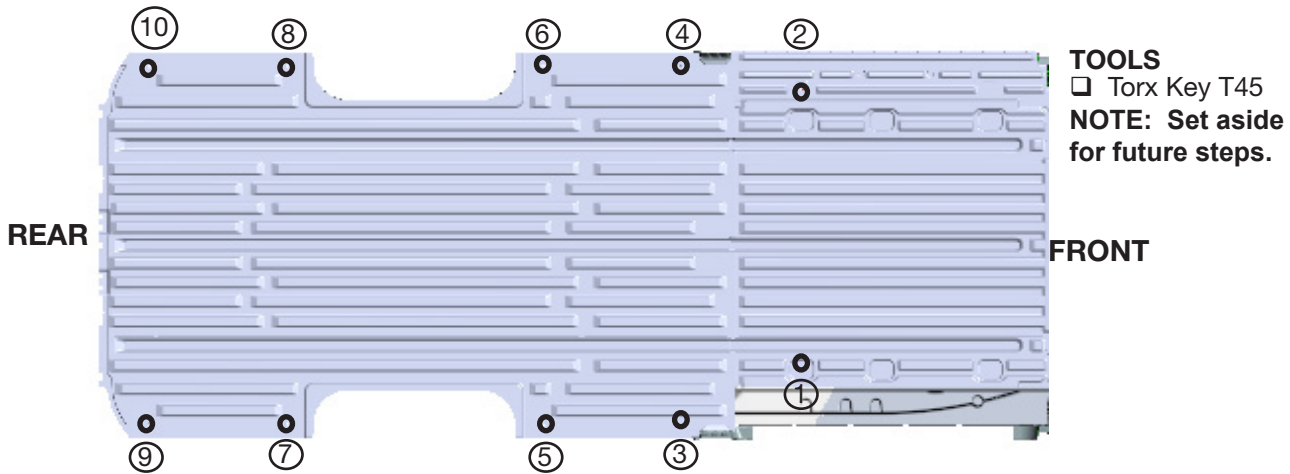
4x

 #90-204 Hex Bolt 5/16" x 3/4"
 #98-122 Lock Washer
 #98-116 Flat Washer
 #99-114 Wood Inserts 5/16"x13mm

PHASE 2 – INSTALLATION

2.1 INSTALL PREPARATION

2.1.1 Remove all the D-rings on the floor.



2.2 FLOOR INSTALLATION

2.2.1 Place guide-pin & spacers in marked locations



90-023
98-157

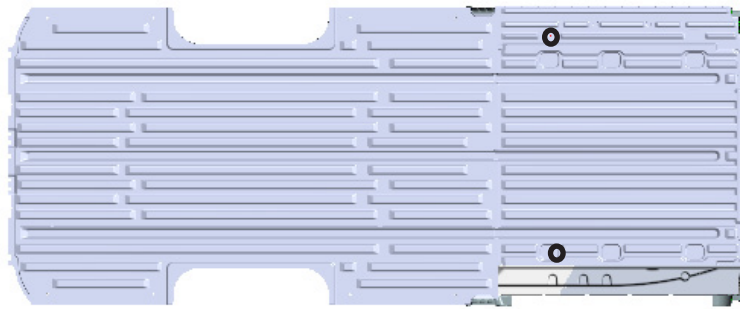
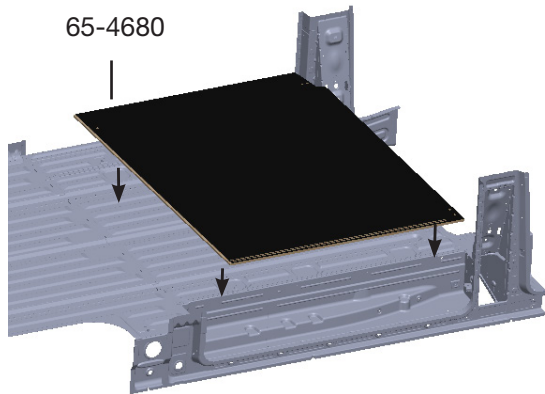
Guide pin (90-023) does not need to be fully threaded. This is to prevent the spacers from moving when installing the floor.

TOOLS
□ Hex Key 5mm

HARDWARE USED
2X

#90-023 Guide pin
#98-157 Spacer

2.2.2 Place floor, remove pins and set aside for later, add hardware & D-rings.



TOOLS

- ☐ T45 Torx key

HARDWARE USED

2x (11 ft • lbs)

- #90-022 Button Head Torx
- #98-116 Flat Washer Steel
- D-Ring
- Floor
- #98-157 Spacer - installed in previous step

2.2.3 Install B-pillar bracket.

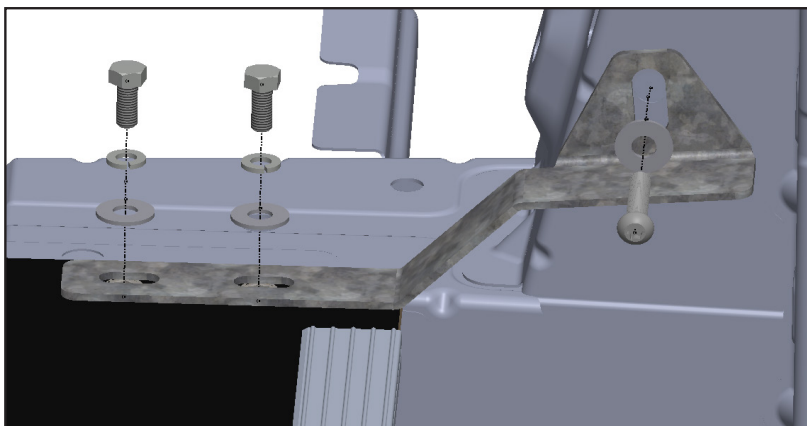
TOOLS

- ☐ Impact
- ☐ 1/2" Socket
- ☐ 13mm hex key

HARDWARE USED

2x (12 ft • lbs)

- #90-204 Hex Bolt
- #98-112 Lock Washer
- #98-116 Flat WasherZINC
- #99-114 Wood Inserts



TOOLS

- ☐ T45 Socket
- ☐ Impact
- ☐ 1/2" Socket
- ☐ 13mm hex key

HARDWARE USED

1x (11 ft • lbs)

- #90-022 Button Head Torx
- #98-116 Flat Washer





2.2.4 Install B-pillar bracket.

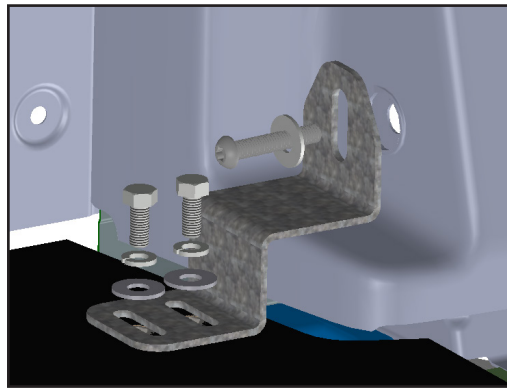
TOOLS

- Impact
- 1/2" Socket
- 13mm hex key

HARDWARE USED

2x (12 ft • lbs)

-  #90-204 Hex Bolt
-  #98-112 Lock Washer
-  #98-116 Flat WasherZINC
-  #99-114 Wood Inserts





TOOLS

- T45 Socket
- Impact
- 1/2" Socket
- 13mm hex key

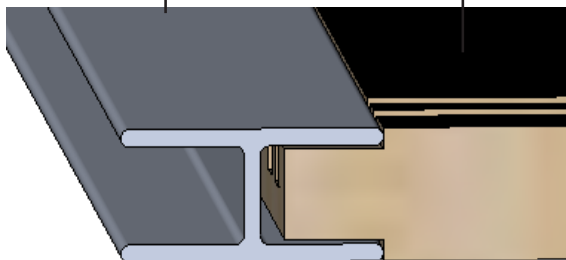
HARDWARE USED

1x (11 ft • lbs)

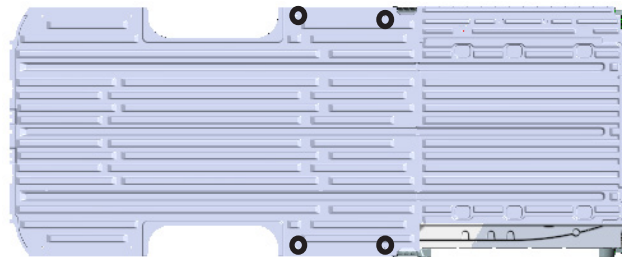
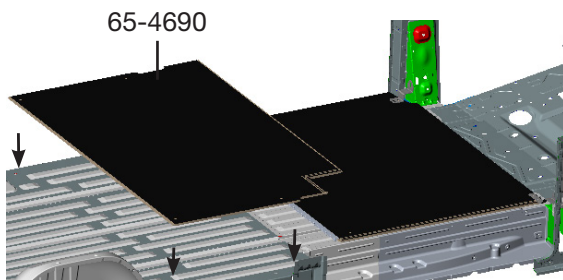
-  #90-022 Button Head Torx
-  #98-116 Flat Washer

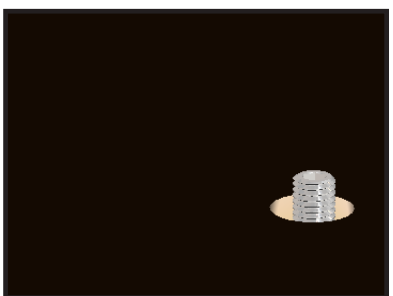
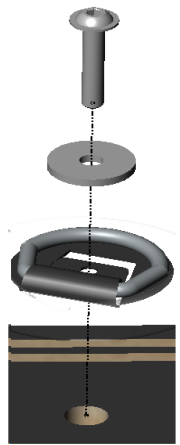
2.2.5 Install "I" beam to first floor piece.

EN-881 x 59.375 65-4680



2.2.6 Add guide pins, place floor, remove pins and set aside for future steps, add hardware & d-rings.







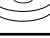



TOOLS

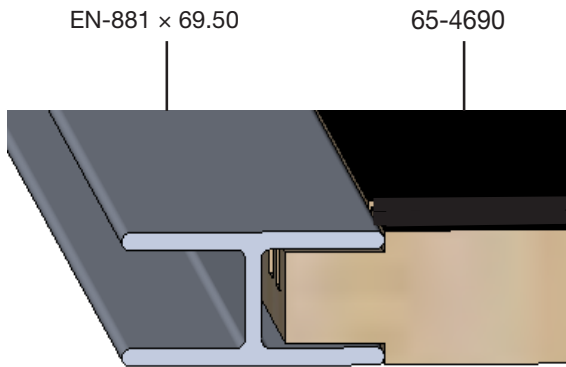
- T45 Torx key

HARDWARE USED

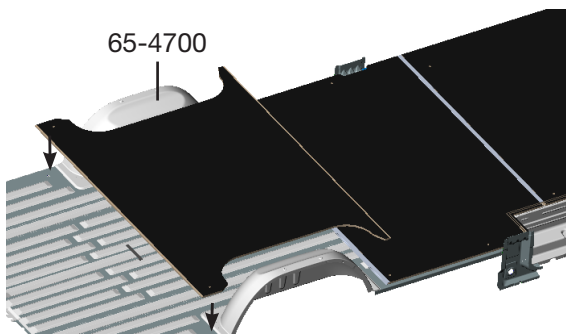
4x (11 ft • lbs)


-  #90-022 Button Head Torx
-  #98-116 Flat Washer Steel
-  D-Ring
-  Floor
-  #98-157 Spacer - installed in previous step

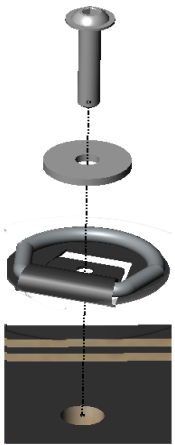
2.2.7 Install “I” beam to second floor piece.



2.2.8 Add guide pins, place floor, remove pins and set aside for future steps, add hardware & d-rings.












TOOLS

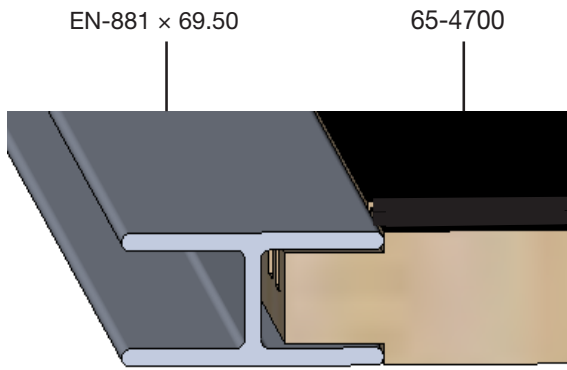
- T45 Torx key

HARDWARE USED

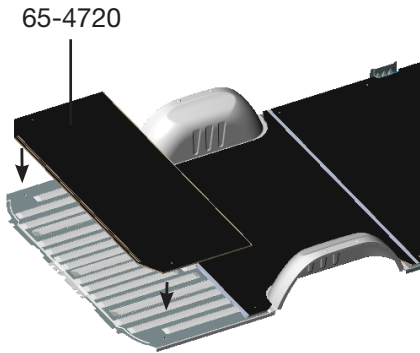
2x (11 ft • lbs)

-  #90-022 Button Head Torx
-  #98-116 Flat Washer Steel
-  D-Ring
-  Floor
-  #98-157 Spacer - installed in previous step

2.2.9 Install “I” beam to third floor piece.



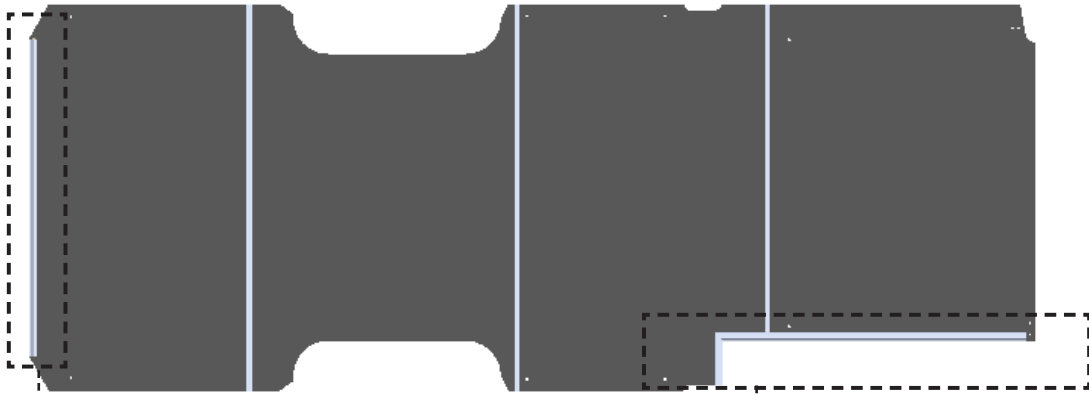
2.2.10 Add guide pins, place floor, remove pins and add hardware & d-rings.



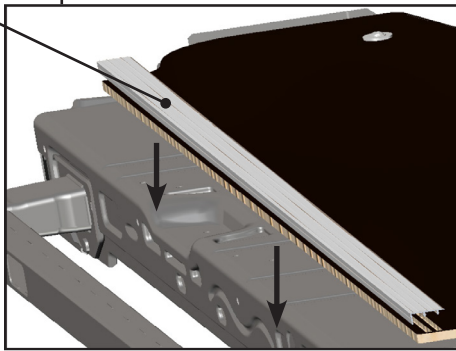
		<p>TOOLS</p> <ul style="list-style-type: none"> □ T45 Torx key
		<p>HARDWARE USED</p> <p>2x (11 ft • lbs)</p> <ul style="list-style-type: none"> #90-022 Button Head Torx #98-116 Flat Washer Steel D-Ring Floor #98-157 Spacer - installed in previous step

2.2.6 Install FRONT & REAR sill extrusion.

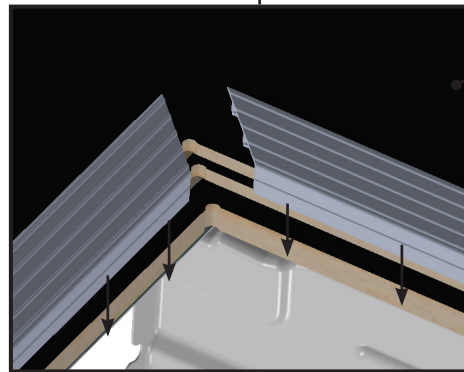
FRONT & REAR SILL INSTALLATION



EN-884 x 57.00



71-296



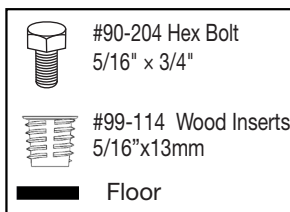
TOOLS

- Rubber Mallet

NOTE: Line up sill extrusion correctly before pressing it in. Use rubber mallet when needed.

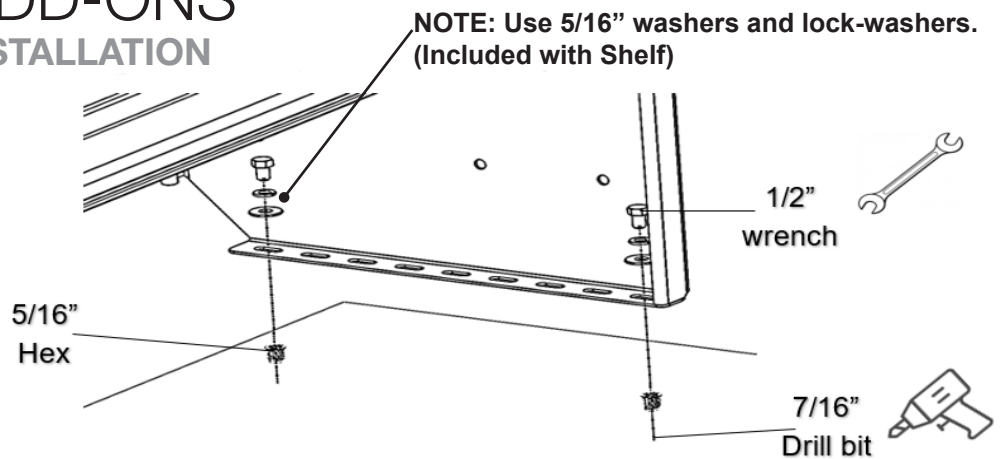
PHASE 3 – ADD-ONS

3.1 TYPICAL UNIT INSTALLATION



TOOLS

- Hex Key 5/16"
- Drill
- Drill Stop Collar
- Drill Bit 7/16"
- Wrench 1/2"



"You have successfully installed your E-Floor, thank you for doing business with us."

For any feedback or suggestions, you may have, please contact: cs@rangerdesign.com