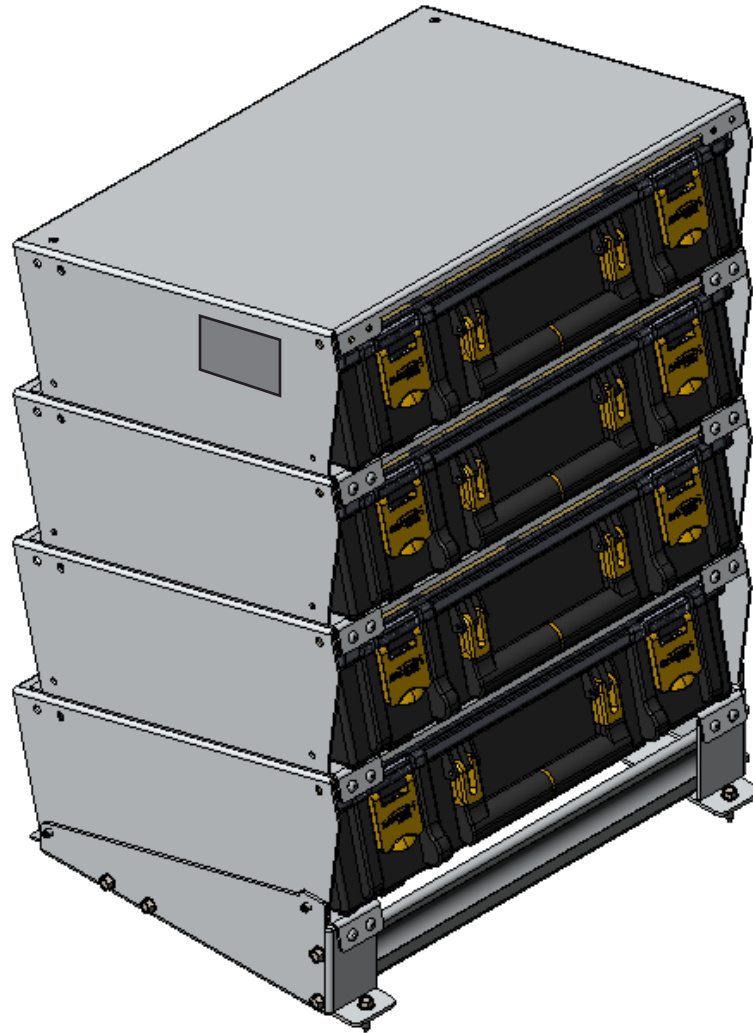


INSTALLATION GUIDE



62-U5074 Partskeeper Carry Case (ALUMINUM)

QUICK START GUIDE

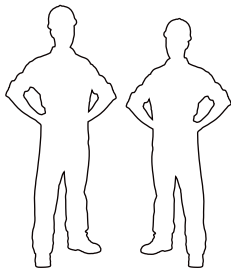
Phase 1 - Assembly

- 1.1 Setup..... 3 - 4
- 1.2 Partskeeper Holder & Base Assembly..... 4 - 5

Phase 2 - Installation

- 2.1 Partskeeper Carry case Installation..... 6

REQUIRED ITEMS



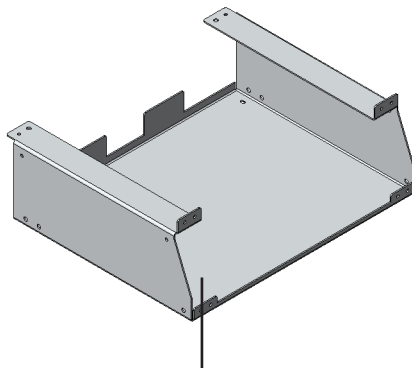
2
PERSONS

- Cordless Impact
- Rivet Gun
- 3/8" Driver Bit

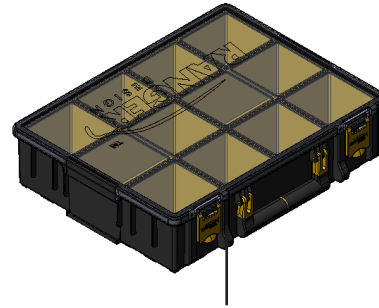
PHASE 1 – ASSEMBLY

1.1 SETUP

1.1.1 Unpack components; compare with the bill of materials.



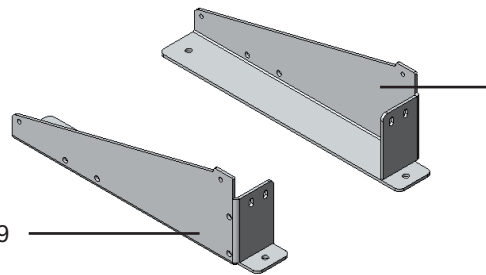
50-700



62-U5079



EN - 410 x 17"



50-710

50-709

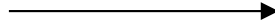
1.1.2 Verify all parts are present.

BILL OF MATERIALS

| Item No. | Description | Qty. |
|----------------|--------------------------|------|
| 50-700 | Partskeeper Holder | 4 |
| 50-709 | Tilted Left Side Base | 1 |
| 50-710 | Tilted Right Side Base | 1 |
| 62-U5079 | Plastic Partskeeper Case | 4 |
| EN - 410 x 17" | Bin Extrusion, 17" | 2 |
| 94-5016 | Assembly Fastener Kit | 1 |
| 96-5016 | Install Fastener Kit | 1 |

1.1.3 Fastener kits.

94 - 5016 Fastener Kit



Fastener Assembly

18x



96-202

Closed Rivet
3/16" x 1/4"
ALUM/STEEL

18x



#96-202 Closed Rivet

8x



92-102

Screw HWH
#14 x 1"
ZINC

8x



#92-102 Screw #14 x 1"

96 - 5016 Fastener Kit



Fastener Assembly

8x



96-202

Closed Rivet
3/16" x 1/4"
ALUM/STEEL

8x



#96-202 Closed Rivet

4x



92-102

Screw HWH
#14 x 1"
ZINC

4x

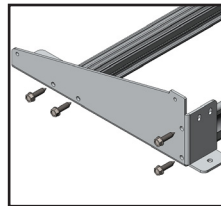
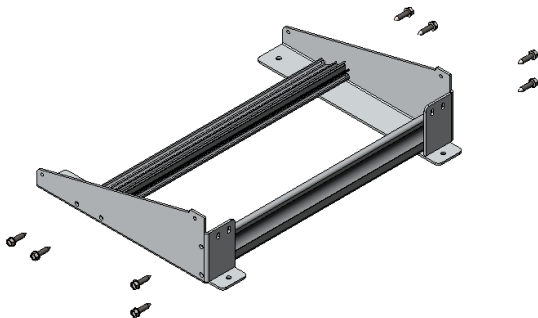


#92-102 Screw #14 x 1"

PHASE 1 – ASSEMBLY

1.2 PARTSKEEPER HOLDER & BASE ASSEMBLY

1.2.1 Attach the bin extrusion to the left and right side base.



TOOLS

- Cordless Impact
- 3/8" Bit

HARDWARE USED

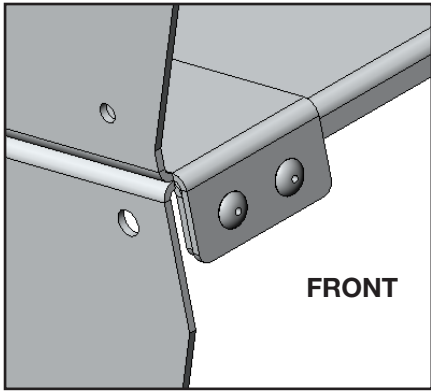
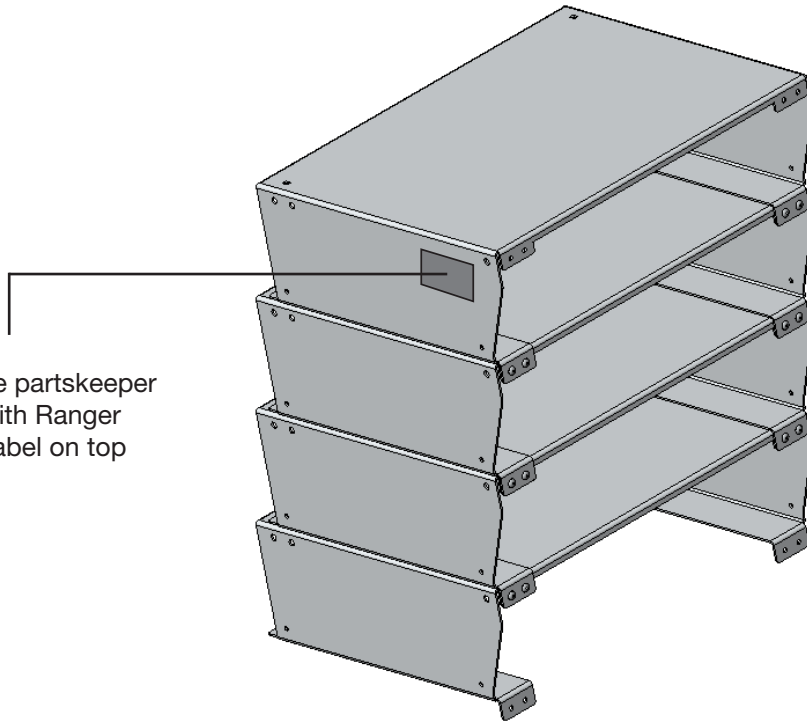
8x 94-5016



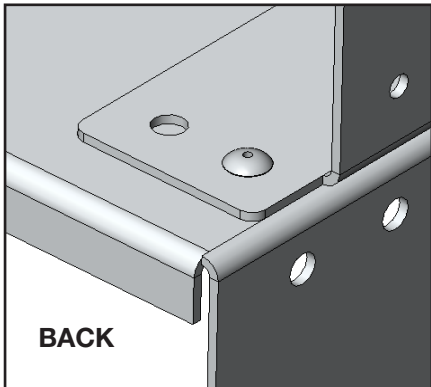
#92-102 Screw #14 x 1"

1.2.2 Stack and rivet the partskeeper holder to each other.

NOTE: Place the partskeeper holder with Ranger Design label on top



FRONT



BACK

TOOLS

- Rivet Gun

HARDWARE USED

18x 94-5016

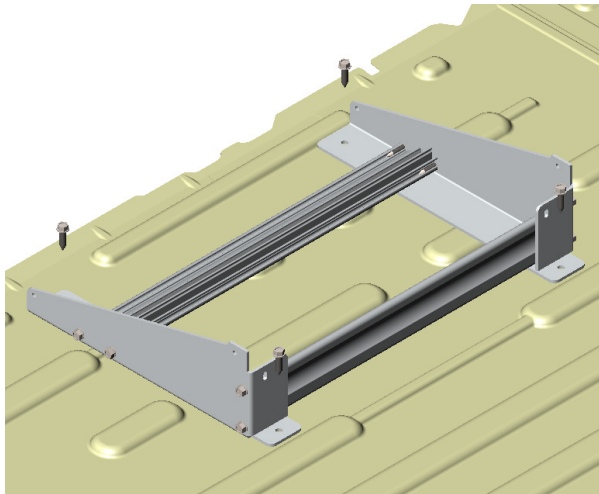


#96-202 Closed Rivet

PHASE 2 – INSTALL

2.1 PARTSKEEPER CARRY CASE INSTALLATION

- 2.1.1**
- Lift the assembled partskeeper carry base to the vehicle, then put it in place.
 - Screw the assembled partskeeper carry base to the floor vehicle.



TOOLS

- Cordless Impact
- 3/8" Bit

HARDWARE USED

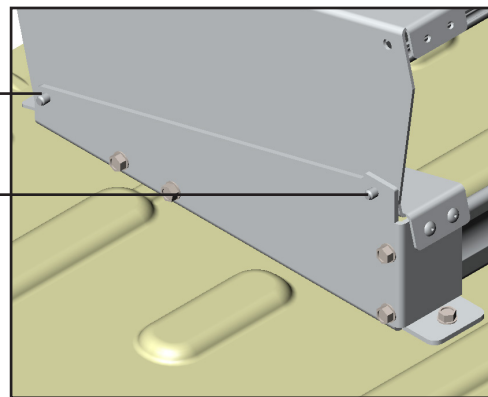
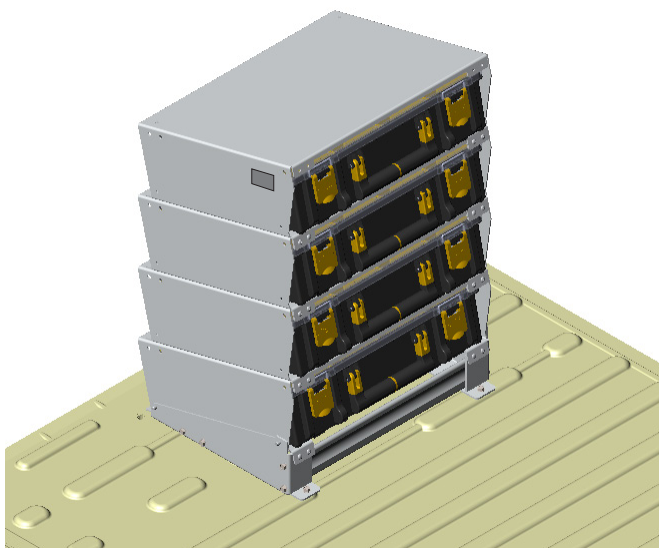
4x 96-5016



#92-102 Screw #14 x 1"

- 2.1.2**
- Rivet the partskeeper holder to the partskeeper carry base.
 - After riveting the partskeeper holder slide the partskeeper case inside the partskeeper holder.

NOTE: Rivet from inside not from outside.



TOOLS

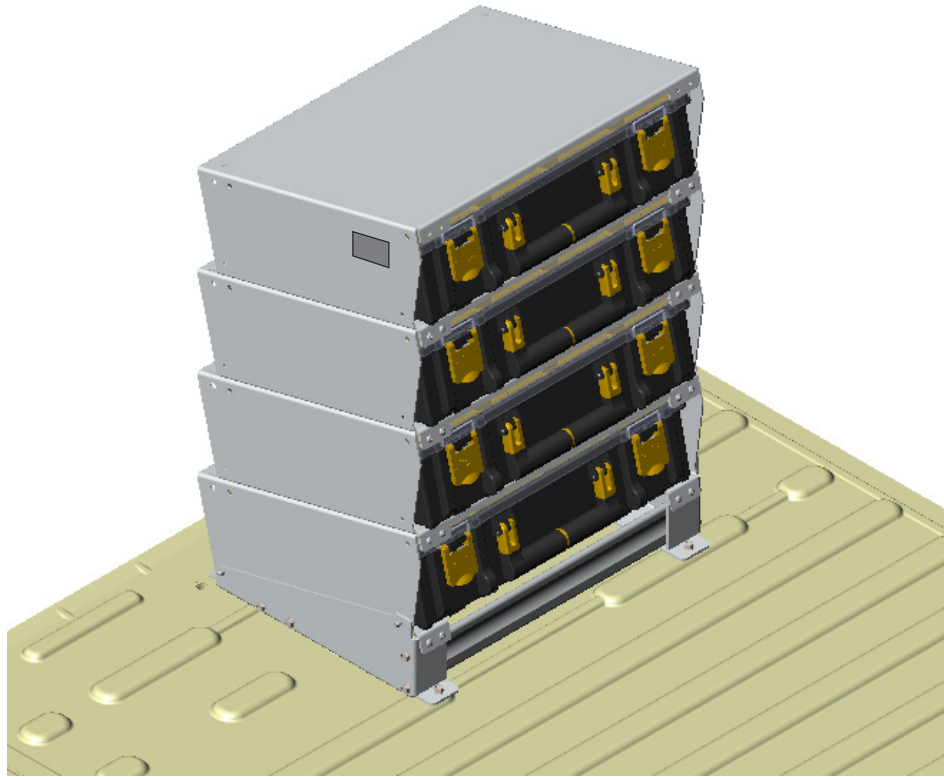
- Rivet Gun

HARDWARE USED

4x 96-5016



#96-202 Closed Rivet



**“You have successfully installed your
62-U5074**

Thank you for doing business with us.”

For any feedback or suggestions you may have, please contact: cs@rangerdesign.com

