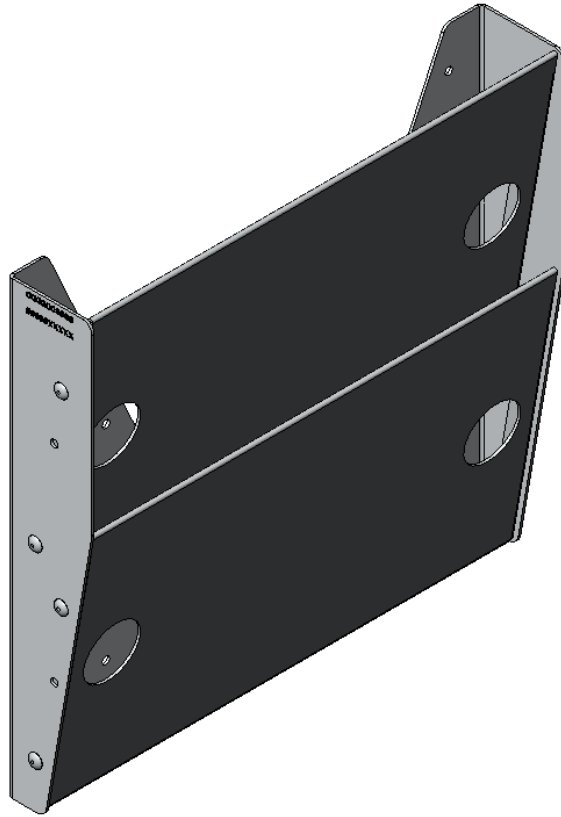


INSTALLATION GUIDE



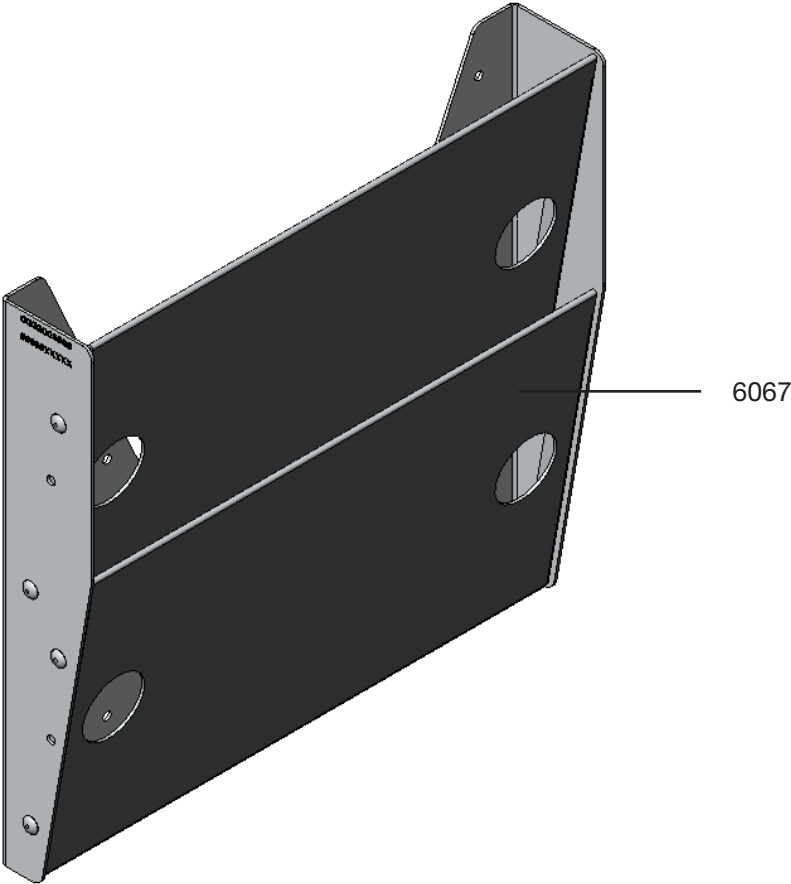
6067 Paper Holder

2 SLOTS

PHASE 1 – ASSEMBLY

1.1 SETUP

1.1.1 Unpack components; compare with the bill of materials.



1.1.2 Verify all parts are present.

BILL OF MATERIALS

Item No.	Description	Qty.
6067	Paper Holder	1
90 - 6002	Fastener Kit	1