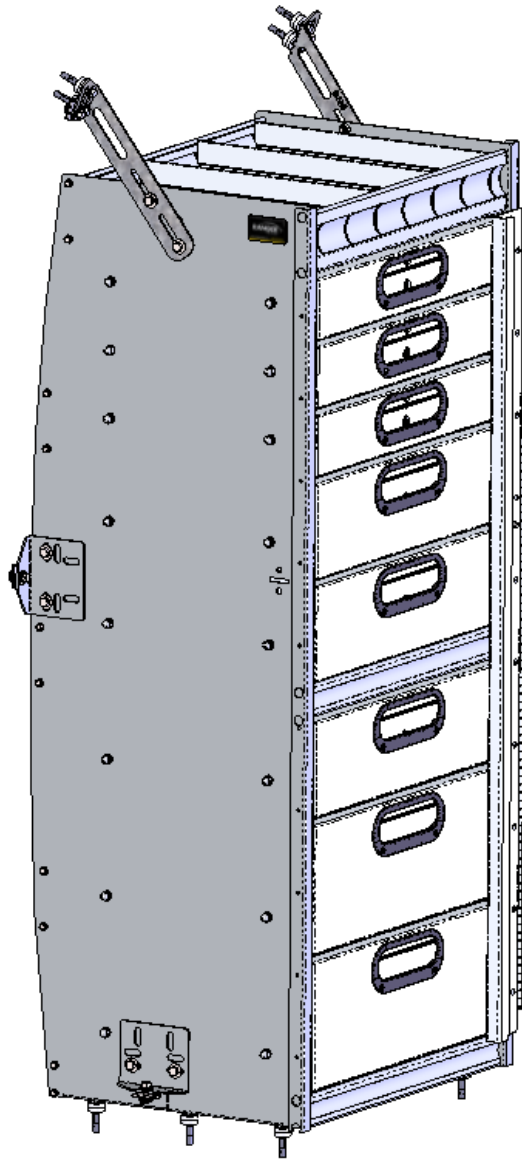


QUICK START GUIDE

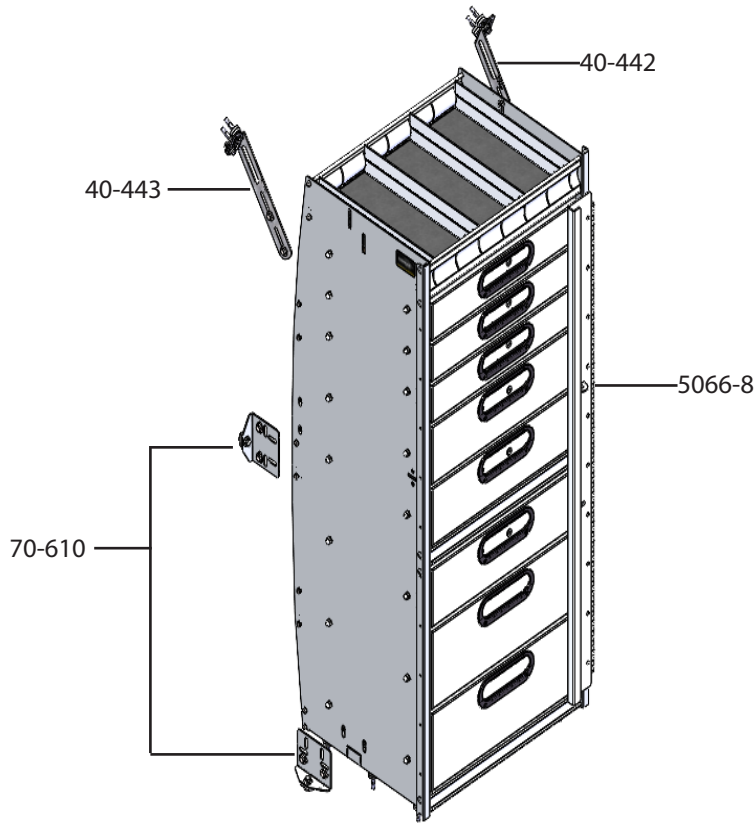


5066-8 Cargo Van Cabinet, 8 Drawers

PHASE 1 – ASSEMBLY

1.1 SETUP

1.1.1 Unpack components; compare with the bill of materials.



1.1.2 Verify all parts are present.

BILL OF MATERIALS

Item No.	Description	Qty.
5066-8	Cargo Van Cabinet, 8 Drawers	1
40-442	Bracket - Angled "L", Right	1
40-443	Bracket - Angled "L", Left	1
70-610	Bracket, Floor Mounting Track	4
94-5004	Customer Assembly Fastener Kit	1
96-5006	Customer Installation Fastener Kit	1