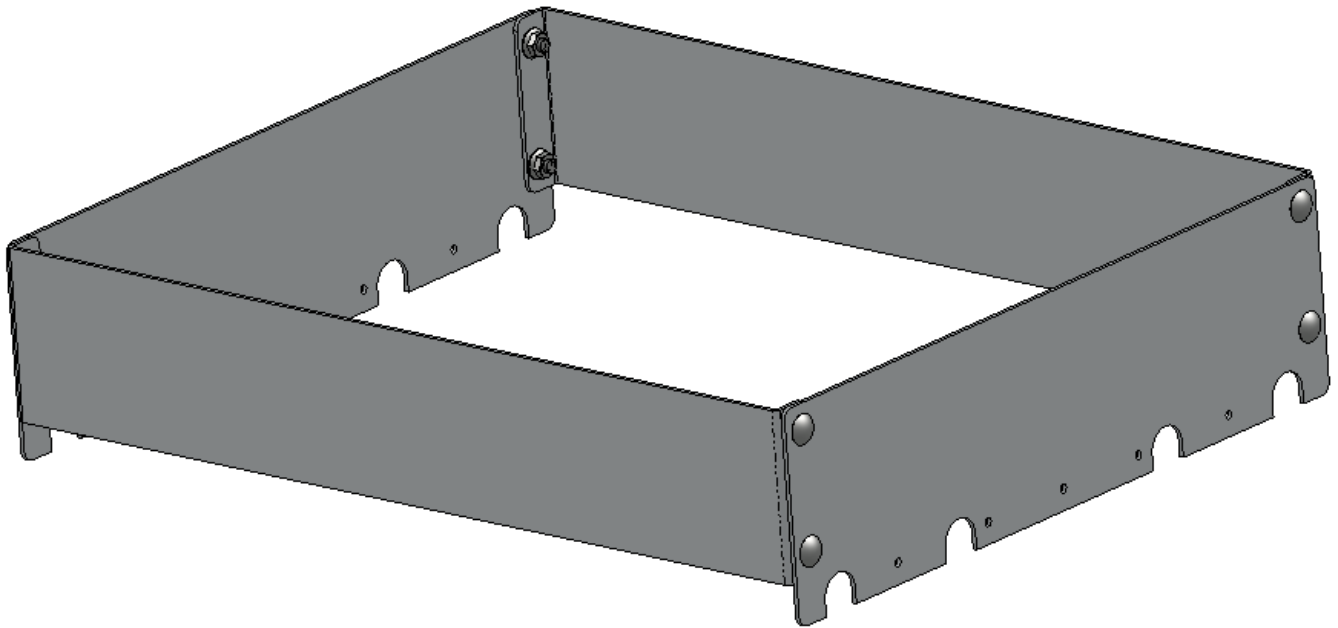


QUICK START GUIDE

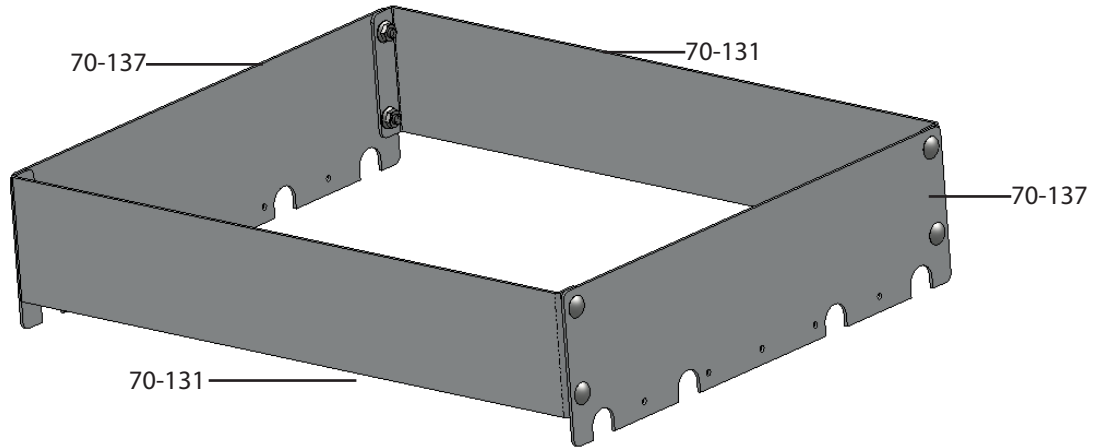


5057 Cargo Van Cabinet, Top Edge

PHASE 1 – ASSEMBLY

1.1 SETUP

1.1.1 Unpack components; compare with the bill of materials.






1.1.2 Verify all parts are present.

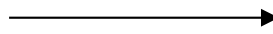
BILL OF MATERIALS

Item No.	Description	Qty.
70-131	Side plate, 17-5/8", top edge	2
70-137	End plate, 22", top edge	2
90-5029	Fastener Kit	1


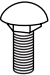

1.1.3 Fastener kits.

90 - 5029 Fastener Kit

- 10x  # 96-202 Closed Rivet
3/16" x 1/4"
Aluminum/Steel
- 8x  # 90-485 Carriage Bolt
5/16"-18 x 5/8"
SS304
- 8x  # 94-116 Serrated Nut
5/16"-18
ZINC



Fastener Install

- 10x  #96-202 Closed Rivet
- 8x  #90-485 Carriage Bolt 5/16"-18 x 5/8"
-  #94-116 Serrated Nut