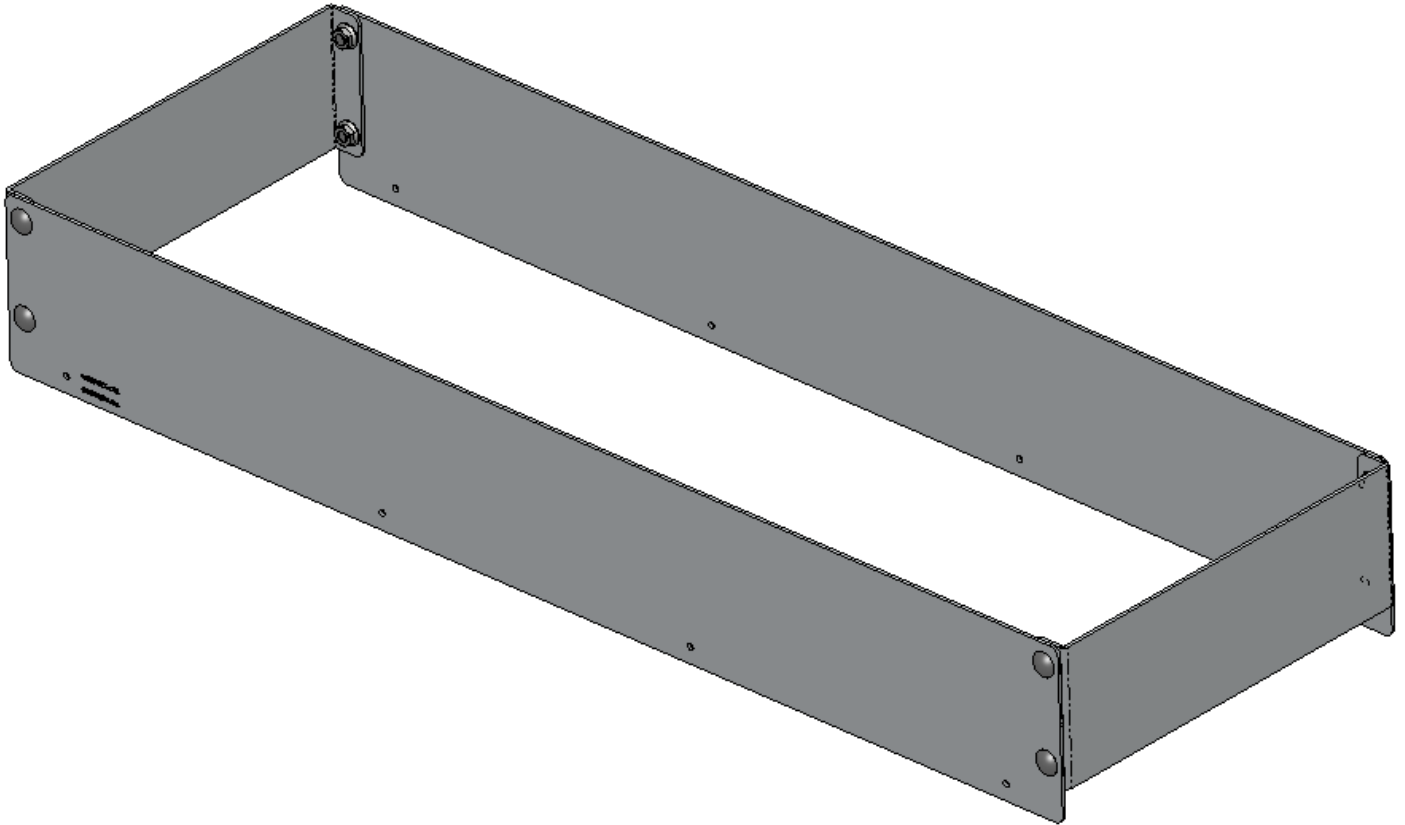


QUICK START GUIDE

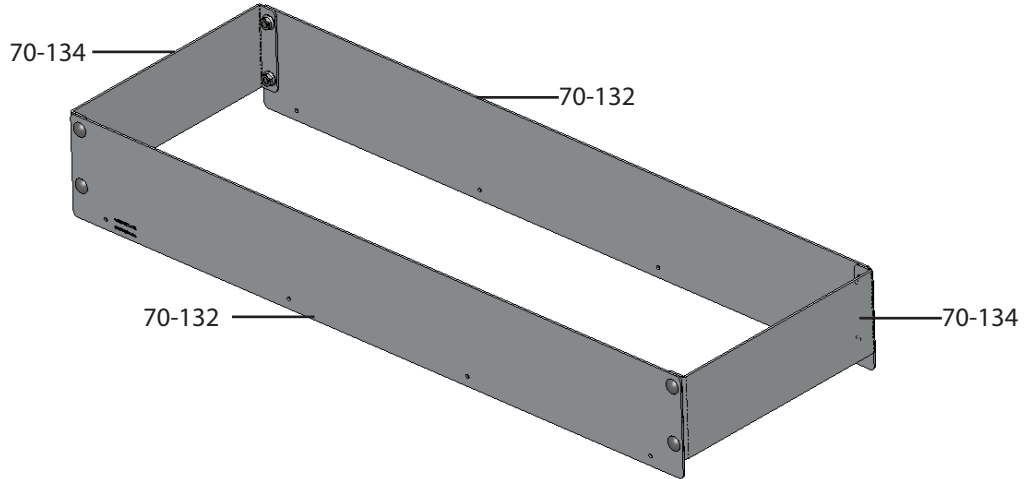


5051 Partslider Organizer, Top Edge

PHASE 1 – ASSEMBLY

1.1 SETUP

1.1.1 Unpack components; compare with the bill of materials.




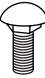




1.1.2 Verify all parts are present.

BILL OF MATERIALS

Item No.	Description	Qty.
70-132	Side plate, 35", top edge	2
70-134	End plate, 12", top edge	2
90-5024	Fastener Kit	1

1.1.3 Fastener kits.

90 - 5024 Fastener Kit			→	Fastener Install		
8×		# 96-202 Closed Rivet 3/16" × 1/4"		8×		#96-202 Closed Rivet
8×		# 90-484 Carriage Bolt 5/16"-18 × 5/8" GR-5 ZINC		8×		#90-484 Carriage Bolt 5/16"-18 × 5/8"
8×		# 94-116 Serrated Nut 5/16"-18 ZINC		8×		#94-116 Serrated Nut