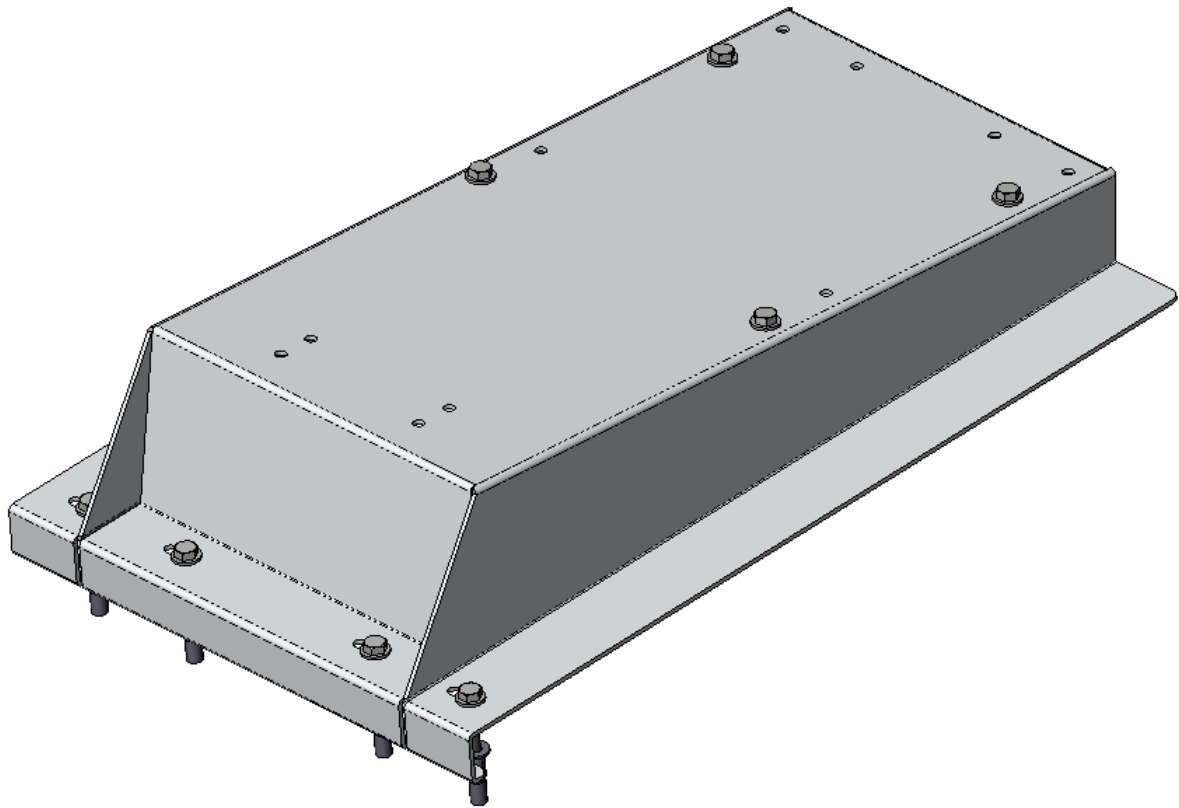


INSTALLATION GUIDE



5047 Raised Base for 5040/5045 Cab Box

ProMaster (Steel)



QUICK START GUIDE

Phase 1 - Assembly

1.1 Setup..... 3

Phase 2 - Installation

2.1 Installation..... 4
 2.2 Install With 5040/5045 Cab Box..... 4
 2.3 Using the Plusnut Tool..... 5

REQUIRED ITEMS



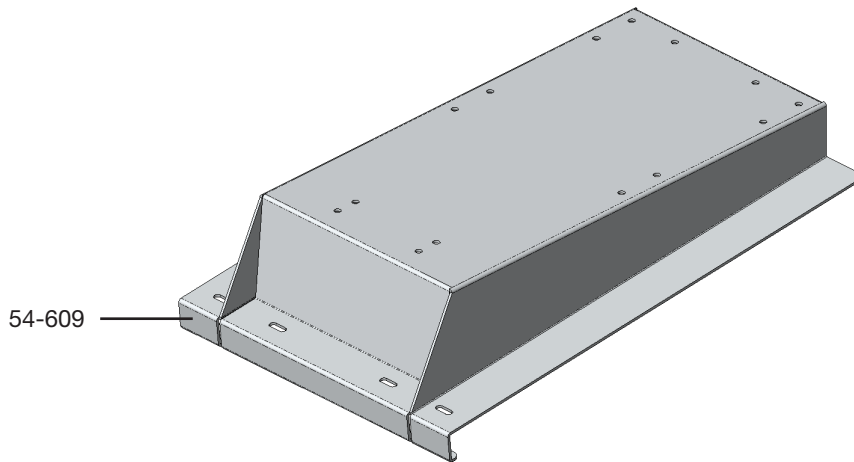
**1
PERSON**

- Cordless Impact
- Cordless Drill
- Tape Measure
- Marker
- 7/16" Socket
- 1/2" Drill Bit w/ Drill Collar (Set at 1/2" Deep)
- Knife
- Plusnut Tool / Plusnut Gun (1/4")

PHASE 1 – ASSEMBLY

1.1 SETUP

1.1.1 Unpack all the components and compare with the bill of materials.



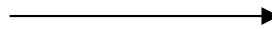
1.1.2 Verify all parts are present.

BILL OF MATERIALS

Item No.	Description	Qty.
54-609	Raised Base, Cab Box, ProMaster	1
90-5054	Install Fastener Kit	1




1.1.3 Fastener kits.




90-5054 Fastener Kit



Fastener Install

- 4x  # 90-110 Hex Bolt 1/4"-20 x 1-1/4" GR-5 ZINC
- 4x  # 90-204 Hex Bolt 1/4"-20 x 3/4" GR-5 ZINC
- 4x  # 94-130 Plusnut 1/4"-20
- 4x  # 94-112 Serrated Nut 1/4"-20 ZINC
- 8x  # 98-106 Flat Washer 1/4" ZINC

- 4x
-  #90-110 Hex Bolt 1/4" x 1-1/4"
 -  #98-106 Flat Washer
 -  #94-130 1/4" Plusnut

- 4x
-  #90-204 Hex Bolt 1/4" x 3/4"
 -  #98-106 Flat Washer
 -  #94-112 Serrated Nut

PHASE 2 – INSTALLATION

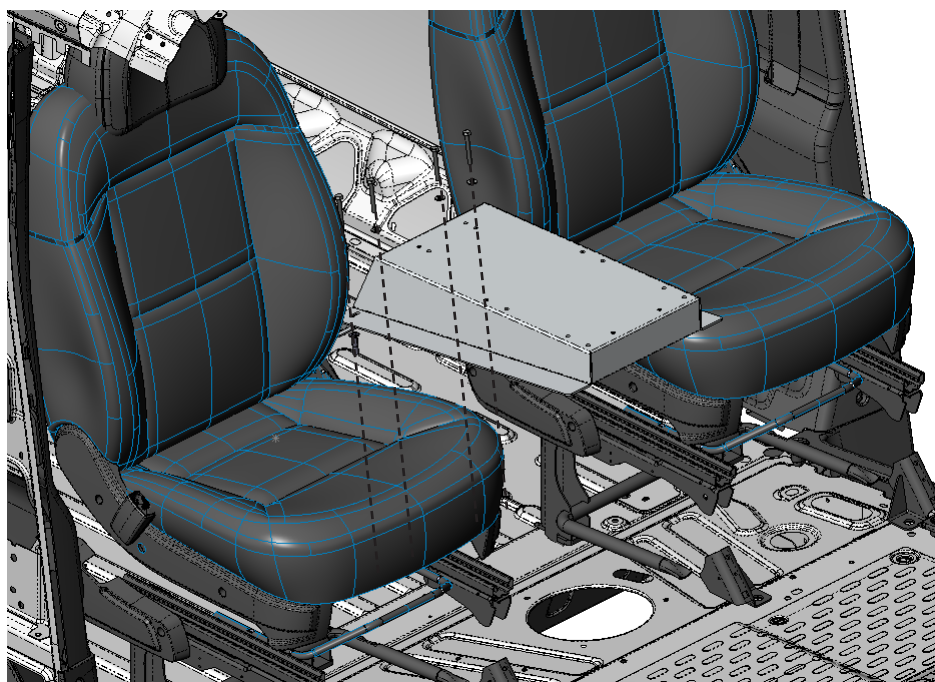
2.1 INSTALLATION

- 2.1.1
- Place the cab box raiser between the front seats.
 - Adjust the position forward or backward to avoid any seat armrest or mechanical handbrake levers.



WARNING: Verify with the vehicle manufacturer before drilling through the floor, that no wires, cables or other items are underneath. Adjust the position of the cab box raiser to avoid any items underneath.

- Mark the location of the 4 holes.
- Drill and insert the 4 Plusnuts. See Section 2.3 on using the Plusnut tool.



TOOLS

- Cordless drill
- 1/2" Drill Bit
- Plusnut tool
- 7/16" Socket

HARDWARE USED

4x

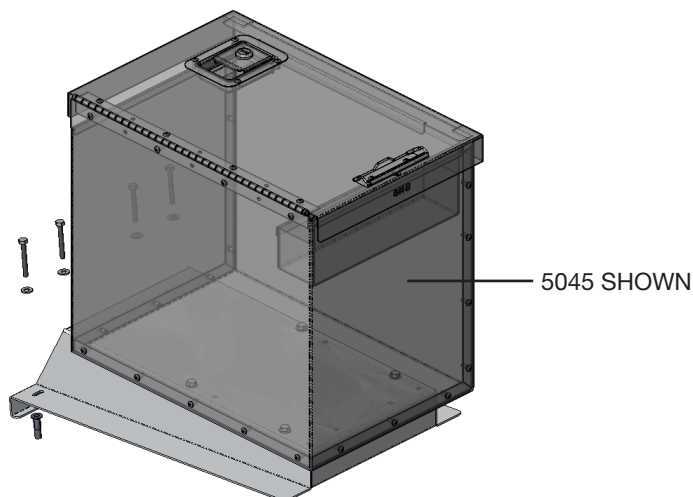


#94-130 1/4" Plusnut

2.2 INSTALL WITH 5040 OR 5045 CAB BOX

- 2.1.2
- Assemble the cab box to the riser. Refer to the 5040 or 5045 Cab Box for installation instruction.
 - Lower the cab box and raiser to the floor. Secure with fasteners.

NOTE: 5040 and 5045 Cab Box are separate units.



TOOLS

- Cordless drill
- 7/16" Socket

HARDWARE USED

4x



#90-110 Hex Bolt 1/4" x 1-1/4"

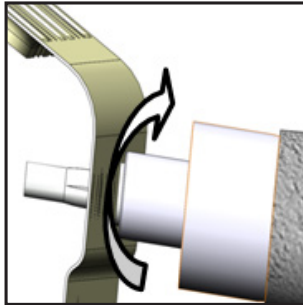


#98-106 Flat Washer

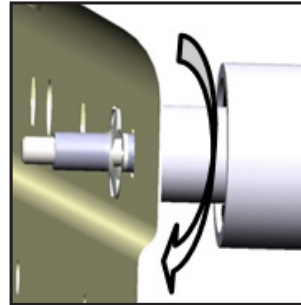
2.3 USING THE PLUSNUT TOOL

2.3.1 Using a Plusnut Gun.

- Put the Plusnut on the Plusnut gun.
- Secure the Plusnut to the hole by turning the gun forward until the Plusnut locks.
- Remove the gun by turning in reverse.



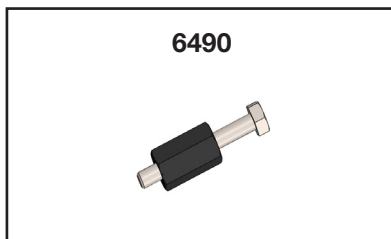
FORWARD



REVERSE



2.3.2 Using a Plusnut Tool.

- The hardware used for the 6490 plusnut tool is not included in the fastener bag.
- The 6490 plusnut tool can be ordered separately upon demand at no charge.



6490

HARDWARE USED

-  Flat washer 1/4"
-  Flat washer 1/4" 3/4" OD

TOOLS

- Cordless Impact
- 7/16" Socket
- 9/16" Wrench

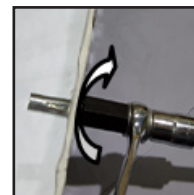
STEP 1:

Assemble the 6490 Plusnut tool with the hardware needed, Plusnut and the 9/16" wrench as shown.



STEP 2:

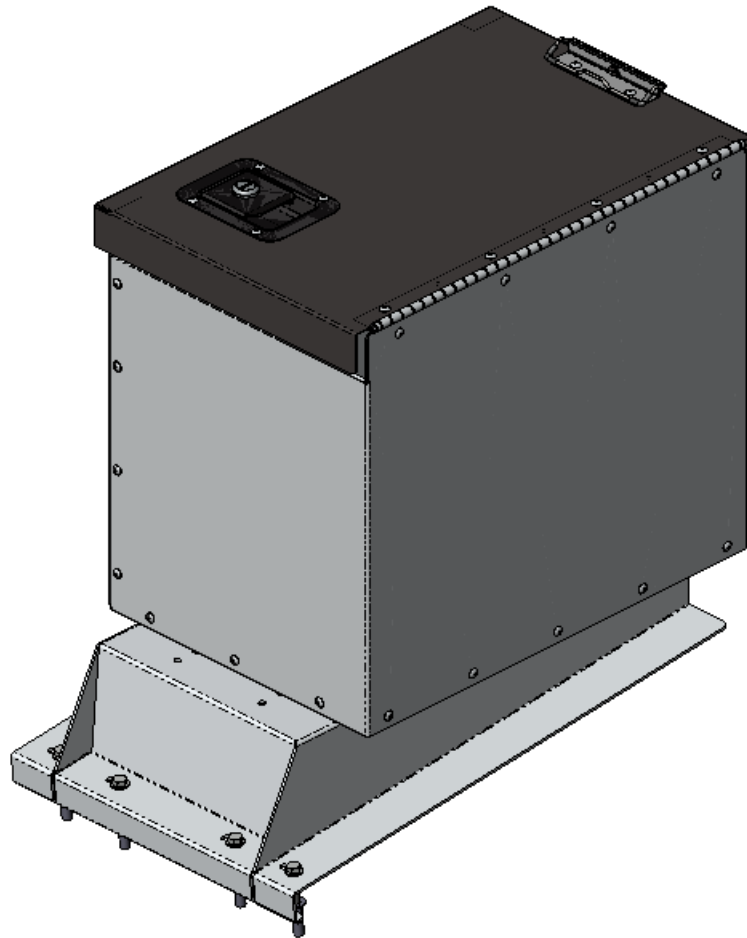
Secure the Plusnut to the hole by turning the bolt forward using an impact with a 7/16" socket until the Plusnut locks. Then remove the bolt by turning the impact in reverse.



FORWARD



REVERSE



**You have successfully installed your
5047 Raised Base.**

Thank you for doing business with us.

For any feedback or suggestions you may have, please contact: cs@rangerdesign.com

