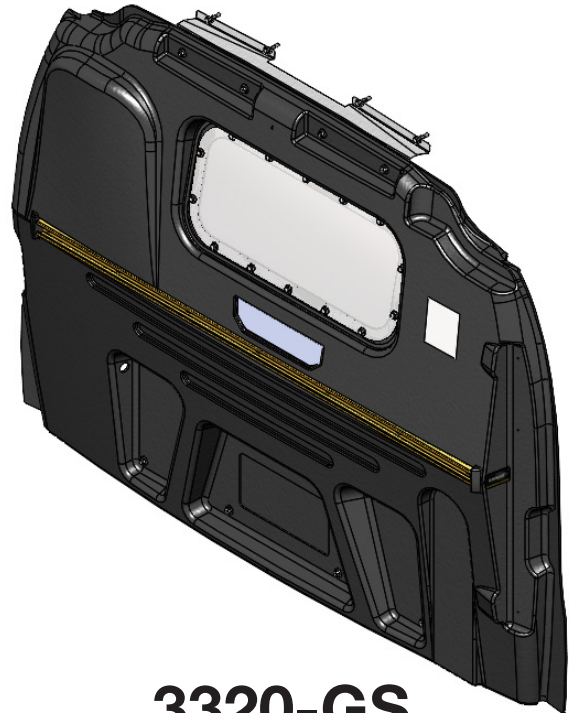


# INSTALLATION GUIDE



**3310-GS**



**3320-GS**

## Composite Partition

GMC Savana



Scan the QR for the latest Install-Guide.





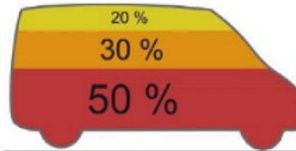
# BEFORE YOU BEGIN

READ, UNDERSTAND, AND FOLLOW ALL WARNINGS AND INSTRUCTIONS BEFORE USING THIS PRODUCT. FAILURE TO FOLLOW THESE DIRECTIONS MAY RESULT IN PROPERTY DAMAGE, SERIOUS BODILY INJURY, AND/OR DEATH. RANGER DESIGN IS NOT RESPONSIBLE FOR ANY PROPERTY DAMAGE, PERSONAL INJURY, OR DEATH THAT OCCURRED WHILE USING ANY RANGER DESIGN PRODUCTS.



## WARNING

- Failure to use Ranger Design-provided fasteners, brackets, and proper installation guidelines could increase risk of serious personal injury and/or death.
- If drilling is required to complete this installation: improper drilling can cause property damage to vehicles and could lead to electric shock, fire, or even death.
- If drilling is required to complete this installation: Ensure that drilling is only performed on areas of the vehicle allowed by the vehicle's Original Equipment Manufacturer's Body Builders Layout Book (or equivalent document).
- Prior to installation, inspect the vehicle to ensure that installation will not interfere with, or cause obstruction of, any critical components such as electrical wiring, fuel tanks, fuel-cells, locks, latches, etc.
- The installer or manufacturer is responsible for ensuring anchorages are installed onto suitable wall and floor structures; wall and floor strength must meet applicable performance requirements.
- Do not install systems into any weak or unsound materials such as plastics, woods, thin-walled metals, etc. without proper reinforcement.
- Do not install this product where it could interfere with the deployment of airbags. Failure to comply could result in death or serious injury.
- Do not install this product where it could ingress on the Transit Occupant Protection Zone. Failure to comply could result in death or serious injury.
- Incorrect installation could cause water leaks, electric shock or fire.
- Any cargo vehicle with any cargo or equipment should use a certified partition. See Ranger Design website for some partition options. (<https://rangerdesign.com/>)
- Mountings rails are recommended for any attachment to the vehicle walls.
- All items in the cargo area should be properly secured and partition doors closed while the vehicle is in motion.
- Check your vehicle's tare weight and remaining load capacity with all the equipment installed. Never exceed the maximum Gross Vehicle Weight Rating (GVWR), Gross Axle Weight Ratings (GAWRs), or other maximum loads permitted by the vehicle's Original Equipment Manufacturer (OEM) and required by law.
- The heaviest items must be placed towards the bottom of the vehicle, while the lightest ones can be arranged upwards. Vehicle cargo loading weight proportion should follow the following guidelines:



- The final alterer and/ or modifier should review the warning sheet with the customer before the vehicle is released to the customer or for general use. These instructions should remain with the vehicles a all times.
- Any modification or unintended use of this product voids any warranty and could create a hazardous condition.
- Ranger Design provides recommended assembly and installation instructions which should be followed to ensure correct operation. Failure to do so could result in invalidating the product's compliance, warranty and cause injury. Notwithstanding, the final stage vehicle alterer and/or modifier is responsible for the integration, installation, and compliance of the product in its final location to all applicable regulations and standards. Failure to maintain compliance of the vehicle to applicable regulations and standards could be punishable by law. Alterers and/or modifiers should consult with all local authorities prior to commissioning.



## CAUTION

- Drilling is required to complete this installation. Before drilling, ensure that you will not hit any critical parts of the vehicle like the gas tank, wiring harness, or hose. Consult the vehicle OEM documentation as necessary. When drilling, use a drill collar to reduce the risk of damage to the vehicle.
- Any materials, padding, or glazing installed in the vehicle must comply with FMVSS/CMVSS 201/205/302, as applicable.
- In the event of a motor vehicle accident or collision where a Ranger system has been installed, especially ones where the vehicle structure is damaged and/or the air bags deploy and/or the vehicle has been towed, the system must be inspected to ensure continued soundness and safety before returning the vehicle to service. Damaged components should be replaced as necessary.
- All system components should be regularly inspected, cleaned, and maintained pursuant to Ranger guidelines.

# QUICK START GUIDE

## Phase 1 - Assembly

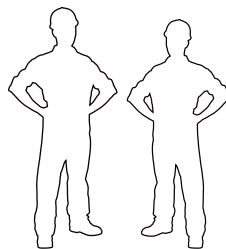
- 1.1 Setup..... 4
- 1.2 Partition Preparation..... 6

## Phase 2 - Installation

- 2.1 Tips on how to attach a plusnut..... 7
- 2.2 Partition Installation..... 8

# REQUIRED ITEMS

- Cordless Driver
- Cordless Impact
- Cordless Drill
- Marker
- Plusnut Tool
- 3/8" Driver Bit
- 7/16" Socket
- 1/2" Socket
- 3/8" Drill Bit

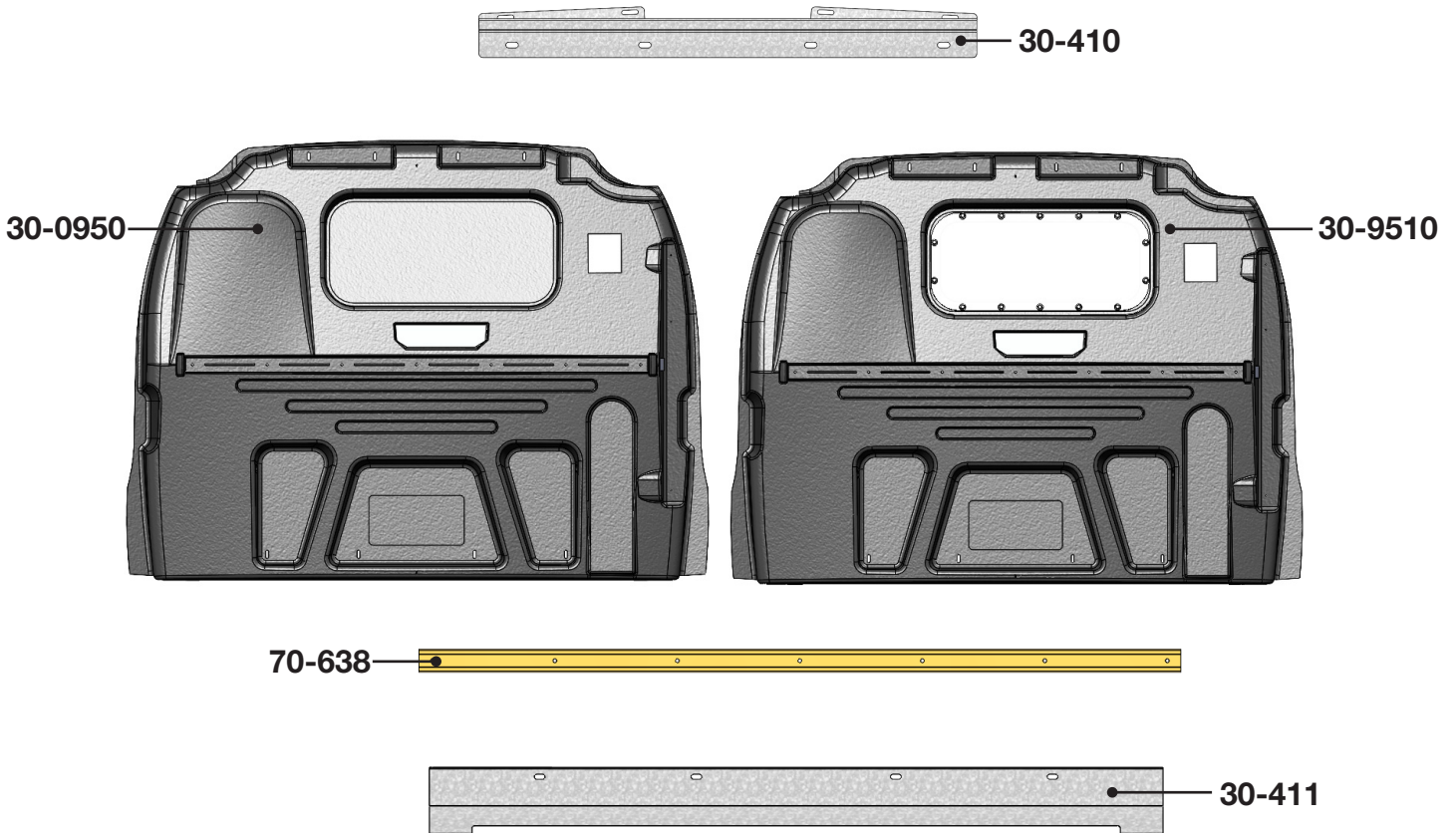


**2  
PERSONS**

# PHASE 1 – ASSEMBLY

## 1.1 SETUP

1.1.1 Unpack components; compare with the bill of materials.

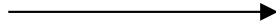


1.1.2 Verify all parts are present.

Item No.	Description	Qty.
30-0950 or 30-9510	Composite Partition GS	1
30-410	Roof Bracket	1
30-411	Floor Bracket	1
70-638	Mounting Track 56"	1
96-3059	Customer Install Fastener Kit	1
94-3059	Customer Assembly Fastener Kit	1

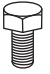


1.1.3 Identify the **Assembly** and **Installation** fastener bags.

**94-3059**



**Hardware Assembly**







- 7x  # 90-110 Hex Bolt  
1/4"-20 x 3/4"  
GR-5 ZINC
- 7x  # 94-112 Serrated Nut  
1/4"-20  
ZINC
- 7x  # 98-112 Flat Washer  
1/4", 3/4" OD  
ZINC





- 7x
-  #90-110 Hex Bolt 1/4"-20 x 3/4"
  -  #98-112 Flat Washer
  -  #94-112 Serrated Nut





**96-3059**



**Hardware Installation**

- 8x  # 90-486 Carriage Bolt  
5/16"-18 x 3/4"  
GR-5 ZINC
- 4x  # 94-130 Plusnut
- 4x  # 90-114 Hex Bolt  
1/4"-20 x 1"  
GR-5 ZINC
- 4x  # 98-112 Flat Washer  
1/4", 3/4" OD  
ZINC
- 4x  # 98-118 Lock Washer  
Regular 1/4"  
ZINC
- 8x  # 98-116 Flat Washer  
5/16", 7/8" OD  
ZINC
- 8x  # 98-122 Lock Washer  
Regular 5/16"  
ZINC
- 8x  # 94-104 Hex Nut  
5/16"-18  
ZINC

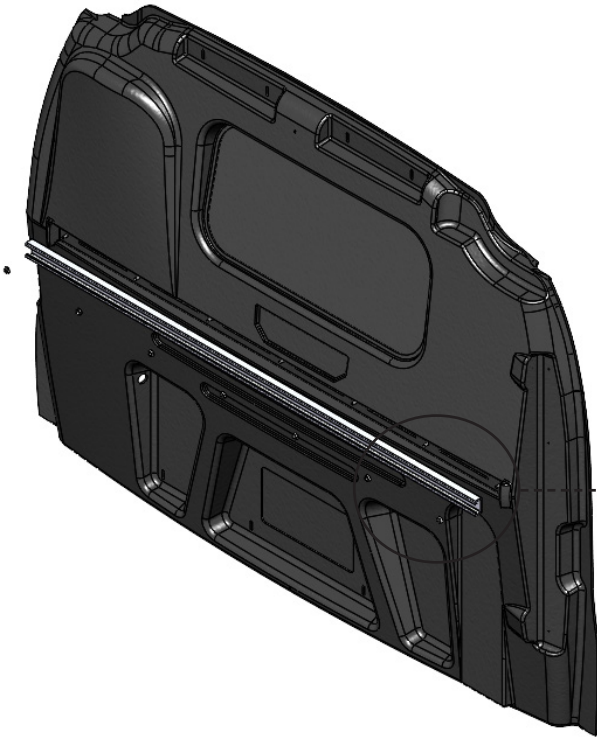
- 8x
-  #90-486 Carriage Bolt 5/16" x 3/4"
  -  #98-116 Flat Washer
  -  #98-122 Lock Washer
  -  #94-104 Hex Nut

- 4x
-  #90-114 Hex Bolt 1/4" x 1"
  -  #98-118 Lock Washer
  -  #98-112 Flat Washer
  -  #94-130 Plusnut

# PHASE 1 – ASSEMBLY

## 1.2 PARTITION PREPARATION

### 1.2.1 Install mounting track.



#### TOOLS

- Cordless Impact
- 7/16" Socket

#### HARDWARE USED

**7x** RECOMMENDED TORQUE SPEC: 7 LBS • FT



#90-110 Hex Bolt 1/4" x 3/4"

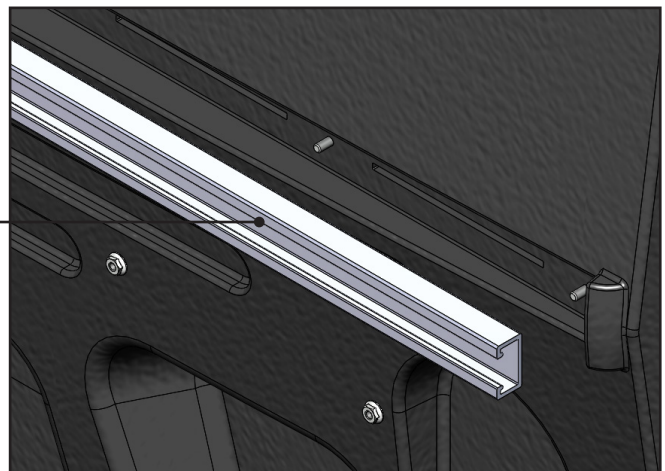


#98-112 Flat Washer



#94-112 Serrated Nut

70-638



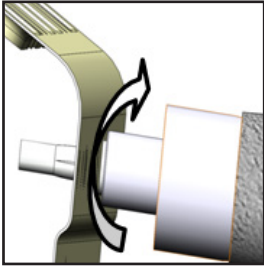


# PHASE 2 – INSTALLATION

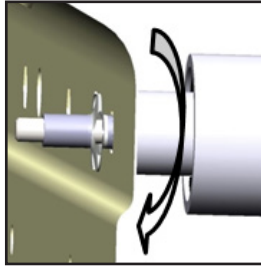
## 2.1 TIPS ON HOW TO ATTACH A PLUSNUT

2.1.1 Attach the plusnut using the plusnut gun.

**TIPS:** Put the plusnut on the plusnut gun, then attach the plusnut in the hole by turning the gun forward until the plusnut locks, then remove the gun by turning in reverse.



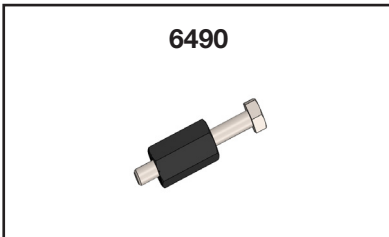
**FORWARD**



**REVERSE**



2.1.2 Attach the plusnut using the 6490 plusnut tool.

**NOTE:** The hardware used for the 6490 plusnut tool is not included in the fastener bag. The 6490 plusnut tool can be ordered separately upon demand at no charge.



**6490**

### HARDWARE USED

-  Flat washer 1/4"
-  Flat washer 1/4" BS x 3/4" OD

### TOOLS

- Cordless Impact
- 7/16" Socket
- 9/16" Wrench

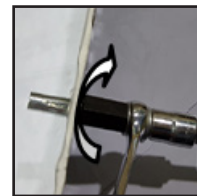
### TIPS STEP 1:

Assemble the 6490 plusnut tool with the hardware needed, plusnut and the 9/16" wrench as shown.



### TIPS STEP 2:

Attach the plusnut in the hole by turning the bolt forward using an impact with a 7/16" socket until the plusnut locks, then remove the bolt by turning the impact in reverse.



**FORWARD**



**REVERSE**

## 2.2 INSTALLATION

### 2.2.1 Install plusnuts to factory provided holes.

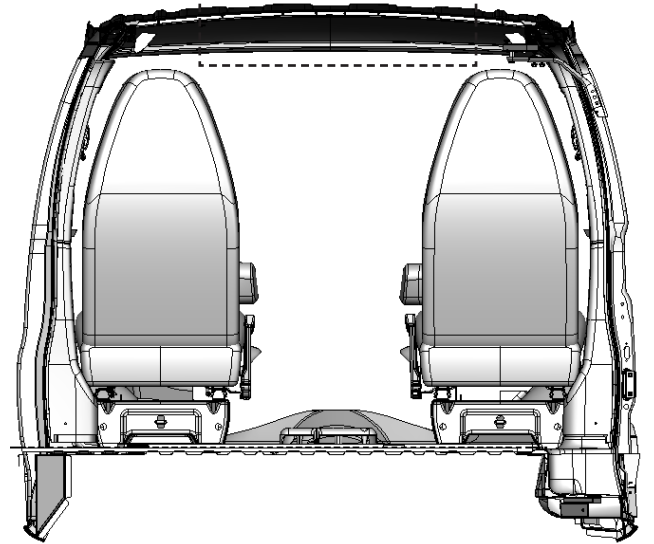
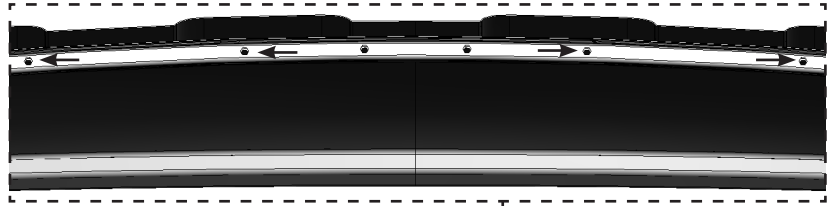
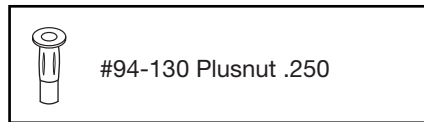
- Drill using a 3/8" drill bit on the factory provided holes to accommodate plusnuts.
- Attach plusnuts in the 4 holes as instructed in page 6.

#### TOOLS

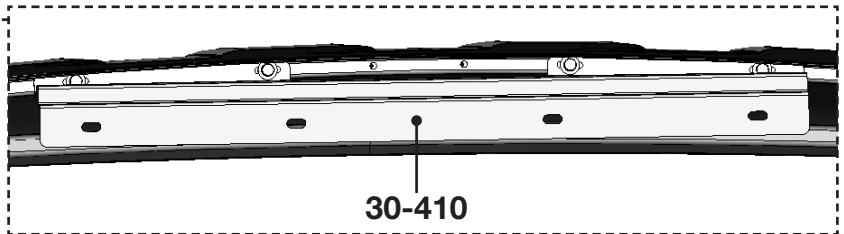
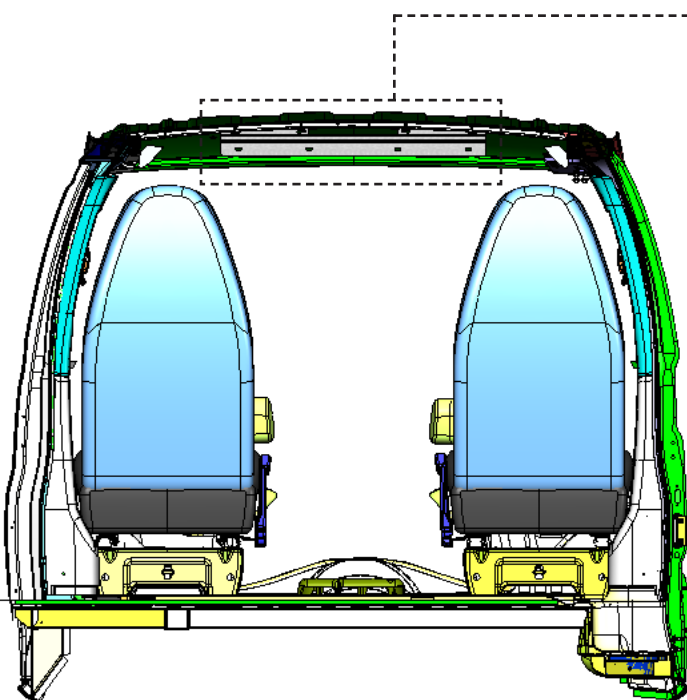
- Plusnut Tool
- Cordless Drill
- 3/8" Drill Bit

#### HARDWARE USED

4x



### 2.2.2 Install roof bracket.



4x RECOMMENDED TORQUE SPEC: 7 LBS • FT



#90-114 Hex Bolt 1/4" x 1"



#98-118 Lock Washer

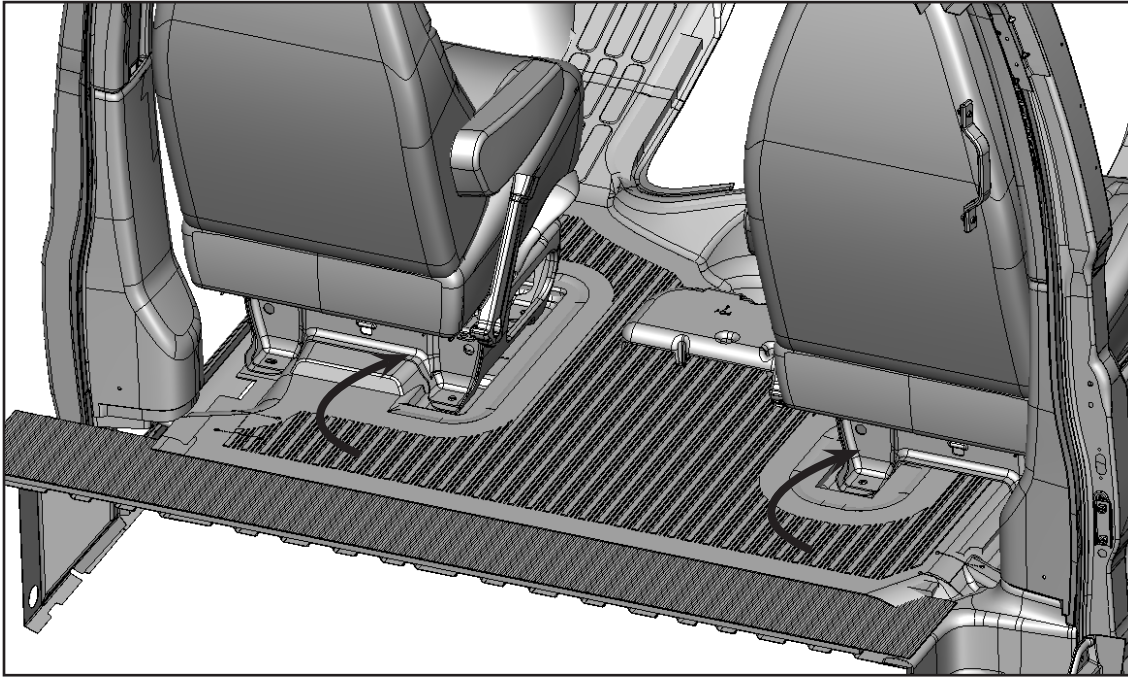


#98-110 Flat Washer

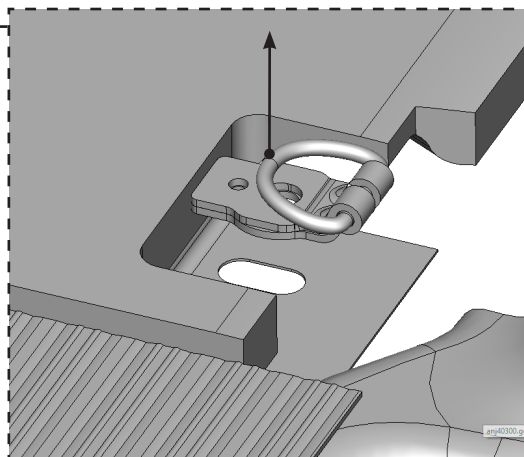
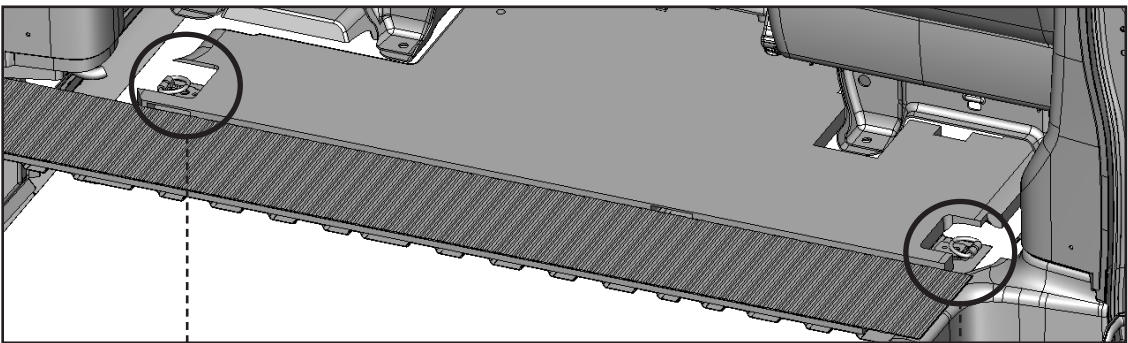


### 2.2.3 Floor bracket installation preparation.

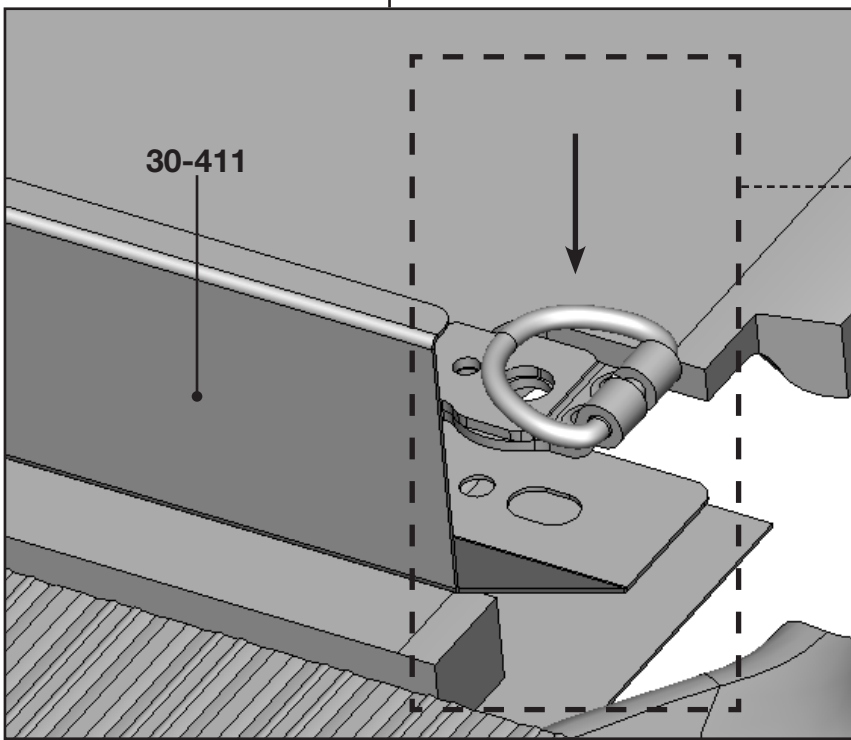
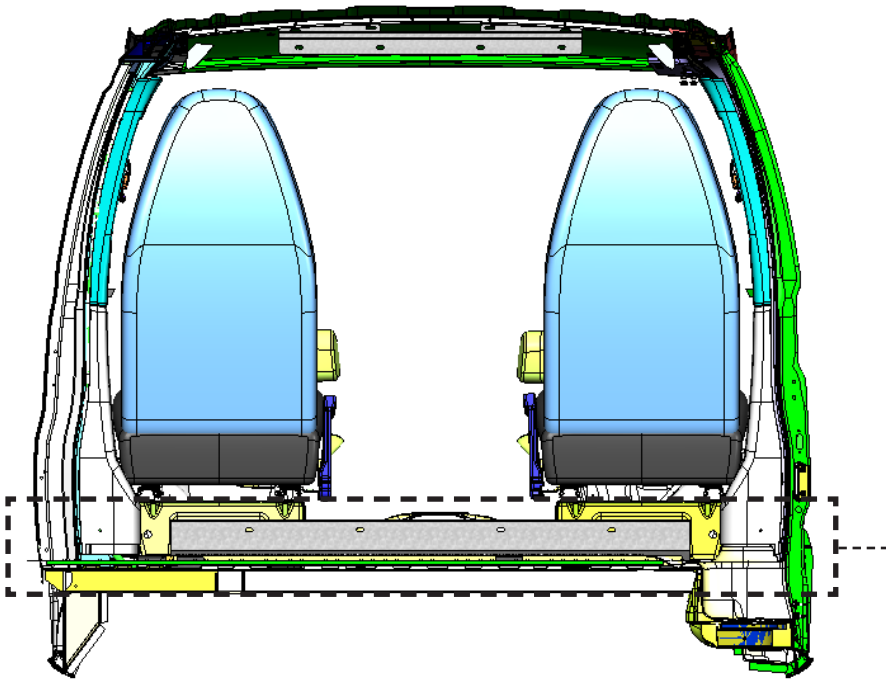
Roll up floor mat to reveal factory provided D-Rings.



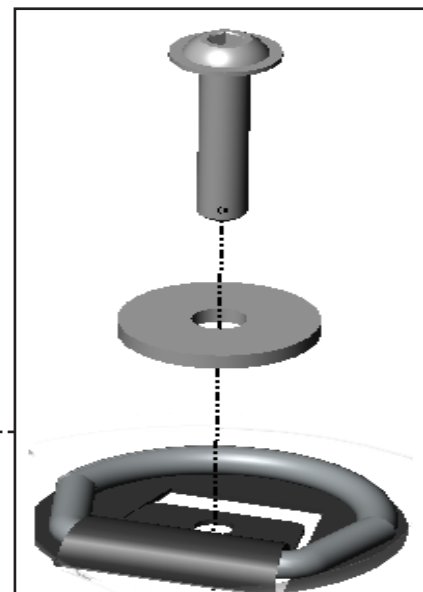
Remove D-Rings and put aside for later use.



2.2.4 Reinstall D-rings over floor bracket.







30-411

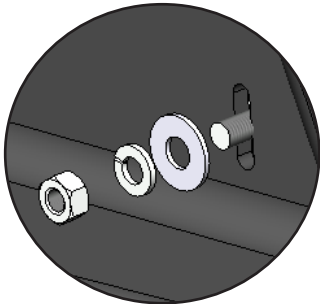
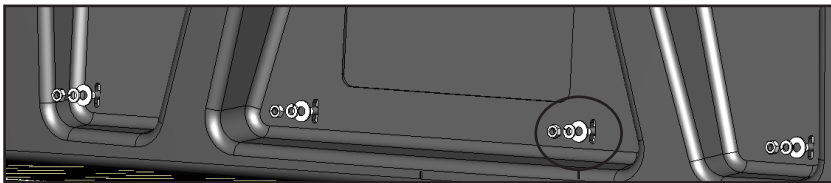
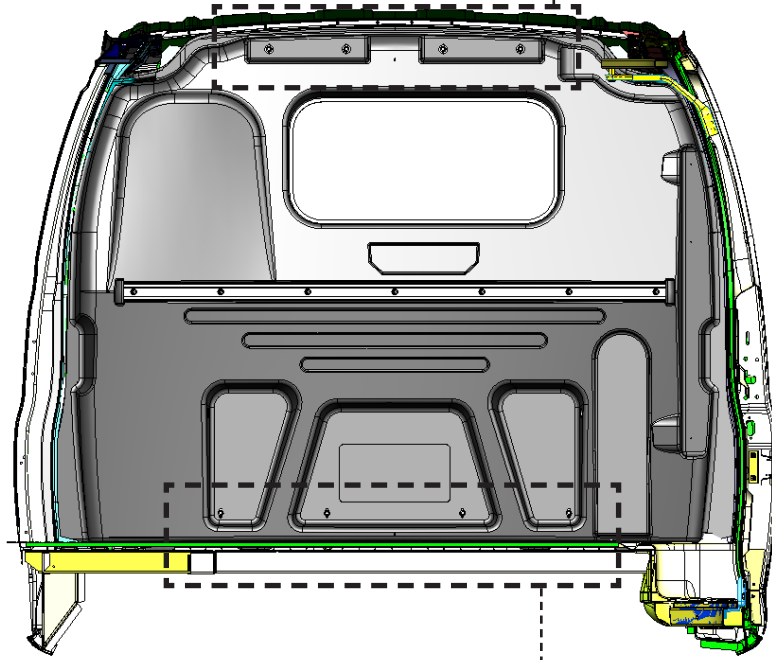
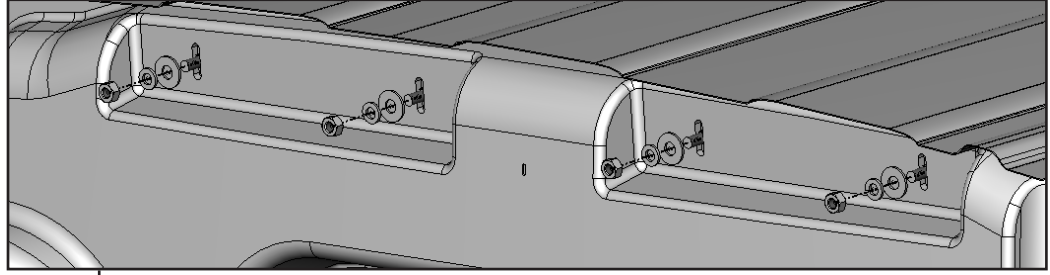


2.2.5 Install composite partition to floor and roof bracket.

**HARDWARE USED**





**4x** RECOMMENDED TORQUE SPEC: 11 LBS • FT

-  #90-486 Carriage Bolt 5/16" x 3/4"
-  #98-116 Flat Washer
-  #98-118 Lock Washer
-  #98-118 Serrated Nut



**HARDWARE USED**

**4x** RECOMMENDED TORQUE SPEC: 11 LBS • FT

-  #90-486 Carriage Bolt 5/16" x 3/4"
-  #98-116 Flat Washer
-  #98-118 Lock Washer
-  #98-118 Serrated Nut

**“You have successfully installed your Partition, thank you for doing business with us.”**

For any feedback or suggestions, you may have, please contact: [cs@rangerdesign.com](mailto:cs@rangerdesign.com)