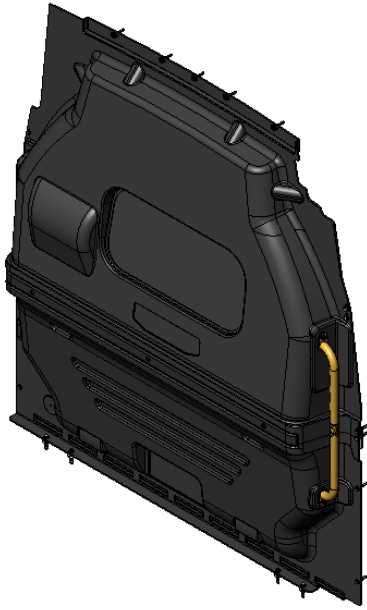
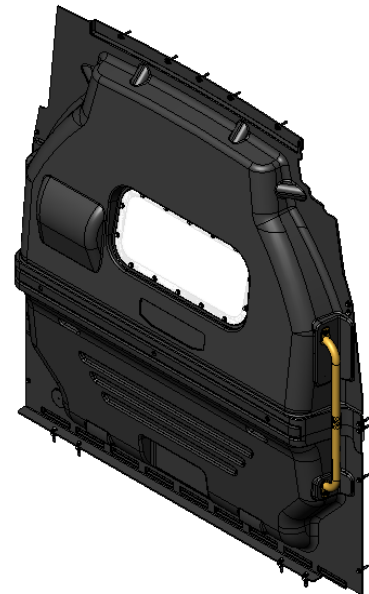


# INSTALLATION GUIDE



**3310-NH**



**3320-NH**

**Composite Partition**  
Nissan NV High Roof

# QUICK START GUIDE

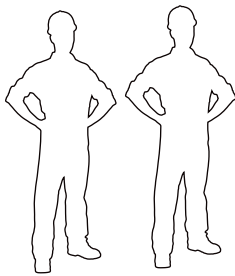
## Phase 1 - Assembly

<input type="checkbox"/> 1.1 Setup.....	3 - 4
<input type="checkbox"/> 1.2 Partition Assembly.....	5

## Phase 2 - Install

<input type="checkbox"/> 2.1 Vehicle Preparation.....	6 - 8
<input type="checkbox"/> 2.2 Partition Installation.....	9 - 11
<input type="checkbox"/> 2.3 Handle Installation.....	12

# REQUIRED ITEMS



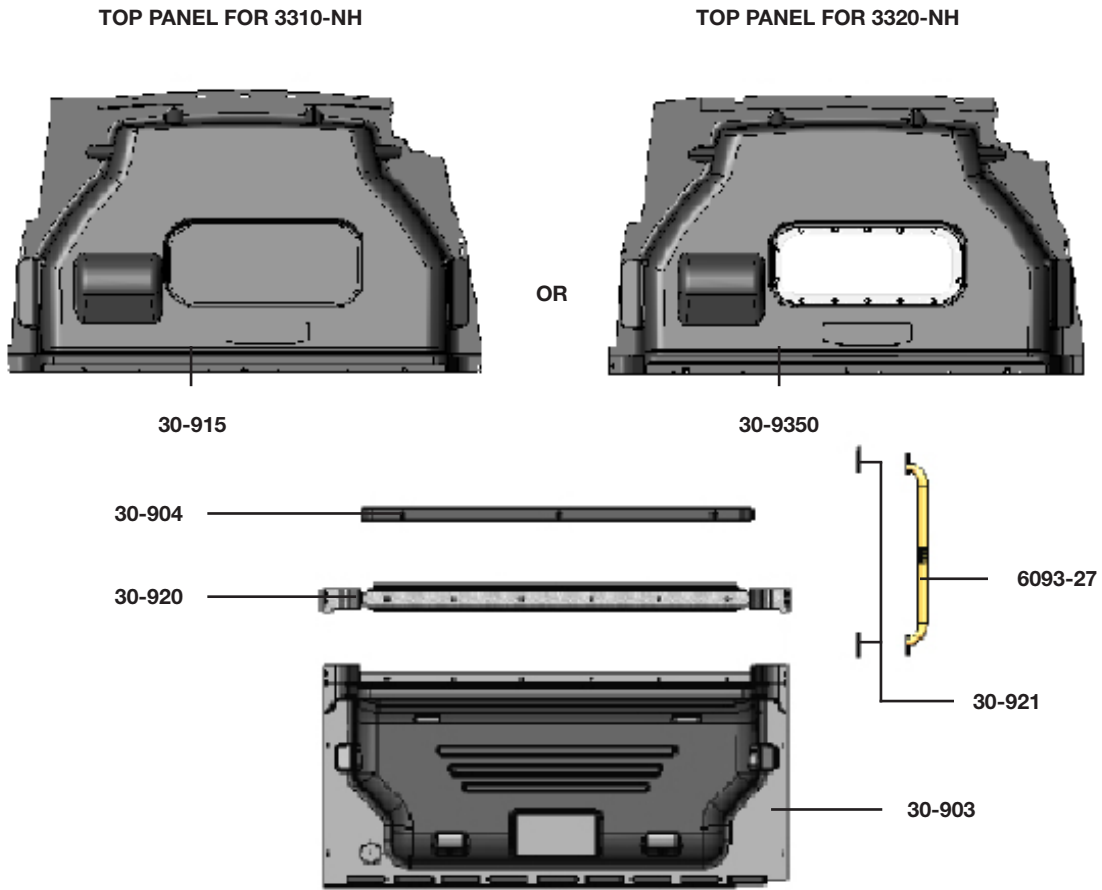
**2**  
**PERSONS**

- Cordless Impact
- Cordless Drill
- Marker
- Plusnut Tool
- Tape Measure
- 3/8" Drill Bit
- 7/16" Socket
- 1/2" Socket
- 9/16" Wrench
- 10mm Socket

# PHASE 1 – ASSEMBLY

## 1.1 SETUP

1.1.1 Unpack components; compare with the bill of materials.

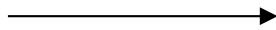


1.1.2 Verify all parts are present.

Item No.	Description	Qty.
30-903	Bottom Panel	1
30-904	Bolt Cap	1
30-915 OR 30-9350	Top Panel	1
30-920	Support	1
30-921	Handle Plate	2
6093-27	Large Grab Handle	1
94-5017	Assembly Fastener Kit	1
96-3045	Install Fastener Kit	1

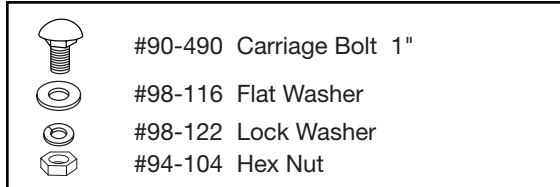
1.1.3 Identify the **Assembly** and **Installation** fastener bags.

**94-5017**



**Hardware Assembly**

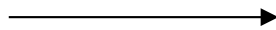
**x6**



**x3**

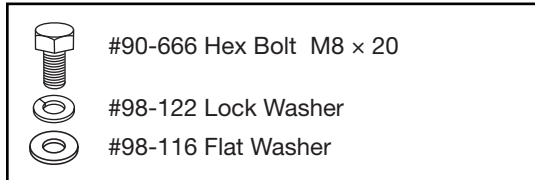


**96-3045**

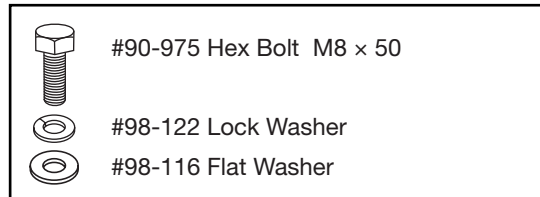


**Hardware Assembly**

**x2**



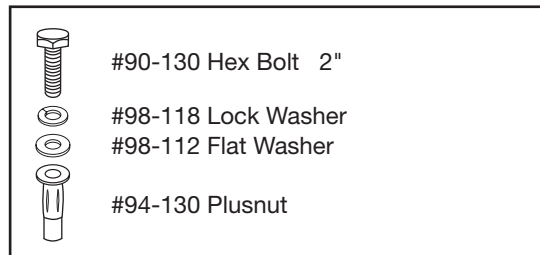
**x5**



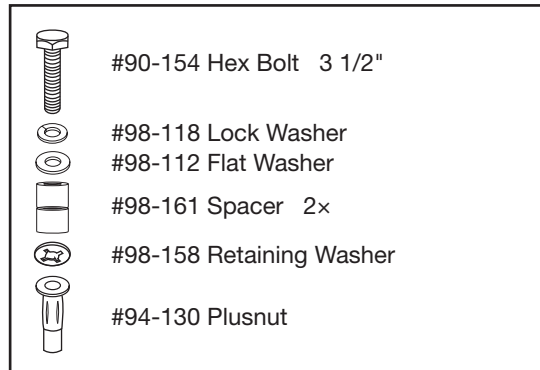
**x4**



**x4**



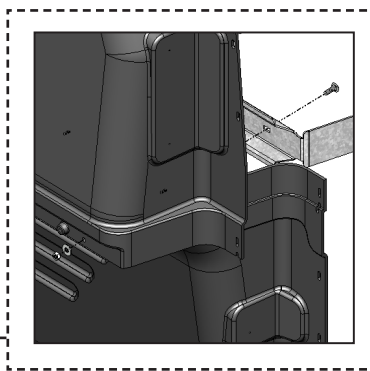
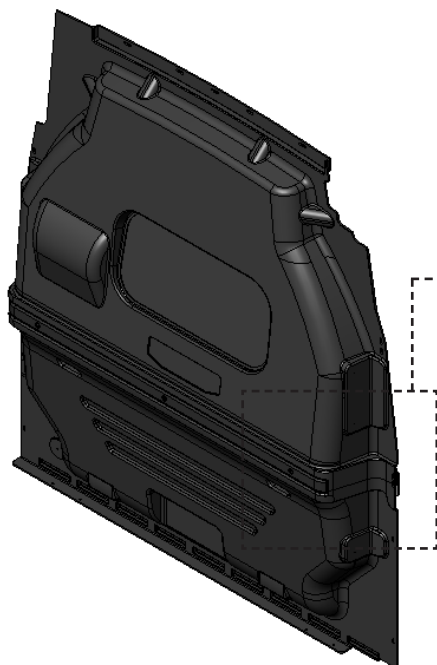
**x5**



# PHASE 1 – ASSEMBLY

## 1.2 PARTITION ASSEMBLY

1.2.1 Attach the top and bottom panel with support bracket.



### TOOLS

- Cordless Impact
- 1/2" Socket

### HARDWARE USED

6x



#90-490 Carriage Bolt 1"



#98-116 Flat Washer

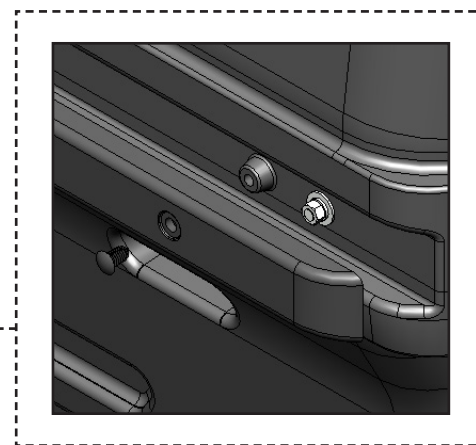
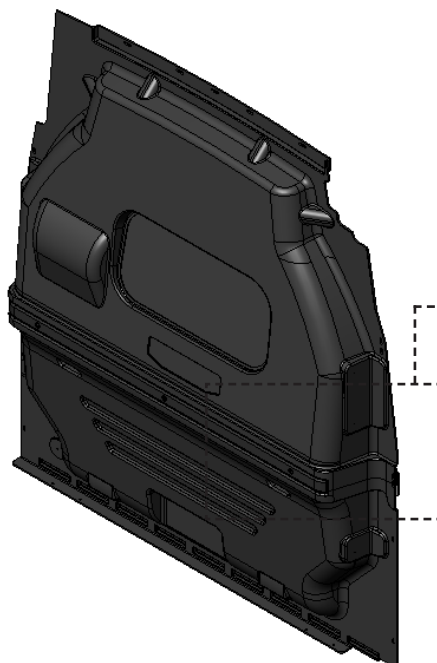


#98-122 Lock Washer



#94-104 Hex Nut

1.2.2 Plug the Bolt cap to the partition using Christmas tree plug.



### HARDWARE USED

3x



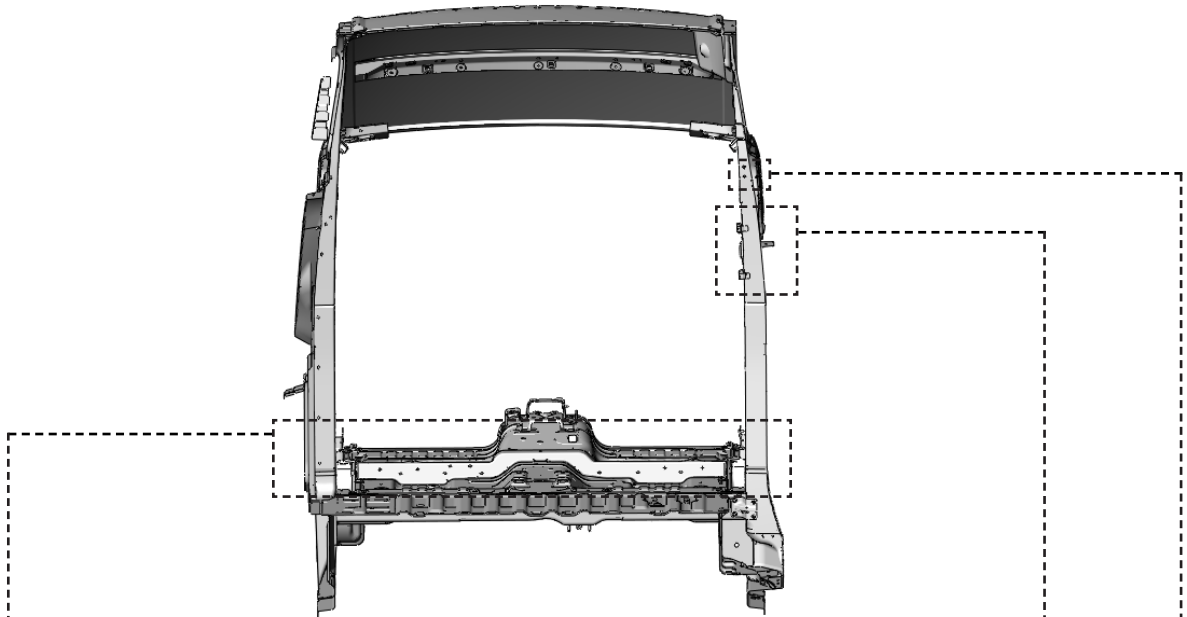
#99-109 Christmas tree plug

# PHASE 2 – INSTALL

## 2.1 VEHICLE PREPARATION

2.2.1 Remove the grab handle, the cap on the B-pillar and and the 2 D-rings in the van.

**NOTE:** Keep the hardware from the grab handle for re-use.



### TOOLS

- Cordless Impact
- 13mm Socket



### TOOLS

- Cordless Impact
- 13mm Socket



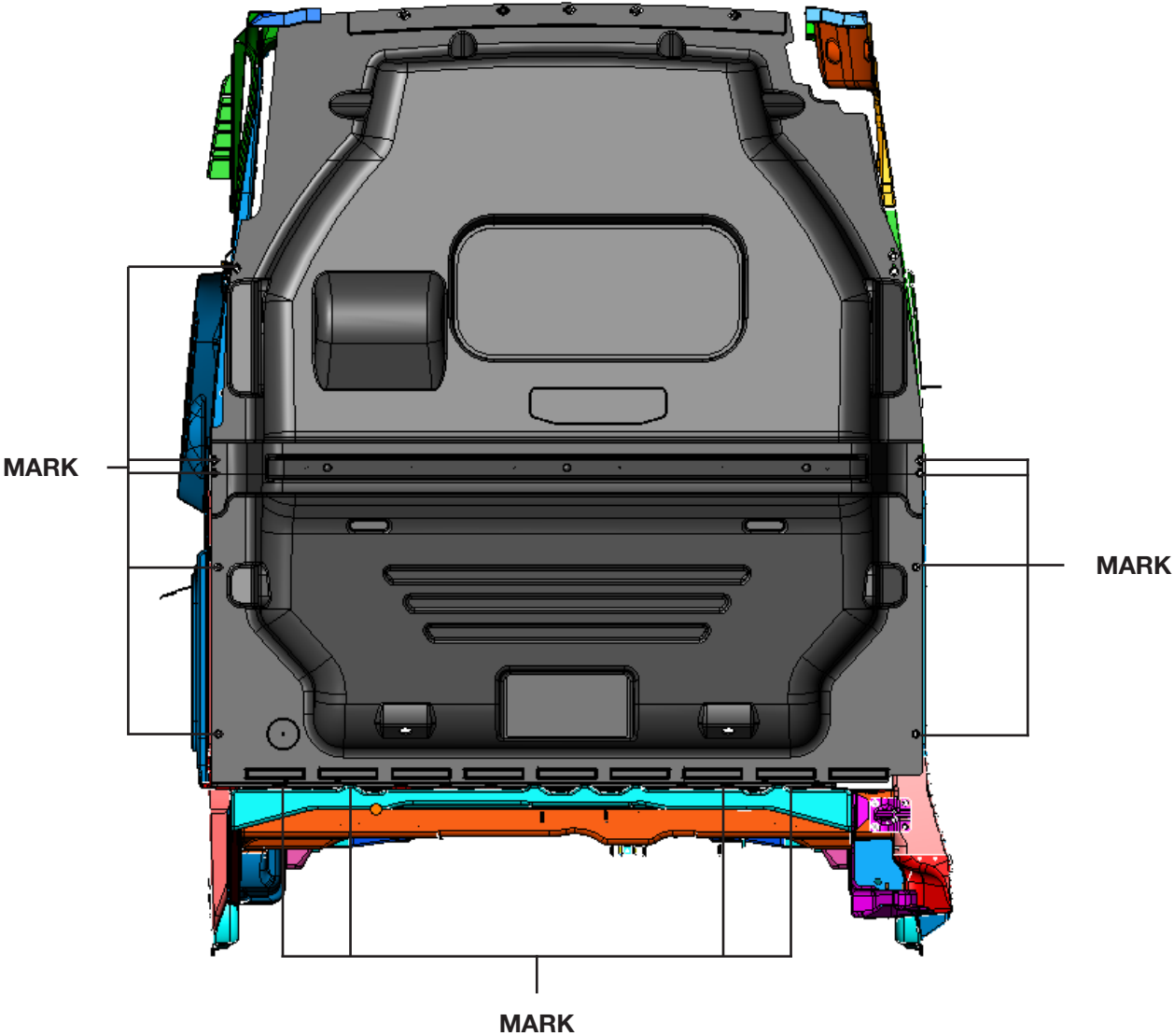
### TOOLS

- Cordless Impact
- 13mm Socket

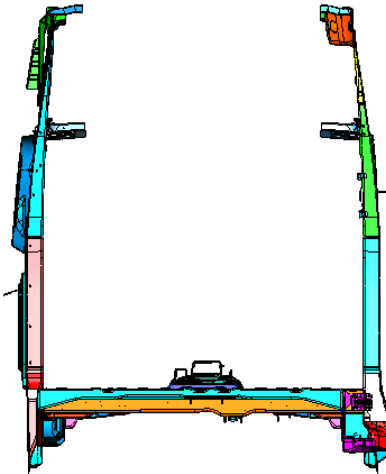
2.1.2 Lift the assembled partition in the van and put it in place, then mark all the hole.

**TOOLS**

- Marker



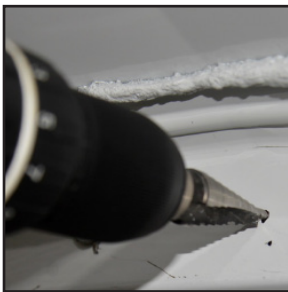
### 2.1.3 Driver and passenger sides preparation.



Use 1" hole saw to drill through the plastic cover and floor.

#### TOOLS

- 1" Hole Saw
- Cordless Drill



Check all holes of the partition if they are aligned in the holes of the van, then enlarge all the holes in the van that align with the holes of the partition using 3/8" drill bit or step drill.

- NOTE:**
- Make new holes in the van if the holes are not aligned with the hole of the partition.
  - If the van has a rubber or wood floor use a 1" hole saw to drill the floor and use a 3/8" drill bit or step drill to make a hole in the van (make sure the holes are aligned with the holes of the partition.)

#### TOOLS

- Cordless Drill
- 3/8" Drill Bit or Step Drill
- 1" Hole Saw



Attach a plusnuts in the holes.

#### TOOLS

- Plusnut Tool

#### HARDWARE USED

**24x**



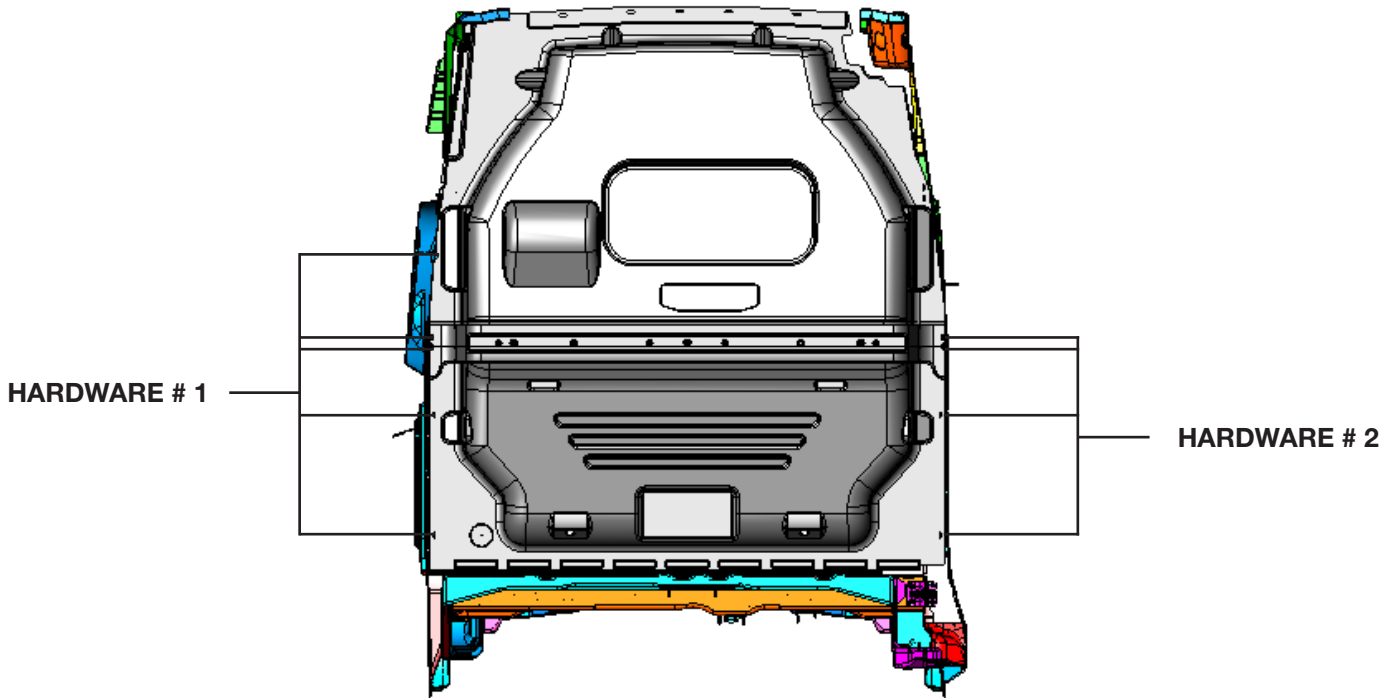
# 94-130  
Plusnut .250



# PHASE 2 – INSTALL

## 2.2 PARTITION INSTALLATION

2.2.1 Lift and place the partition back on the van, then attach the partition to the van.



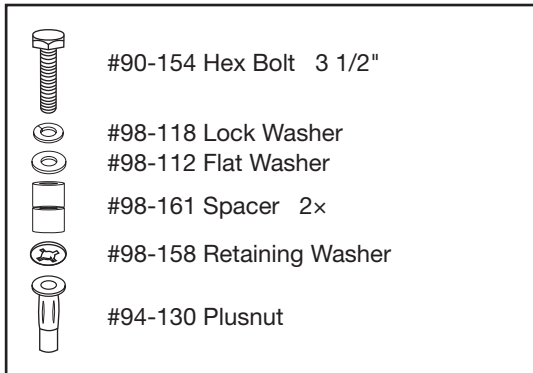
### HARDWARE # 1

#### TOOLS

- Cordless Impact
- 7/16" Socket

#### HARDWARE USED

5x



### HARDWARE # 2

#### TOOLS

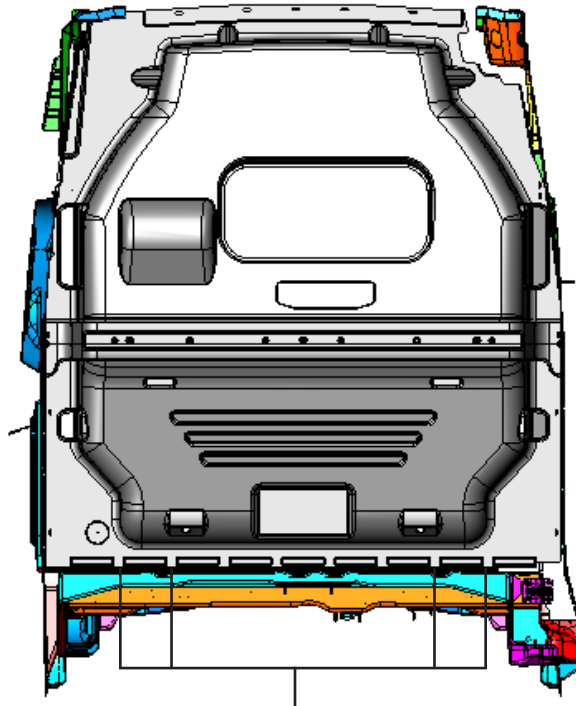
- Cordless Impact
- 7/16" Socket

#### HARDWARE USED

4x



2.2.2 Lift and place the partition back on the van, then attach the partition to the van.



**HARDWARE # 3**

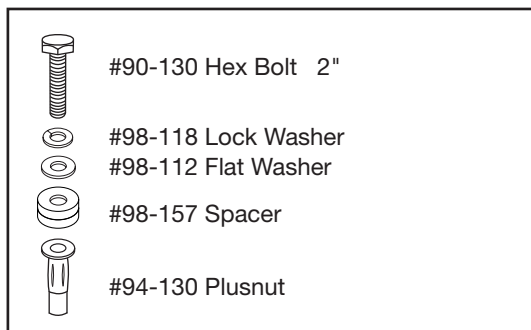
**HARDWARE # 3**

**TOOLS**

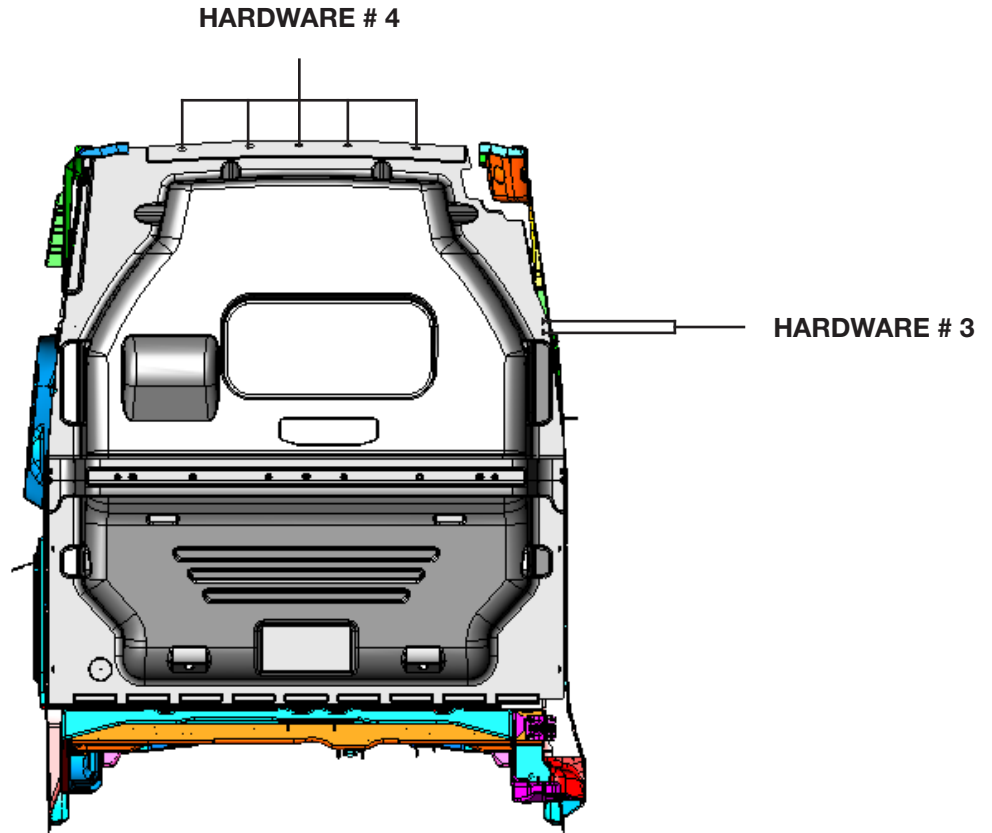
- Cordless Impact
- 7/16" Socket

**HARDWARE USED**

**4x**



2.2.3 Bolt the top panel of the partition to the van.






**HARDWARE # 3**

**TOOLS**

- Cordless Impact
- 13mm Socket

**HARDWARE USED**

**2x**

-  #90-666 Hex Bolt M8 x 20
-  #98-122 Lock Washer
-  #98-116 Flat Washer




**HARDWARE # 4**

**TOOLS**

- Cordless Impact
- 13mm Socket

**HARDWARE USED**

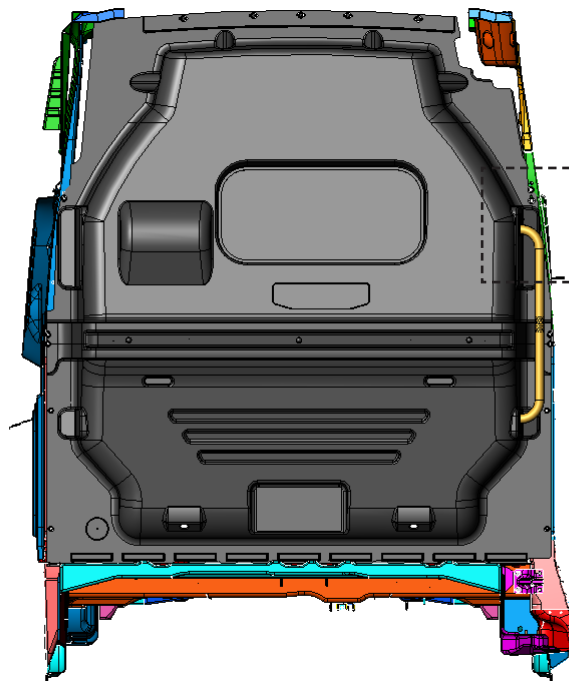
**5x**

-  #90-975 Hex Bolt M8 x 50
-  #98-122 Lock Washer
-  #98-116 Flat Washer

# PHASE 2 – INSTALLATION

## 2.3 HANDLE INSTALLATION

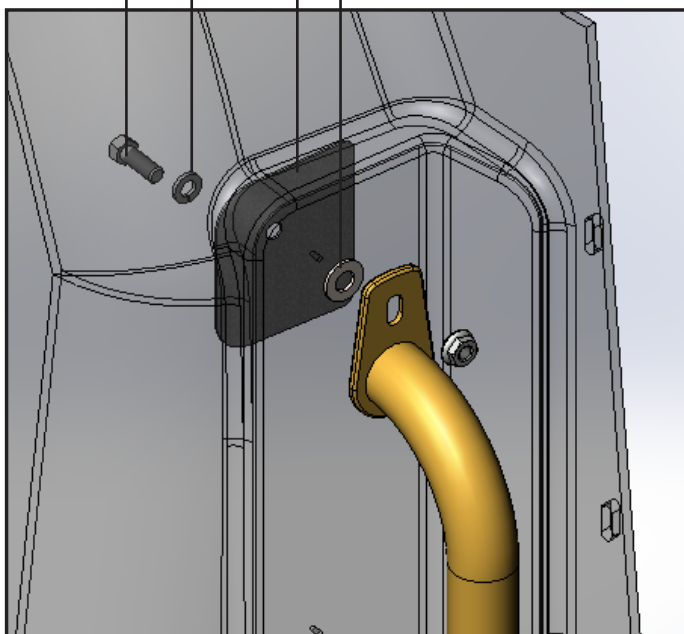
2.3.1 Attach the handle on the passenger side of the van.



INSIDE



FLAT WASHER



**NOTE:** You need to enlarge the hole in the partition panel.

### TOOLS

- Cordless Impact
- Cordless Drill
- 1/2" Socket
- 3/8" Drill Bit

### HARDWARE USED

**2x** GRAB HANDLE FASTENER KIT



#90-206 Hex Bolt 5/16" x 7/8"



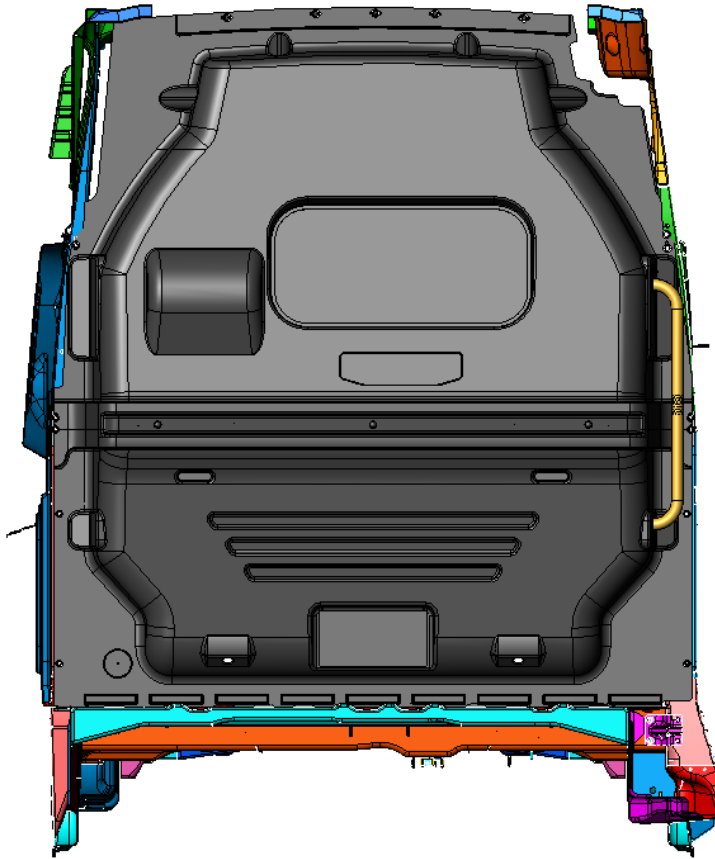
#98-122 Lock Washer



#98-116 Flat Washer



#94-116 Serrated Nut



**“You have successfully installed your  
Partition**

**Thank you for doing business with us.”**

For any feedback or suggestions you may have, please contact: [cs@rangerdesign.com](mailto:cs@rangerdesign.com)

