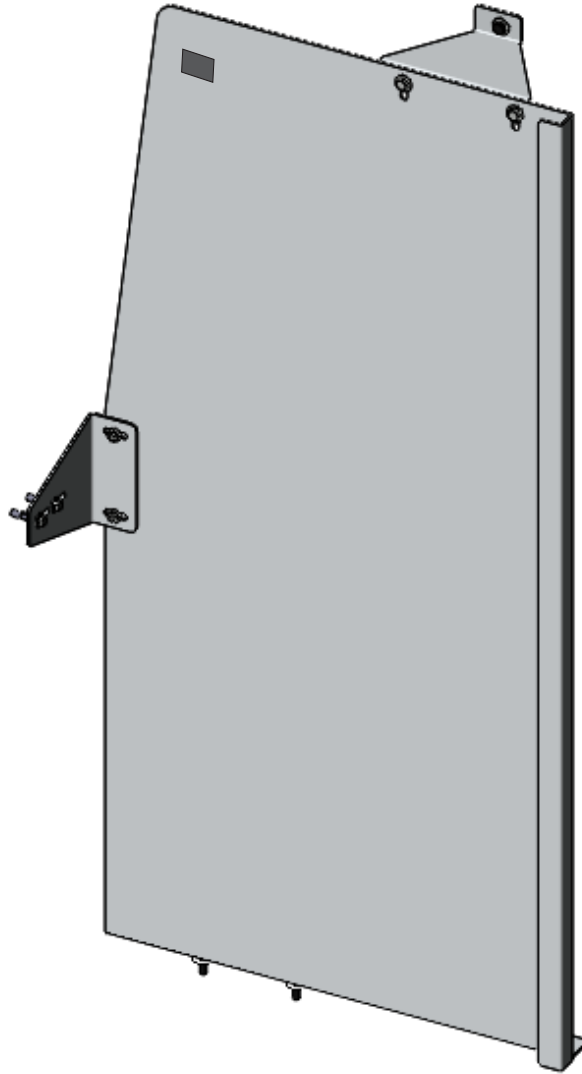


INSTALLATION GUIDE



3060-NL STRAIGHT PARTITION

Nissan NV (Aluminum)



QUICK START GUIDE

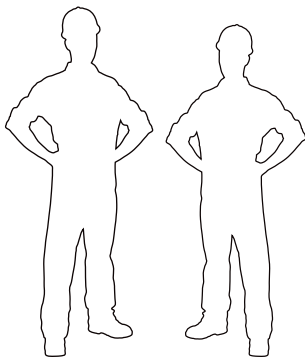
Phase 1 - Assembly

<input type="checkbox"/> 1.1 Setup.....	3
<input type="checkbox"/> 1.1.1 Unpack components; compare with the bill of materials.....	3
<input type="checkbox"/> 1.1.2 Verify all parts are present.....	3
<input type="checkbox"/> 1.1.3 Identify the assembly and installation fastener bags.....	4
<input type="checkbox"/> 1.2 Partition assembly.....	5
<input type="checkbox"/> 1.2.1 Remove all the PVC from all the parts, then attach the ceiling bracket and the driver side wing to the driver side panel.....	5
<input type="checkbox"/> 1.2.2 Attach the edge trims along left side of the driver side panel.....	6

Phase 2 - Installation

<input type="checkbox"/> 2.1 Tips on how to attach a plusnut.....	7
<input type="checkbox"/> 2.1.1 Attach plusnut using plusnut gun.....	7
<input type="checkbox"/> 2.1.2 Attach plusnut using Ranger plusnut tool.....	7
<input type="checkbox"/> 2.2 Vehicle preparation.....	8
<input type="checkbox"/> 2.2.1 Remove D-ring on the driver side of the van.....	8
<input type="checkbox"/> 2.2.2 Attaching plusnuts.....	9
<input type="checkbox"/> 2.3 Straight partition installation.....	10
<input type="checkbox"/> 2.3.1 Attach the driver side wing in the van.....	10
<input type="checkbox"/> 2.3.2 Attach the ceiling bracket in the van.....	11
<input type="checkbox"/> 2.3.3 Attach the driver side panel in the van.....	12
<input type="checkbox"/> 2.3.4 Apply the warning label on the right side of the driver side panel.....	13

REQUIRED ITEMS



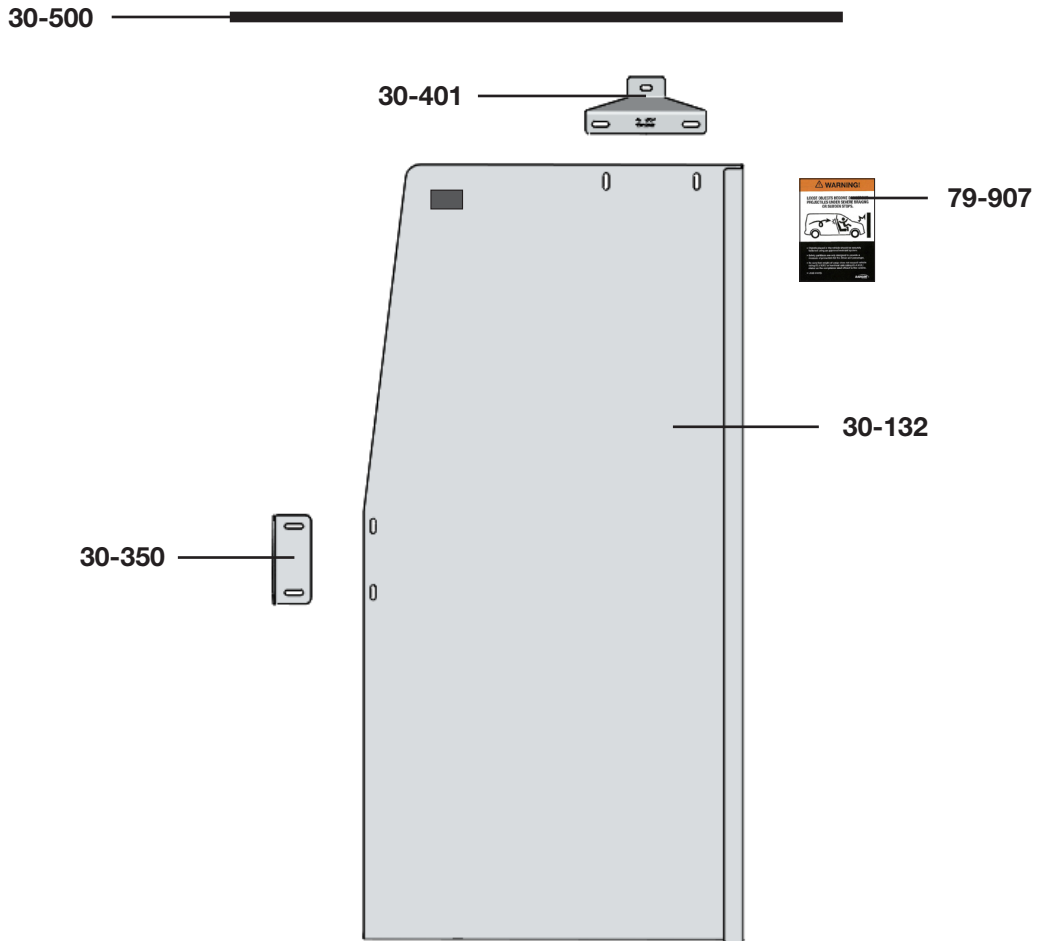
2
PERSONS

- Cordless Impact
- Cordless Drill
- Cutter
- Mallet
- Marker
- Plusnut Tool
- Tape Measure
- 3/8" Drill Bit
- 7/16" Socket
- 1/2" Socket
- 9/16" Wrench
- 13mm Socket

PHASE 1 – ASSEMBLY

1.1 SETUP

1.1.1 Unpack components; compare with the bill of materials.



1.1.2 Verify all parts are present.


Item No.	Description	Qty.
30-132	Driver Side Panel	1
30-350	Driver Side Wing	1
30-401	Ceiling Bracket	1
30-500	Edge Trim (QTY in Inches)	50
79-907	Warning Label	1
94-8001	Assembly Fastener Bag	1
96-3027	Installation Fastener Bag	1

1.1.3 Identify the **Assembly** and **Installation** fastener bags.

Assembly Fastener Bag →

- 4x  # 90-204 Hex Bolt
5/16"-18 x 3/4"
GR-5 ZINC
- 4x  # 94-116 Serrated Nut
5/16"-18
ZINC
- 4x  # 98-116 Flat Washer
5/16", 7/8" OD
ZINC

Hardware Assembly




- 4x
-  #90-204 Hex Bolt 5/16" x 3/4"
 -  #98-116 Flat Washer
 -  #94-116 Serrated Nut





Installation Fastener Bag →

- 2x  # 90-114 Hex Bolt
1/4"-20 x 1"
GR-5 ZINC
- 1x  # 90-666 Hex Bolt
M8-1.25 x 20 CL 8.8 DIN
933 BLACK OXIDE
- 2x  # 90-668 Hex Bolt
M8-1.25 x 40 CL 8.8 DIN
933 BLACK OXIDE
- 2x  # 94-130 Plusnut .250
- 2x  # 98-112 Flat Washer
1/4", 3/4" OD
ZINC
- 3x  # 98-116 Flat Washer
5/16", 7/8" OD
ZINC
- 2x  # 98-118 Lock Washer
Regular 1/4"
ZINC
- 3x  # 98-122 Lock Washer
Regular 5/6"
ZINC
- 4x  # 98-157 Spacer
0.375" ID, x 1.0" OD x 0.25" L
NYLON

Hardware Assembly

- 2x
-  #90-114 Hex Bolt 1/4" x 1"
 -  #98-118 Lock Washer
 -  #98-112 Flat Washer
 -  #94-130 Plusnut .250

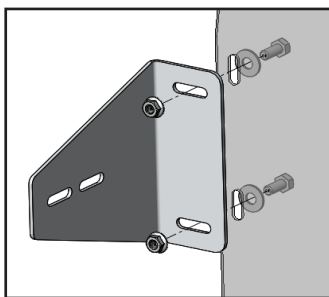
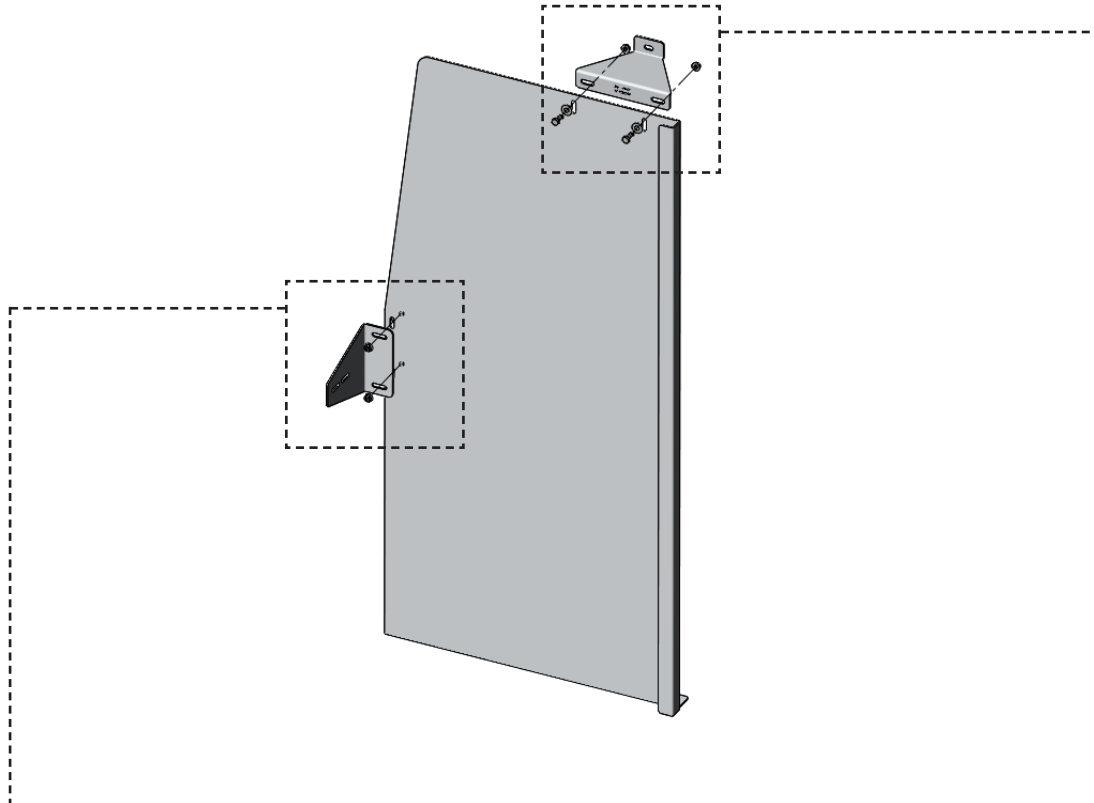
- 1x
-  #90-666 Hex Bolt M8 x 20
 -  #98-122 Lock Washer
 -  #98-116 Flat Washer

- 2x
-  #90-668 Hex Bolt M8 x 40
 -  #98-122 Lock Washer
 -  #98-116 Flat Washer
 -  #98-157 Spacers (2)

PHASE 1 – ASSEMBLY

1.2 PARTITION ASSEMBLY

1.2.1 Remove all the PVC from all the parts, then attach the ceiling bracket and the driver side wing to the driver side panel.






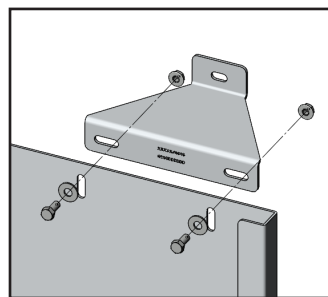
TOOLS

- Cordless Impact
- 1/2" Socket

HARDWARE USED

2x

-  #90-204 Hex Bolt 5/16" x 3/4"
-  #98-116 Flat Washer
-  #94-116 Serrated Nut






TOOLS

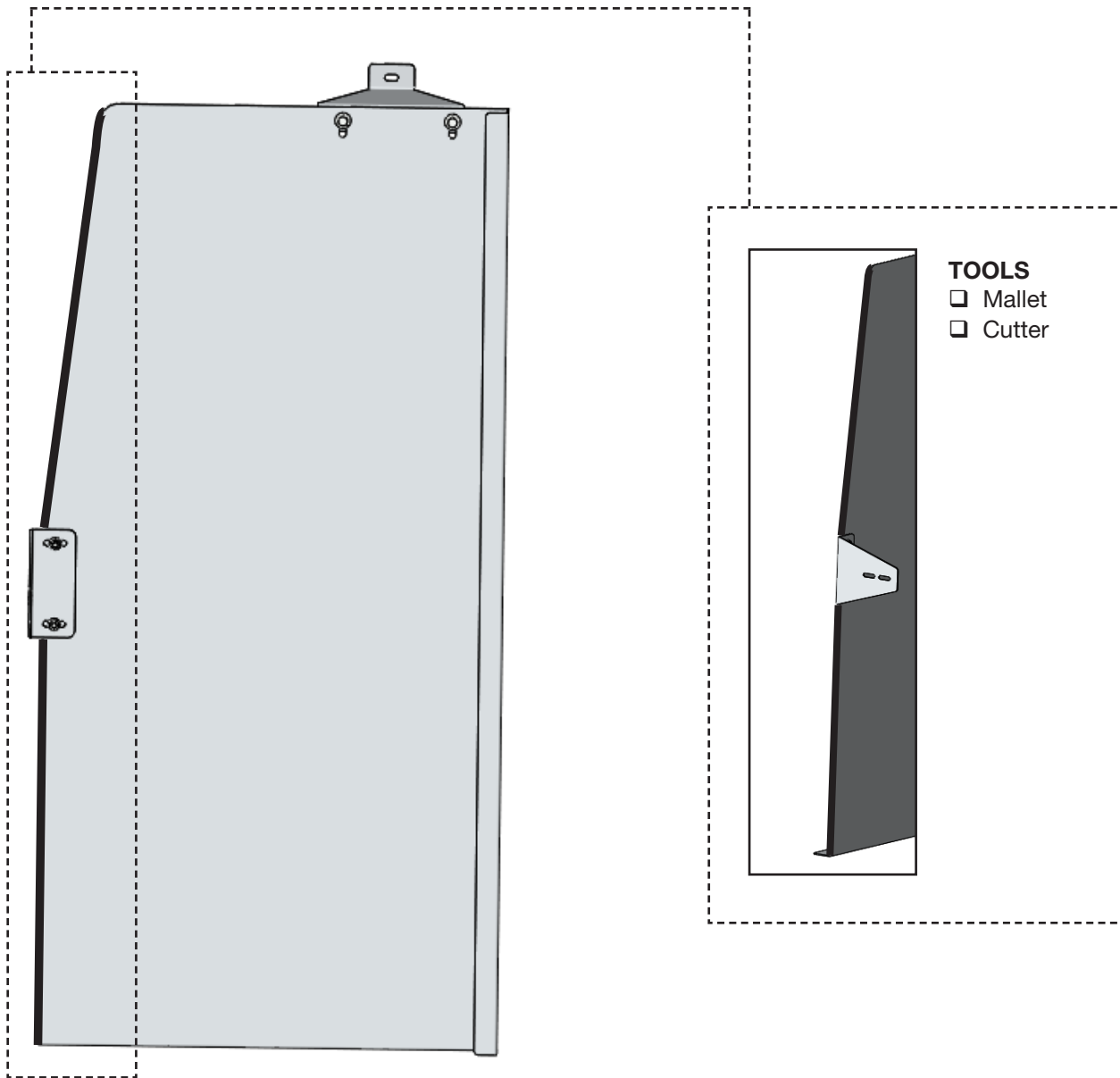
- Cordless Impact
- 1/2" Socket

HARDWARE USED

2x

-  #90-204 Hex Bolt 5/16" x 3/4"
-  #98-116 Flat Washer
-  #94-116 Serrated Nut

1.2.2 Attach the edge trims along left side of the driver side panel.

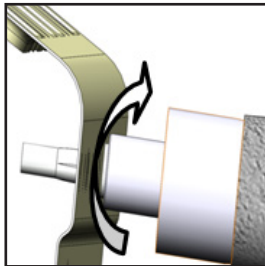


PHASE 2 – INSTALLATION

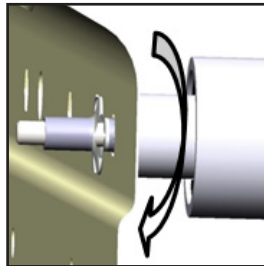
2.1 TIPS ON HOW TO ATTACH A PLUSNUT

2.1.1 Attach the plusnut using the plusnut gun.

TIPS: Put the plusnut on the plusnut gun, then attach the plusnut in the hole by turning the gun forward until the plusnut locks, then remove the gun by turning in reverse.



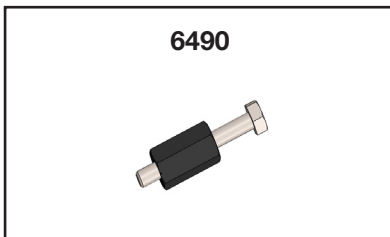
FORWARD



REVERSE



2.1.2 Attach the plusnut using the 6490 plusnut tool.

NOTE: The hardware used for the 6490 plusnut tool is not included in the fastener bag. The 6490 plusnut tool can be ordered separately upon demand at no charge.



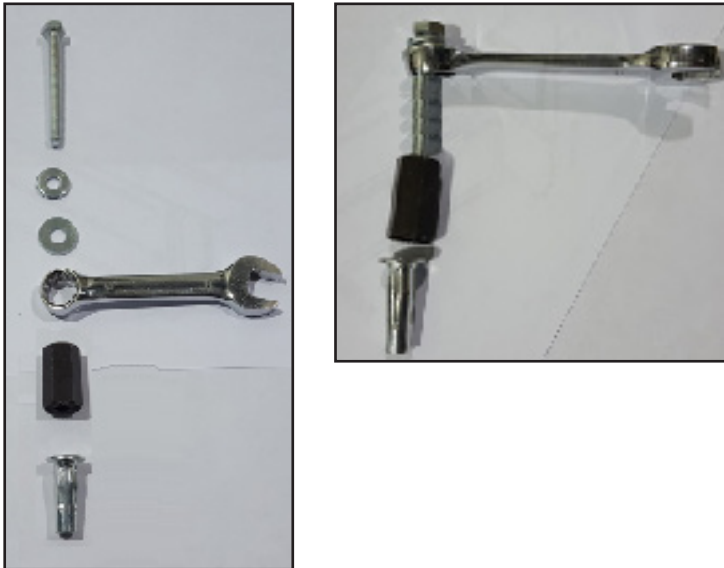
6490

HARDWARE USED


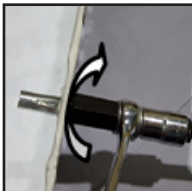
-  Flat washer 1/4"
-  Flat washer 1/4" BS x 3/4" OD

- TOOLS**
- Cordless Impact
 - 7/16" Socket
 - 9/16" Wrench

TIPS STEP 1:
Assemble the 6490 plusnut tool with the hardware needed, plusnut and the 9/16" wrench as shown.



TIPS STEP 2:
Attach the plusnut in the hole by turning the bolt forward using an impact with a 7/16" socket until the plusnut locks, then remove the bolt by turning the impact in reverse.

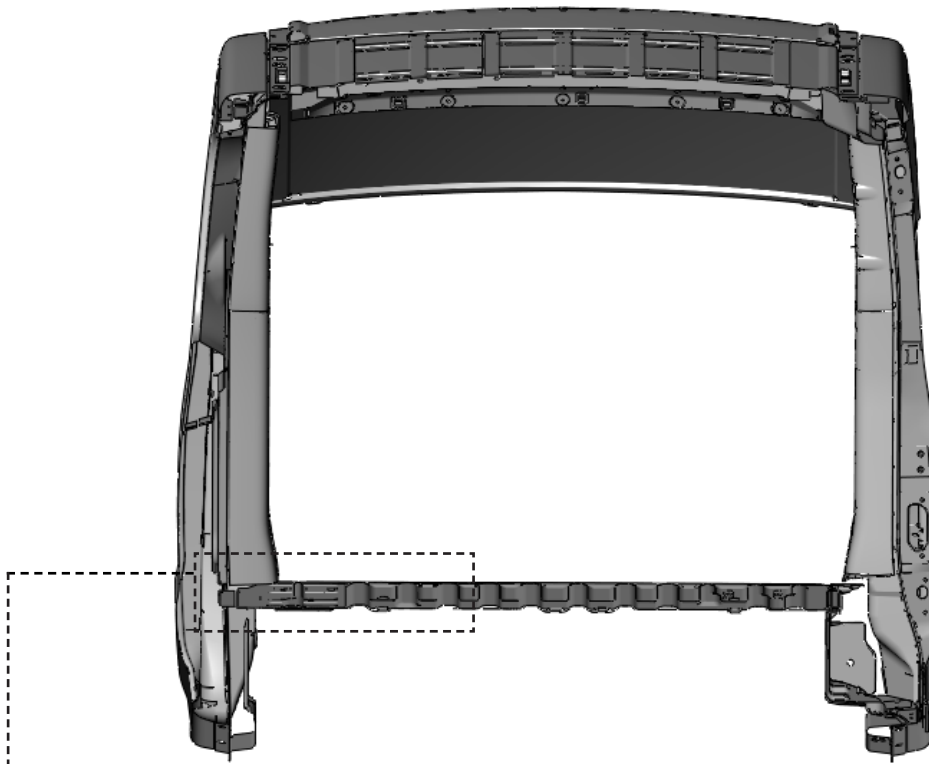


FORWARD **REVERSE**

PHASE 2 – INSTALLATION

2.2 VEHICLE PREPARATION

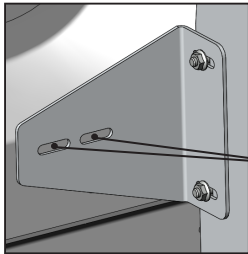
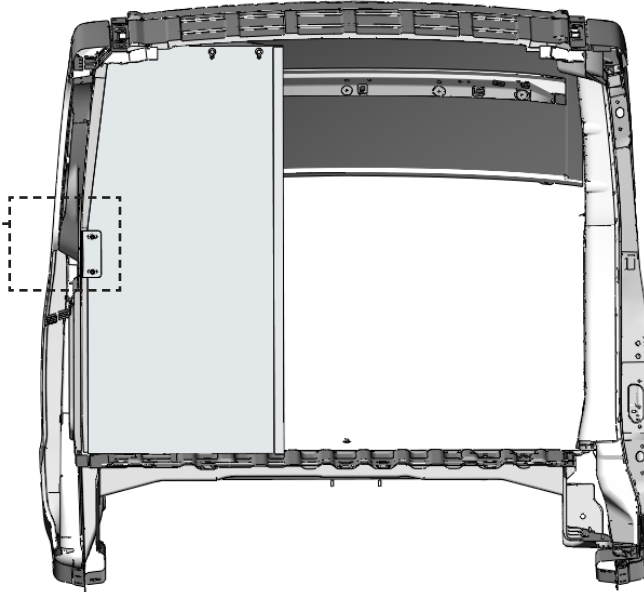
2.2.1 Remove D-ring on the driver side of the van.



TOOLS

- ☐ Cordless Impact
- ☐ 13mm Socket

2.2.2 Attaching plusnuts.



Put the assembled partition in place, then put a mark on the van through the 2 holes of the driver side wing.

MARKS

TOOLS

- Marker



Drill the 2 marks using 3/8" drill bit or step drill.

TOOLS

- Cordless Drill
- 3/8" Drill Bit or Step Drill



Attach plusnuts in the 2 holes.

TOOLS

- Plusnut Tool

HARDWARE USED

2x

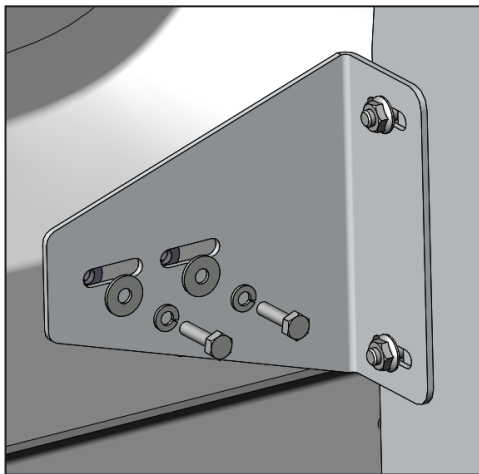
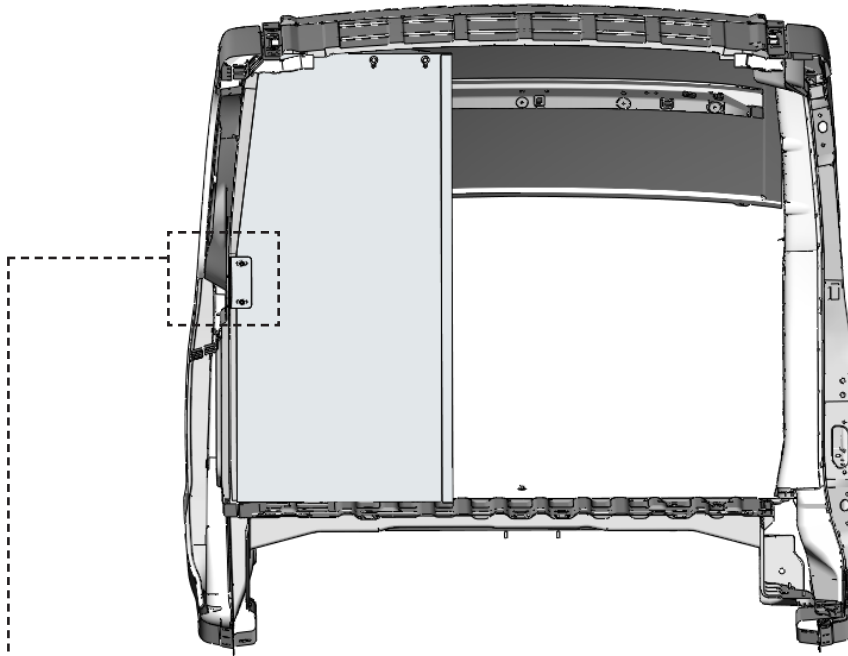


94-130
Plusnut .250

PHASE 2 – INSTALLATION

2.3 STRAIGHT PARTITION INSTALLATION

2.3.1 Attach the driver side wing in the van.



TOOLS

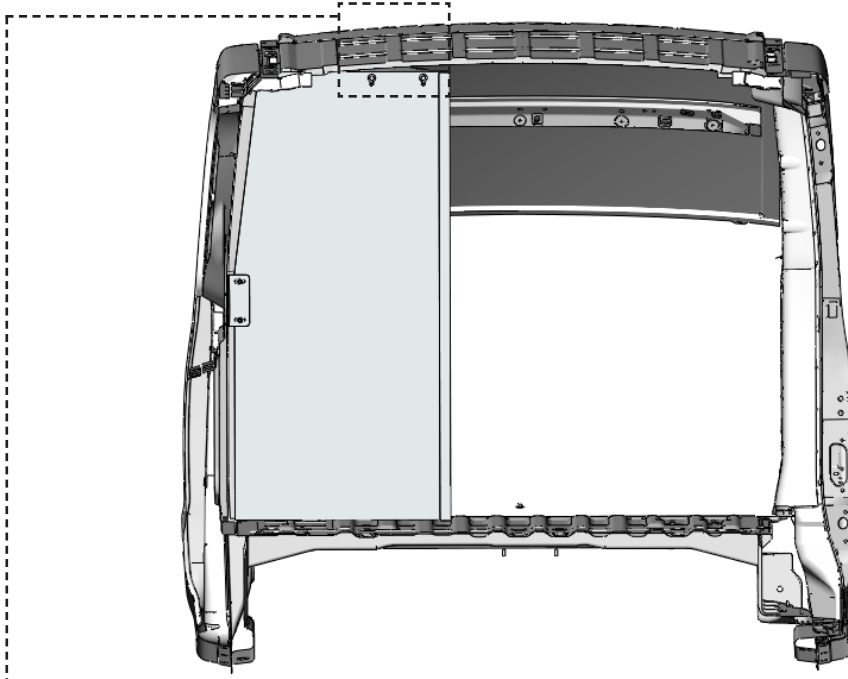
- Cordless Impact
- 7/16" Socket

HARDWARE USED

2x

- | | |
|---|----------------------------|
|  | #90-114 Hex Bolt 1/4" x 1" |
|  | #98-118 Lock Washer |
|  | #98-112 Flat Washer |

2.3.2 Attach the ceiling bracket in the van.



TOOLS

- Cordless Impact
- 13mm Socket

HARDWARE USED

1x



#90-666 Hex Bolt M8 x 20



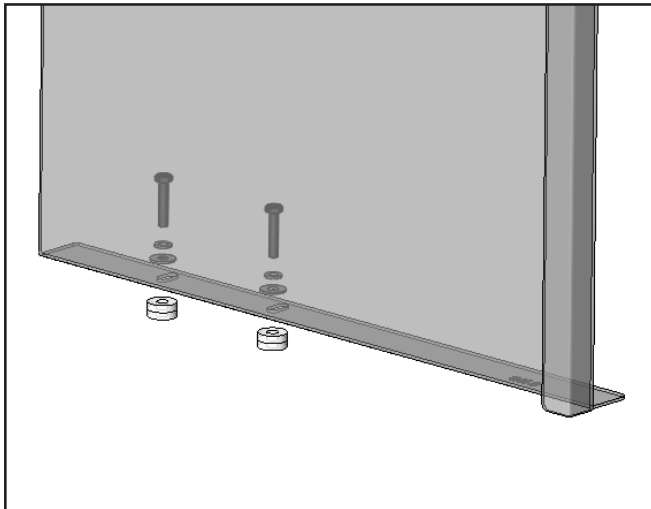
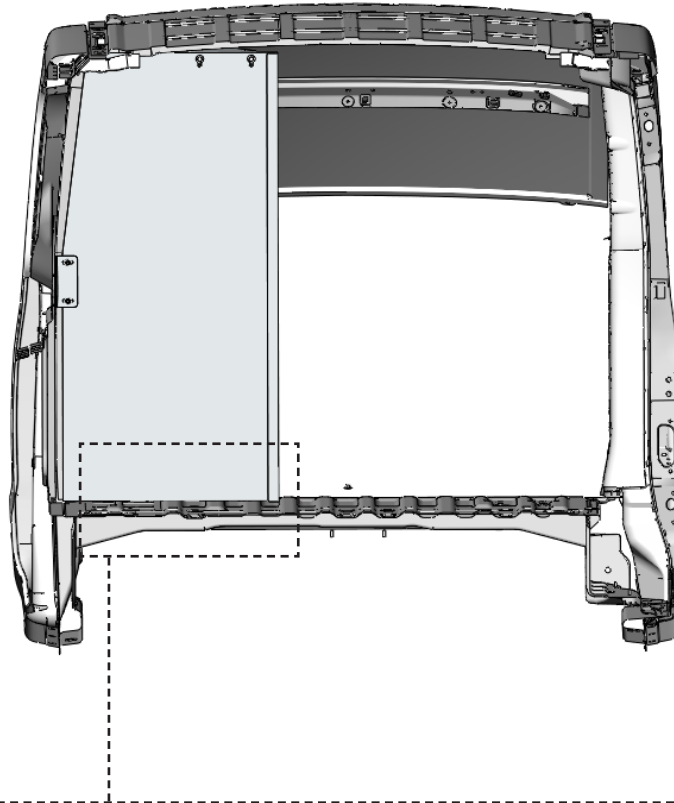
#98-122 Lock Washer



#98-116 Flat Washer

2.3.3 Attach the driver side panel in the van.

NOTE: Use spacers to level the floor.






TOOLS

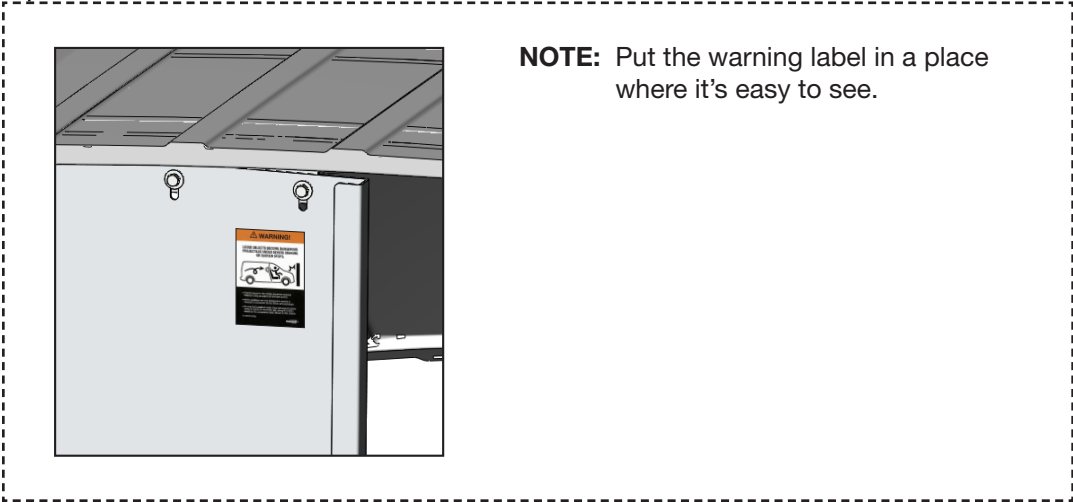
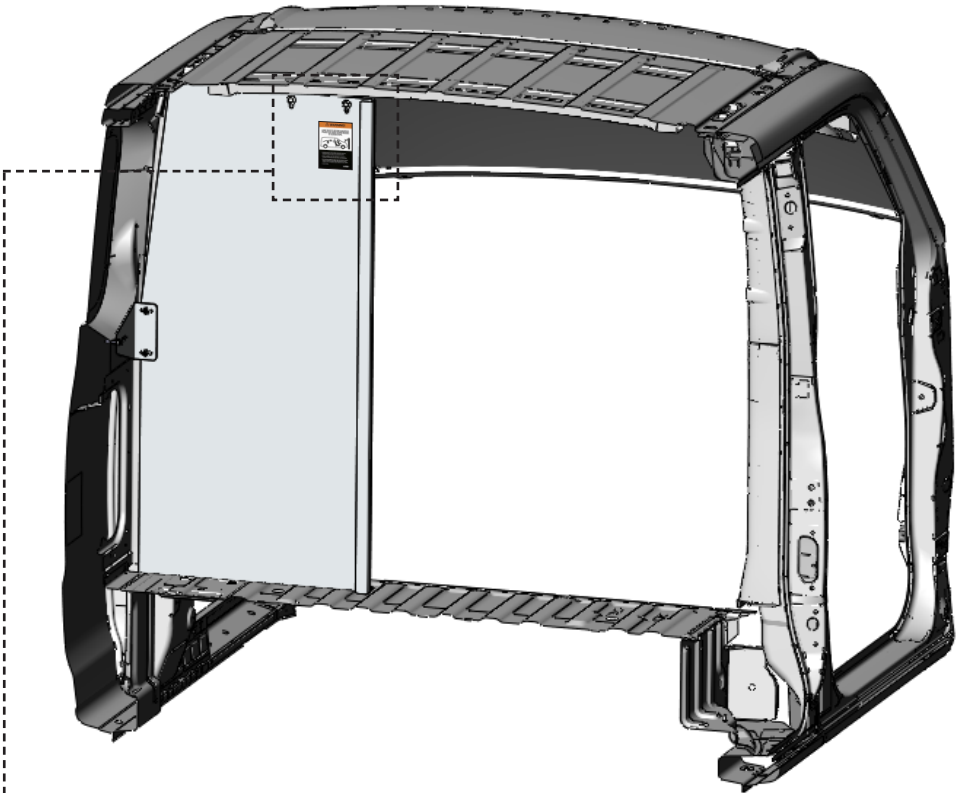
- Cordless Impact
- 13mm Socket

HARDWARE USED

2x

- | | |
|--|--------------------------|
|  | #90-668 Hex Bolt M8 x 40 |
|  | #98-122 Lock Washer |
|  | #98-116 Flat Washer |
|  | #98-157 Spacers (2) |

2.3.4 Apply the warning label on the right side of the driver side panel.



NOTE: Put the warning label in a place where it's easy to see.



**“Congratulations, you have successfully installed your
Straight Partition!”**

Thank you for doing business with us.”

