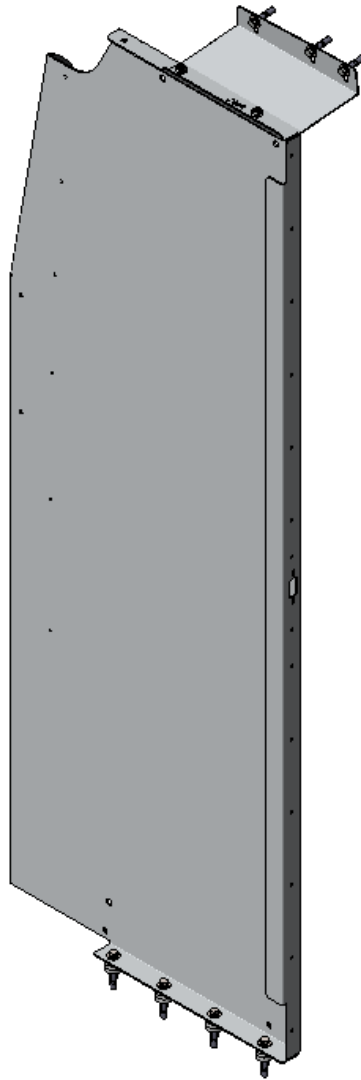


INSTALLATION GUIDE



3060-DL STRAIGHT PARTITION

Sprinter (Low Roof, Aluminum)



QUICK START GUIDE

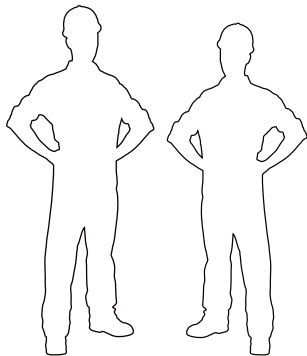
Phase 1 - Assembly

<input type="checkbox"/> 1.1 Setup.....	3
<input type="checkbox"/> 1.1.1 Unpack components; compare with the bill of materials.....	3
<input type="checkbox"/> 1.1.2 Verify all parts are present.....	3
<input type="checkbox"/> 1.1.3 Identify the assembly and installation fastener bags.....	4
<input type="checkbox"/> 1.2 Partition assembly.....	5
<input type="checkbox"/> 1.2.1 Remove all the PVC from all the parts, then attach the edge trims on this location.....	5
<input type="checkbox"/> 1.2.2 Attach the top bracket to the driver panel.....	5

Phase 2 - Installation

<input type="checkbox"/> 2.1 Tips on how to attach a plusnut.....	6
<input type="checkbox"/> 2.1.1 Attach the plusnut using the plusnut gun.....	6
<input type="checkbox"/> 2.1.2 Attach the plusnut using the 6490 plusnut tool.....	6
<input type="checkbox"/> 2.2 Vehicle preparation.....	7
<input type="checkbox"/> 2.2.1 Floor preparation.....	7
<input type="checkbox"/> 2.2.2 Attaching plusnuts.....	8
<input type="checkbox"/> 2.3 Straight partition installation.....	9
<input type="checkbox"/> 2.3.1 Attach the partition to the van.....	9
<input type="checkbox"/> 2.3.2 Attach the top bracket to the van.....	10
<input type="checkbox"/> 2.3.3 Apply the warning label on the driver side panel.....	11

REQUIRED ITEMS



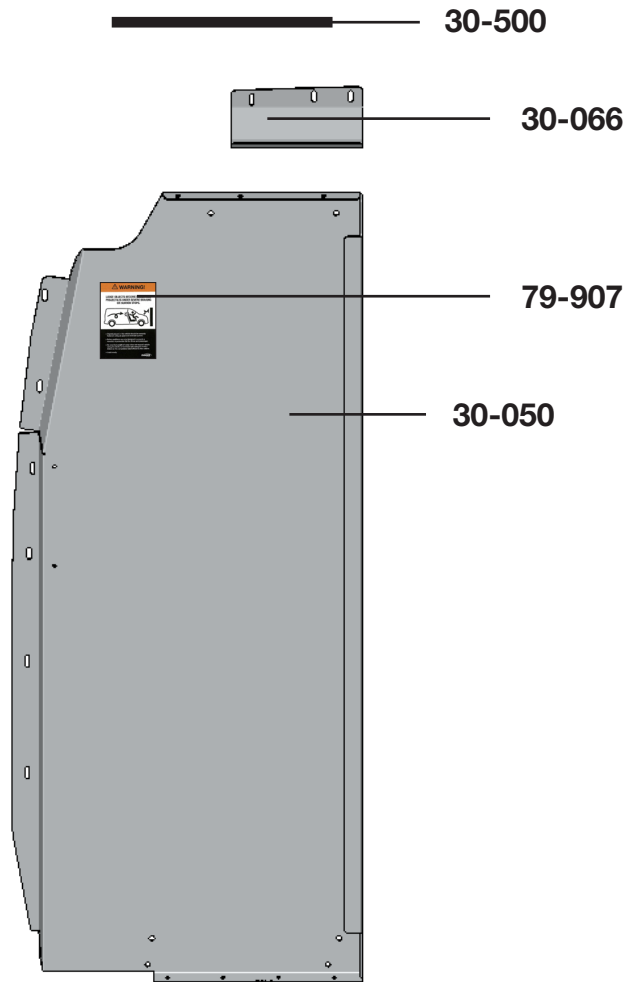
2
PERSONS

- Cordless Impact
- Cordless Drill
- Cutter
- Mallet
- Marker
- Plusnut Tool
- 3/8" Drill Bit
- 7/16" Socket
- 1/2" Socket
- 9/16" Wrench
- 1" Hole Saw

PHASE 1 – ASSEMBLY

1.1 SETUP

1.1.1 Unpack components; compare with the bill of materials.



1.1.2 Verify all parts are present.

Item No.	Description	Qty.
30-050	Driver Panel	1
30-066	Top Bracket	1
30-500	Edge Trim (QTY in Inches)	14
79-907	Warning Label	1
94-3032	Assembly Fastener Bag	1
96-3018	Installation Fastener Bag	1

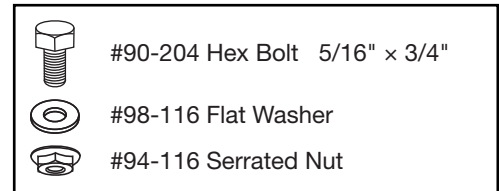
1.1.3 Identify the **Assembly** and **Installation** fastener bags.

Assembly Fastener Bag →

Hardware Assembly

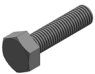
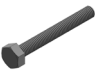
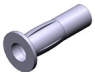



- 2x  # 90-204 Hex Bolt
5/16"-18 x 3/4"
GR-5 ZINC
- 2x  # 94-116 Serrated Nut
5/16"-18
ZINC
- 2x  # 98-116 Flat Washer
5/16", 7/8" OD
ZINC

2x

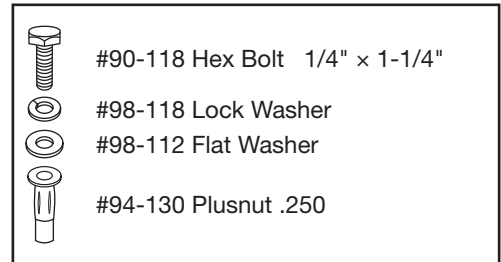


Installation Fastener Bag →

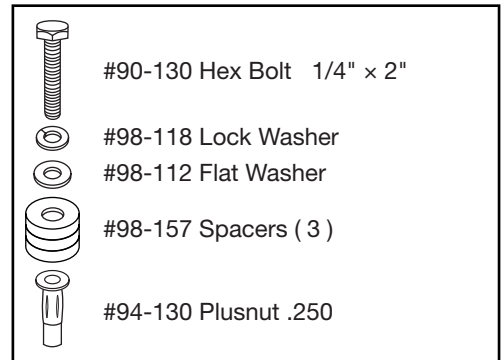
Hardware Assembly

- 9x  # 90-118 Hex Bolt
1/4"-20 x 1-1/4"
GR-5 ZINC
- 4x  # 90-130 Hex Bolt
1/4"-20 x 2"
GR-5 ZINC
- 13x  # 94-130 Plusnut .250
- 13x  # 98-112 Flat Washer
1/4", 3/4" OD
ZINC
- 13x  # 98-118 Lock Washer
Regular 1/4"
ZINC
- 12x  # 98-157 Spacer
0.375" ID, x 1.0" OD x 0.25" L
NYLON

9x



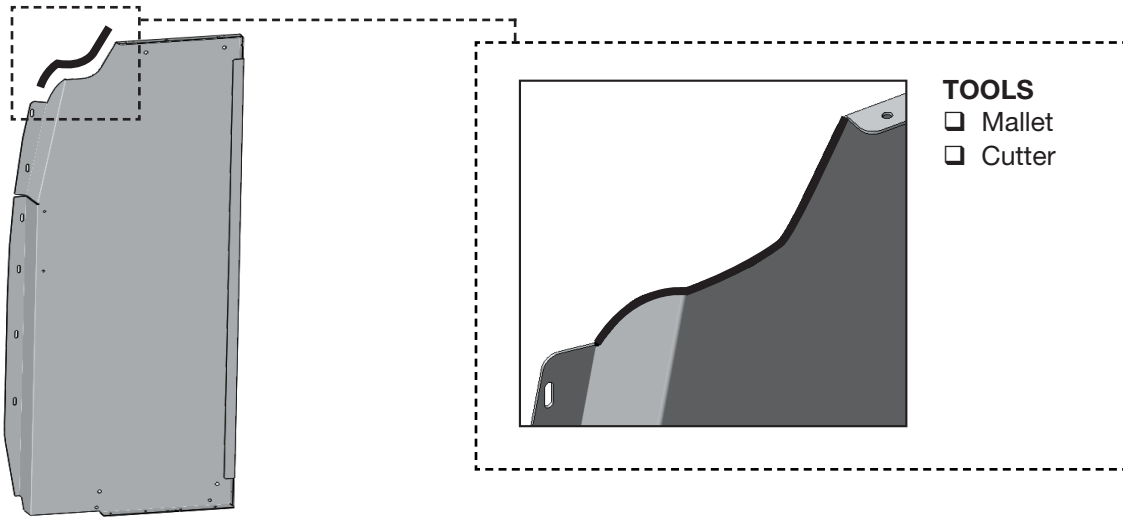
4x



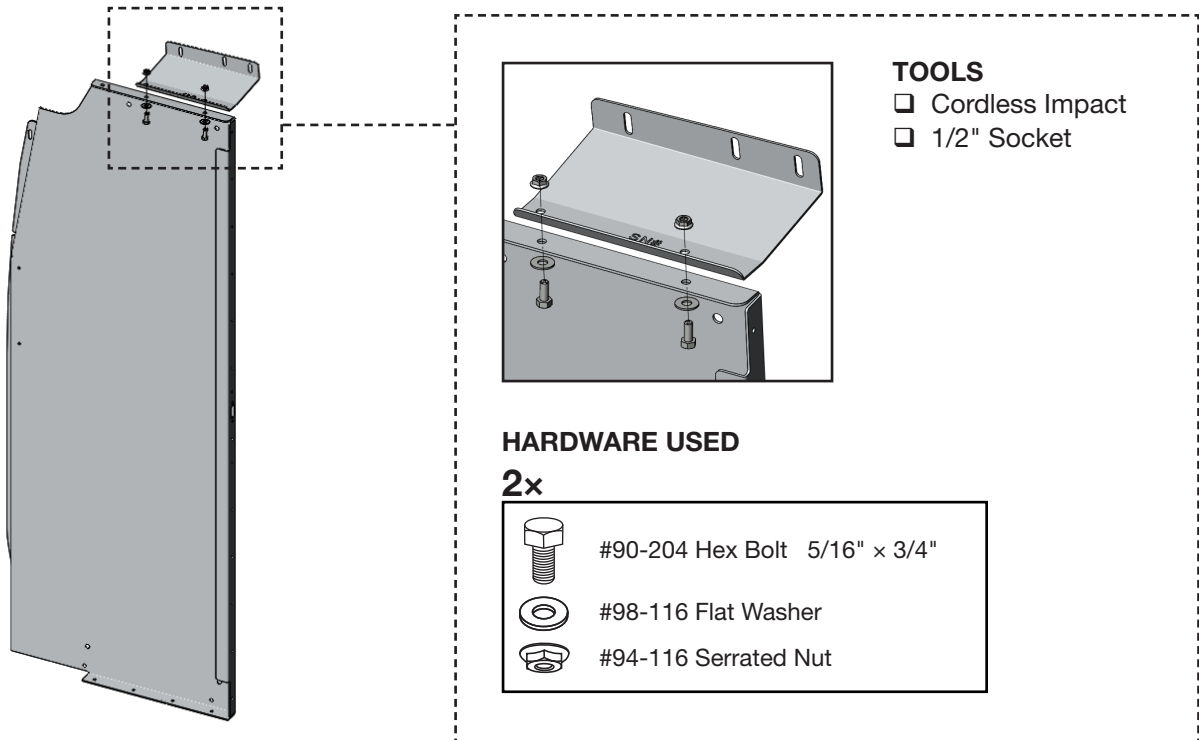
PHASE 1 – ASSEMBLY

1.2 PARTITION ASSEMBLY

1.2.1 Remove all the PVC from all the parts, then attach the edge trims on this location.



1.2.2 Attach the top bracket to the driver panel.

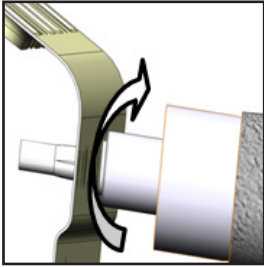


PHASE 2 – INSTALLATION

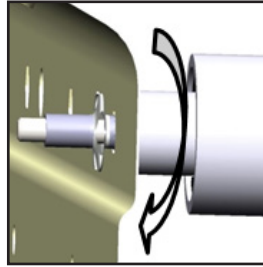
2.1 TIPS ON HOW TO ATTACH A PLUSNUT

2.1.1 Attach the plusnut using the plusnut gun.

TIPS: Put the plusnut on the plusnut gun, then attach the plusnut in the hole by turning the gun forward until the plusnut locks, then remove the gun by turning in reverse.



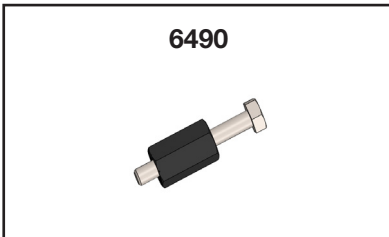
FORWARD



REVERSE



2.1.2 Attach the plusnut using the 6490 plusnut tool.

NOTE: The hardware used for the 6490 plusnut tool is not included in the fastener bag. The 6490 plusnut tool can be ordered separately upon demand at no charge.



6490

HARDWARE USED

-  Flat washer 1/4"
-  Flat washer 1/4" BS x 3/4" OD

TOOLS

- Cordless Impact
- 7/16" Socket
- 9/16" Wrench

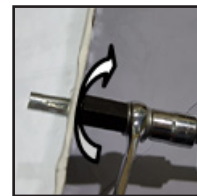
TIPS STEP 1:

Assemble the 6490 plusnut tool with the hardware needed, plusnut and the 9/16" wrench as shown.



TIPS STEP 2:

Attach the plusnut in the hole by turning the bolt forward using an impact with a 7/16" socket until the plusnut locks, then remove the bolt by turning the impact in reverse.



FORWARD



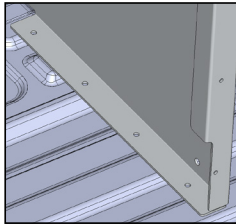
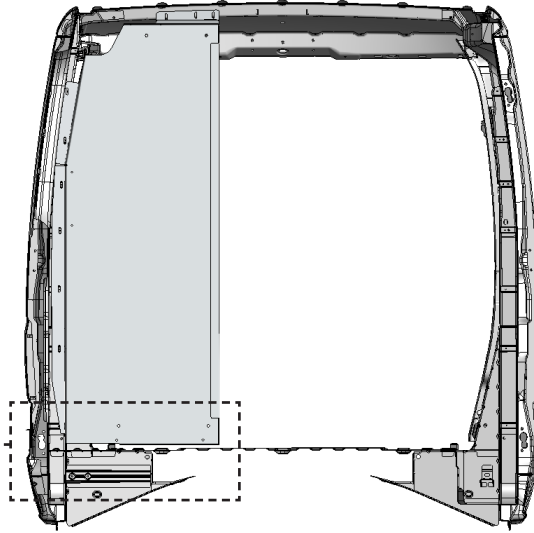
REVERSE

PHASE 2 – INSTALLATION

2.2 VEHICLE PREPARATION

2.2.1 Floor preparation.

NOTE: Put the partition in place and check if the holes of the partition align with the holes of the van.



Put the partition in place and mark the 4 floor holes using a marker.

TOOLS

- Marker



Drill the 4 marks.

NOTE: •If the van has a rubber or wood floor use a 1" hole saw to drill the floor and use a 3/8" drill bit or step drill to make a hole in the van (make sure the holes are aligned with the holes of the partition.)

TOOLS

- Cordless Drill
- 3/8" Drill Bit or Step Drill



Attach plusnuts in the 4 holes.

TOOLS

- Plusnut Tool

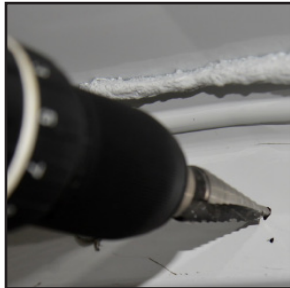
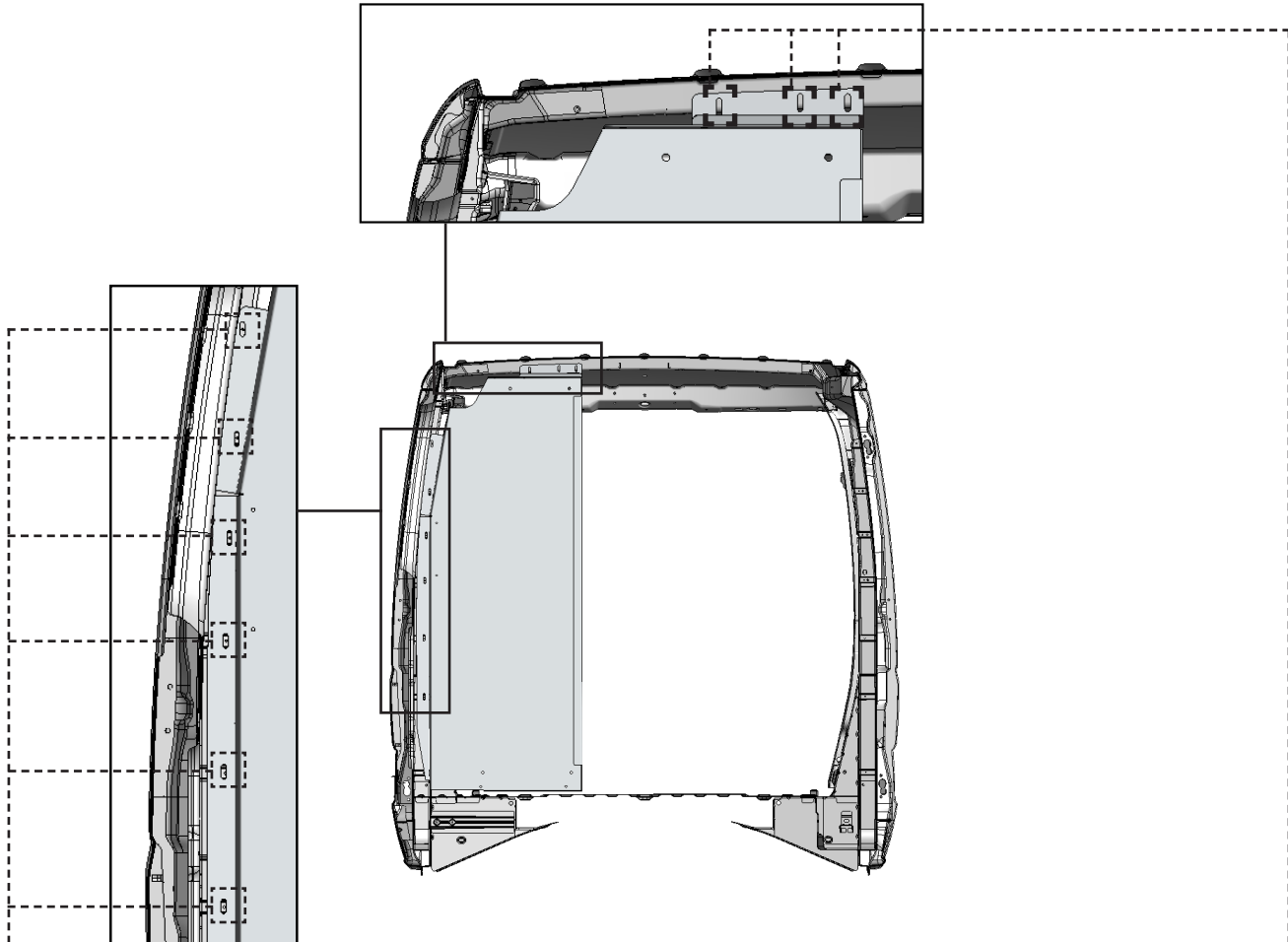
HARDWARE USED

4x



94-130
Plusnut .250

2.2.2 Attaching plusnuts.



Enlarge all the holes in the van that are aligned with the holes of the partition using 3/8" drill bit or step drill.

NOTE: Make new holes in the van if the holes are not aligned with the holes of the partition.

TOOLS

- Cordless Drill
- 3/8" Drill Bit or Step Drill

Attach plusnuts in the 8 holes.



TOOLS

- Plusnut Tool

HARDWARE USED

9x



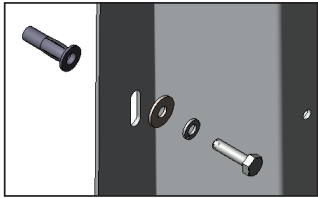
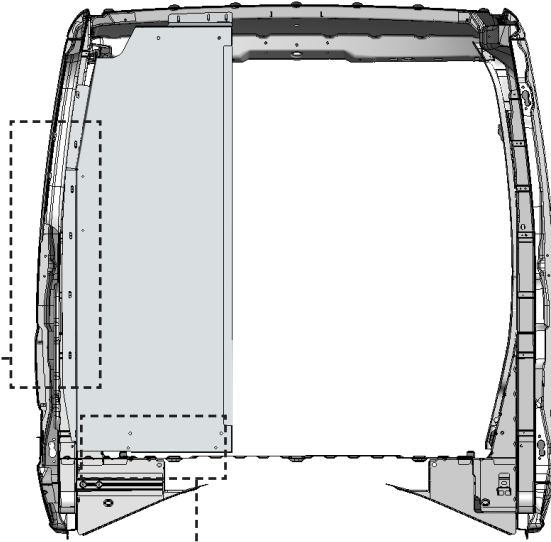
94-130
Plusnut .250

PHASE 2 – INSTALLATION

2.3 STRAIGHT PARTITION INSTALLATION

2.3.1 Attach the partition to the van.

NOTE: Use spacers to level the floor.






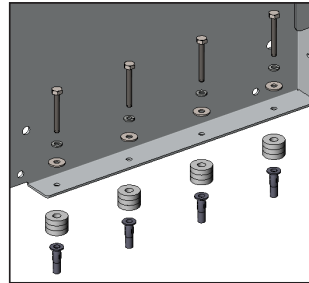
TOOLS

- Cordless Impact
- 7/16" Socket

HARDWARE USED

6x

-  #90-118 Hex Bolt 1/4" x 1-1/4"
-  #98-118 Lock Washer
-  #98-112 Flat Washer








TOOLS

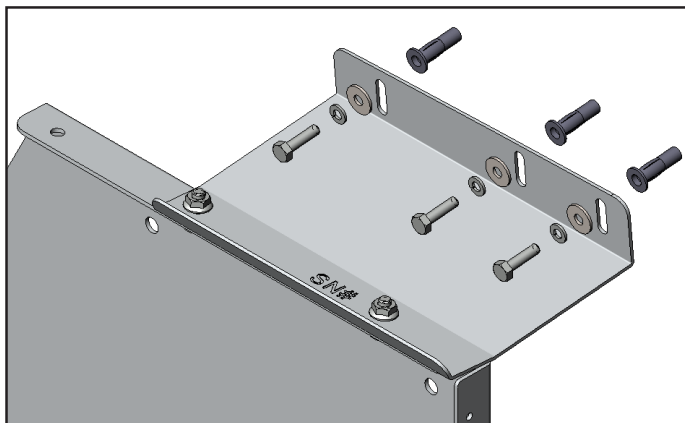
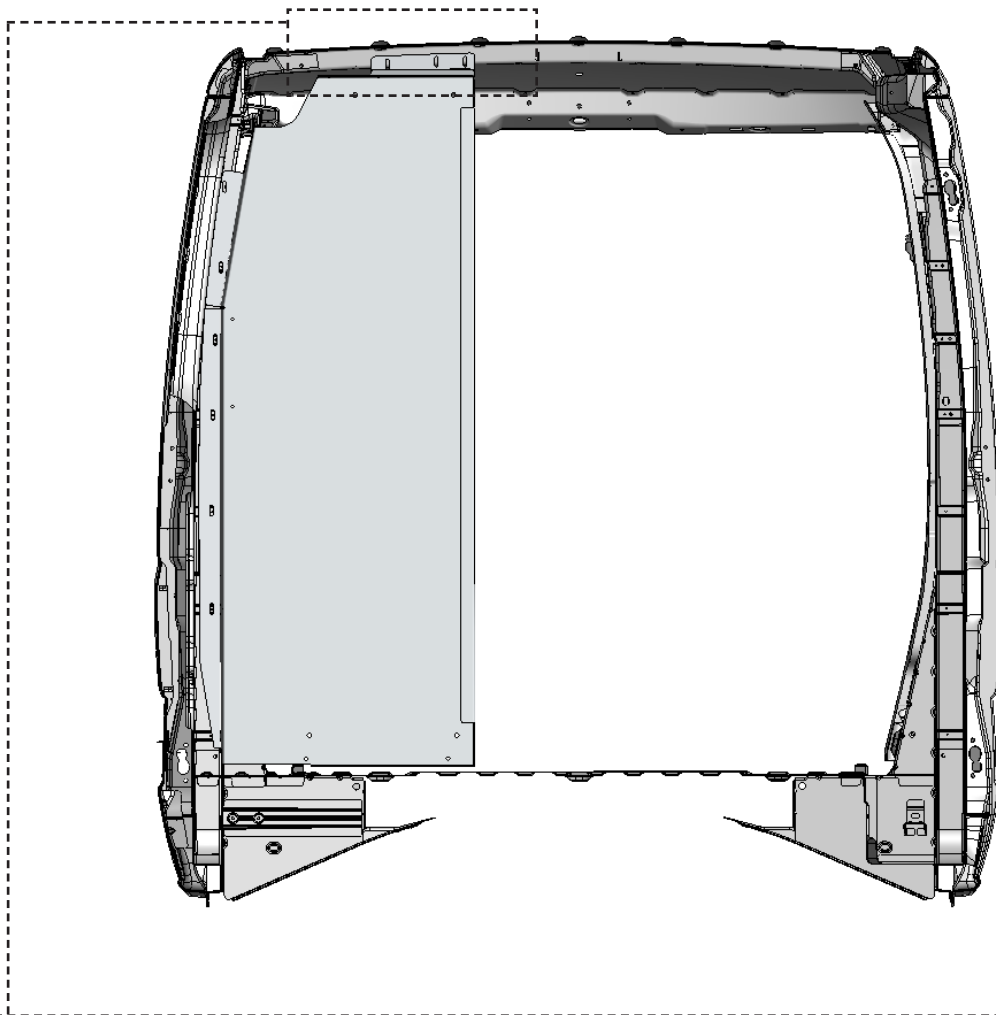
- Cordless Impact
- 7/16" Socket

HARDWARE USED

4x

-  #90-130 Hex Bolt 1/4" x 2"
-  #98-118 Lock Washer
-  #98-112 Flat Washer
-  #98-157 Spacers (3)
-  #94-130 Plusnut .250

2.3.2 Attach the top bracket to the van.



TOOLS

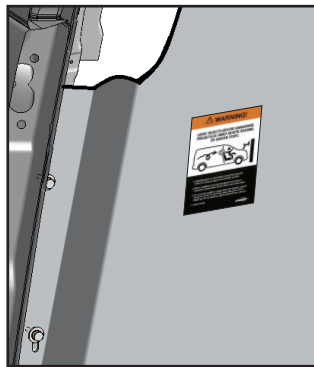
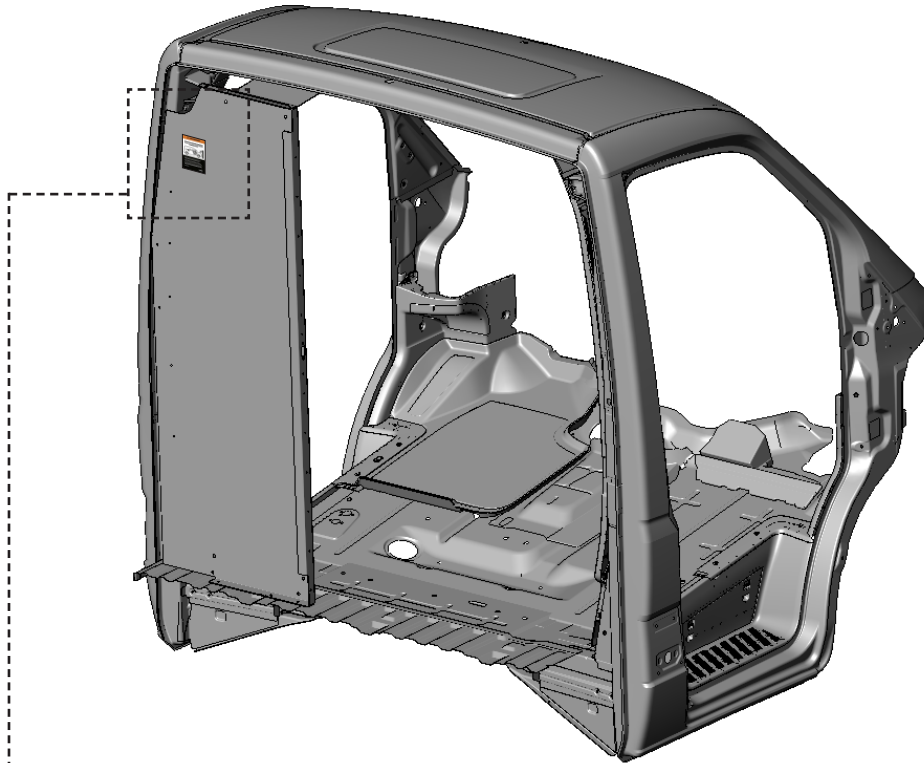
- Cordless Impact
- 7/16" Socket

HARDWARE USED

3x

- | | |
|--|--------------------------------|
|  | #90-118 Hex Bolt 1/4" x 1-1/4" |
|  | #98-118 Lock Washer |
|  | #98-112 Flat Washer |

2.3.3 Apply the warning label on the driver side panel.



NOTE: Put the warning label in a place where it's easy to see.



**“Congratulations, you have successfully installed your
Straight Partition!”**

Thank you for doing business with us.”

