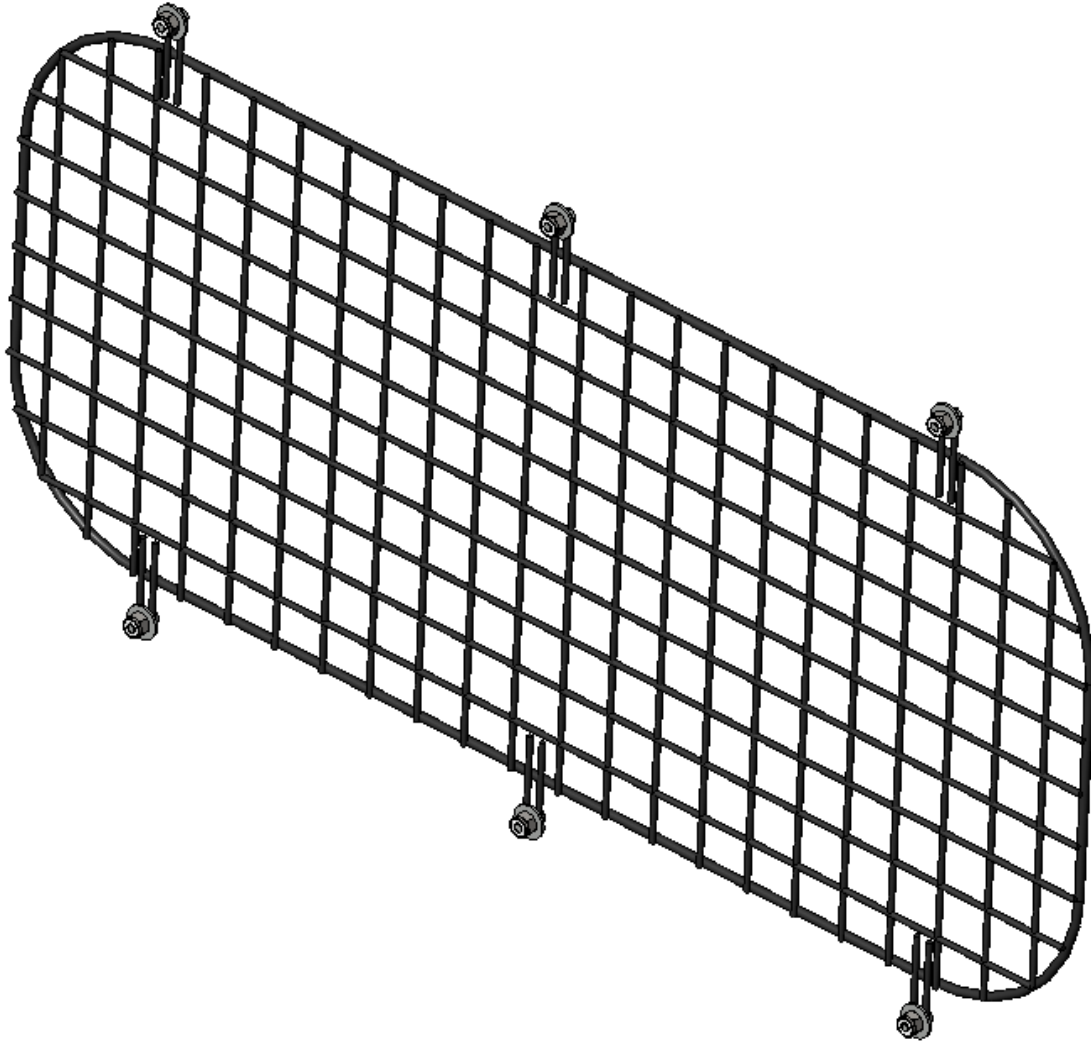


QUICK START GUIDE

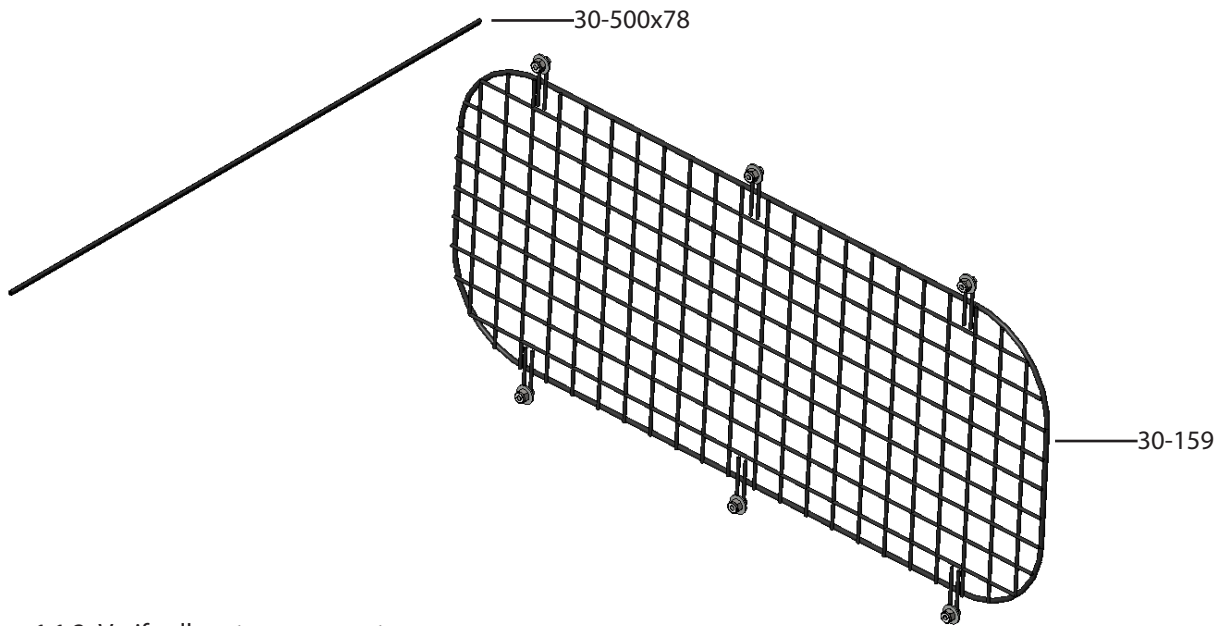


3044 Partition Window Grill

PHASE 1 – ASSEMBLY

1.1 SETUP

1.1.1 Unpack components; compare with the bill of materials.



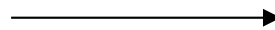
1.1.2 Verify all parts are present.

BILL OF MATERIALS

Item No.	Description	Qty.
30-159	Partition window mesh	1
30-500x78	Edge trim, 78"	1
91-3044	Fastener Kit	1

1.1.3 Fastener kits.


91 - 3044 Fastener Kit



Fastener Install

- 6x  # 90-674 Hex Bolt Srr-flg
#10-32 x 1/2"
ZINC
- 6x  # 98-112 Flat Washer
1/4" O.D. 3/4"
ZINC
- 6x  # 94-136 Lock Nut
#10-32
ZINC

6x



- #90-674 Hex Bolt #10-32 x 1/2"
- #98-112 Flat Washer
- #94-136 Lock Nut