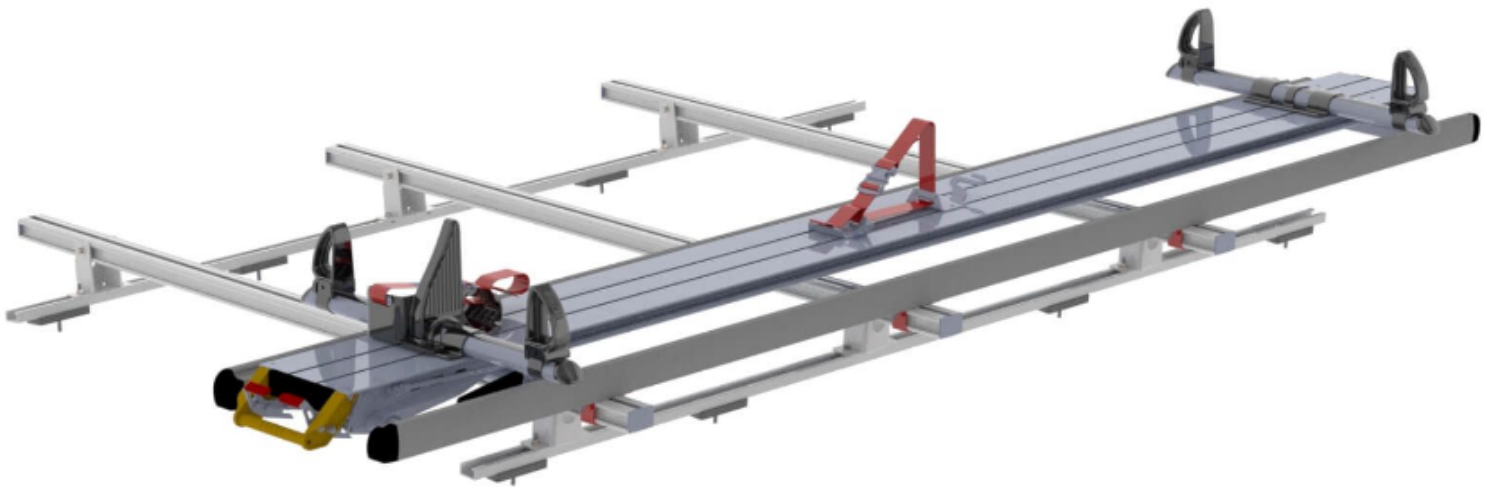


# INSTALLATION GUIDE



## ACCESS STOW


1920-DH,	1930-DH,
1920-FTL,	1930-FTL,
1920-FTR,	1930-FTR,
1920-PHL,	1930-PHL,
1920-PHM,	1930-PHM,
1920-PHS,	1930-PHS,
1920-PHX,	1930-PHX,

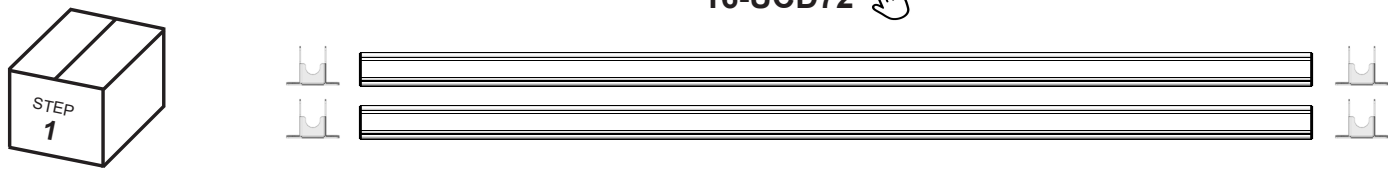
**RANGER**  
DESIGN


# ORDER OF OPERATION

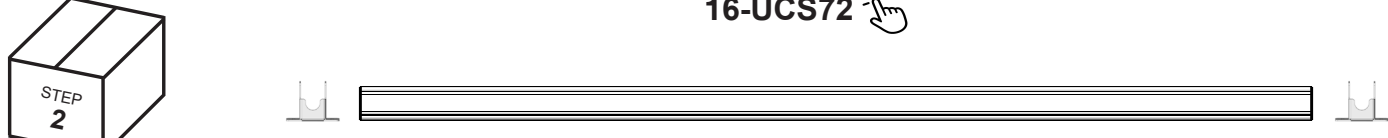
## ACCESS STOW

 **Click on this icon next to each unit to be redirected to the respective Install Guides.**

**STEP 1** **16-UCD72** 




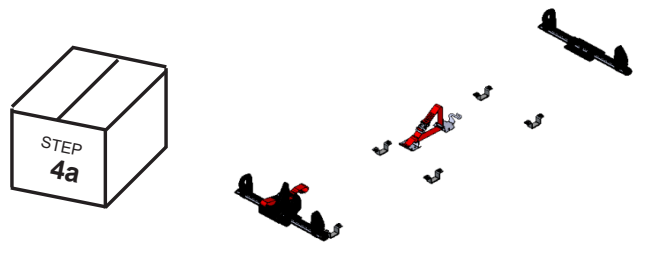
**STEP 2** **16-UCS72** 




**STEP 3** **19-U0003** 




**STEP 4a** **19-U0001** 













*\*Only for 1920 series*

**STEP 4b** **19-U0002** 



*\*Replaces 19-U0001 for 1930 series*



<b>FORD</b>			<b>MERCEDES-BENZ</b>
TRANSIT 130"	18-U0042		SPRINTER 18-U0018 
TRANSIT 148" & Ext.	18-U0030		SPRINTER w/OEM Tracks 18-U0019 
<b>RAM</b>			<b>*Universal Bolt-Through foot Mounts</b> 18-U0047 
PROMASTER 118"	18-U0020		
PROMASTER 136"	18-U0022		
PROMASTER 159"	18-U0032		
PROMASTER 159" Ext.	18-U0034		

*\*For 18-U0047: 1 kit per crossbar required.*