

# INSTALLATION GUIDE



## MAX RACK

1840-FTL,	1850-FTL,	1850-FTL3
1840-FTR,	1850-FTR,	1850-FTR3
1840-GS,	1850-GS,	1850-GS3
1840-MM,	1850-MM,	1850-MM3






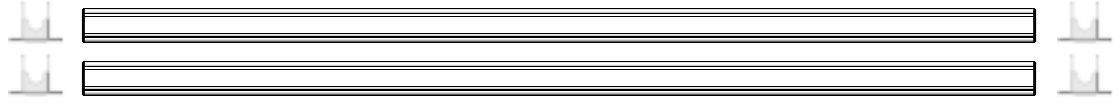
# ORDER OF OPERATION

## LOW ROOF MAX RACK




 **Click on this icon next to each unit to be redirected to the respective Install Guides.**


**STEP 1**

16-UCD72 (Transit)  16-UCDGS (for Savana)  16-UCD66 (for Metris) 




**STEP 2**


16-UCS72 (Transit)  16-UCSGS (for Savana)  16-UCS66 (for Metris) 




\*Optional (for 1850-3 only)


**STEP 3a**

18-U1820 







**STEP 3b**

18-U1825 



\*Optional (for 1850 series or 1850-3 series)

**STEP 4**

<p><b>FORD</b></p> <p>TRANSIT 130"      18-U0042 </p> <p>TRANSIT 148"      18-U0030 </p>	<p><b>MERCEDES-BENZ</b></p> <p>METRIS                      18-U0043 </p> <p><b>*Universal Bolt-Through foot Mounts</b> 18-U0047 </p>
--	--

\*For 18-U0047: 1 kit per crossbar required.