

INSTALLATION GUIDE



MAX RACK

| | | |
|-----------|-----------|-----------|
| 1840-FTL, | 1850-FTL, | 1850-FTL3 |
| 1840-FTR, | 1850-FTR, | 1850-FTR3 |
| 1840-GS, | 1850-GS, | 1850-GS3 |
| 1840-MM, | 1850-MM, | 1850-MM3 |






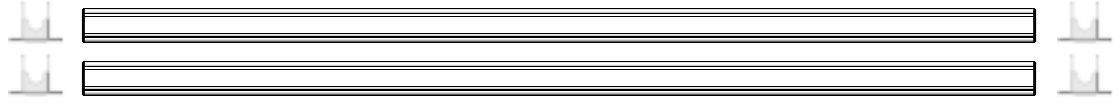
ORDER OF OPERATION

LOW ROOF MAX RACK




 **Click on this icon next to each unit to be redirected to the respective Install Guides.**


STEP 1

16-UCD72 (Transit)  16-UCDGS (for Savana)  16-UCD66 (for Metris) 




STEP 2


16-UCS72 (Transit)  16-UCSGS (for Savana)  16-UCS66 (for Metris) 




*Optional (for 1850-3 only)


STEP 3a

18-U1820 







STEP 3b

18-U1825 



*Optional (for 1850 series or 1850-3 series)

STEP 4

| | |
|--|--|
| <p>FORD</p> <p>TRANSIT 130" 18-U0042 </p> <p>TRANSIT 148" 18-U0030 </p> | <p>MERCEDES-BENZ</p> <p>METRIS 18-U0043 </p> <p>*Universal Bolt-Through foot Mounts 18-U0047 </p> |
|--|--|

*For 18-U0047: 1 kit per crossbar required.