

INSTALLATION GUIDE



MAX RACK

1840-FTL,	1850-FTL,	1850-FTL3
1840-FTR,	1850-FTR,	1850-FTR3
1840-GS,	1850-GS,	1850-GS3
1840-MM,	1850-MM,	1850-MM3






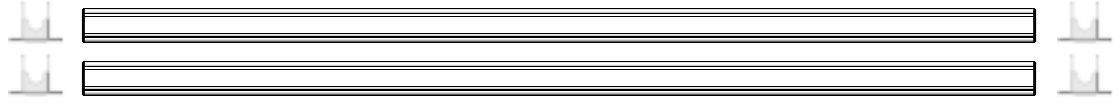
ORDER OF OPERATION

LOW ROOF MAX RACK




 **Click on this icon next to each unit to be redirected to the respective Install Guides.**


STEP 1

16-UCD72 (Transit)  16-UCDGS (for Savana)  16-UCD66 (for Metris) 




STEP 2


16-UCS72 (Transit)  16-UCSGS (for Savana)  16-UCS66 (for Metris) 




*Optional (for 1850-3 only)


STEP 3a

18-U1820 







STEP 3b

18-U1825 



*Optional (for 1850 series or 1850-3 series)

STEP 4

<p>FORD</p> <p>TRANSIT 130" 18-U0042 </p> <p>TRANSIT 148" 18-U0030 </p>	<p>MERCEDES-BENZ</p> <p>METRIS 18-U0043 </p> <p>*Universal Bolt-Through foot Mounts 18-U0047 </p>
----------------------------------------------------------------------------------------------------------------------------------------------------------------------------------------------------------------------------------------------------------------	----------------------------------------------------------------------------------------------------------------------------------------------------------------------------------------------------------------------------------------------------------------------------------------------------------------

*For 18-U0047: 1 kit per crossbar required.