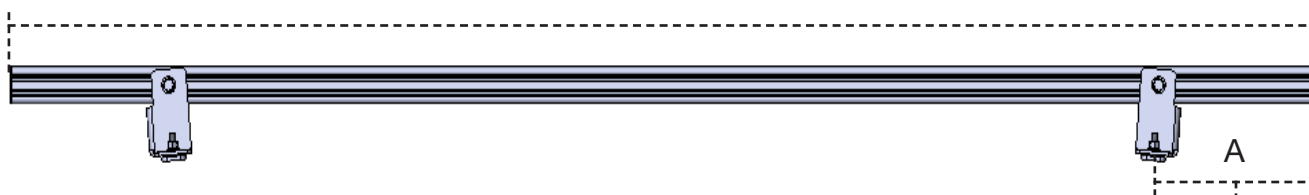


INSTALLATION GUIDE



72"



FOOT PLACEMENT GUIDE

VEHICLE	DIMENSION (A)
NISSAN NV	7"
SPRINTER	10" HR, 6 - 1/2" LF
TRANSIT	8 - 7/8"
PROMASTER	7 - 1/16"

18-U1806 Crossbar

2 BARS (72")



QUICK START GUIDE

Phase 1 - Assembly

- ☐ 1.1.1 SETUP (VERIFY ALL PARTS ARE PRESENT)..... 2
- ☐ 1.2.1 ASSEMBLY (PUT THE CROSSBAR IN THE TABLE)..... 2
- ☐ 1.2.2 ASSEMBLY (ATTACH THE FEET TO THE CROSSBARS)..... 3

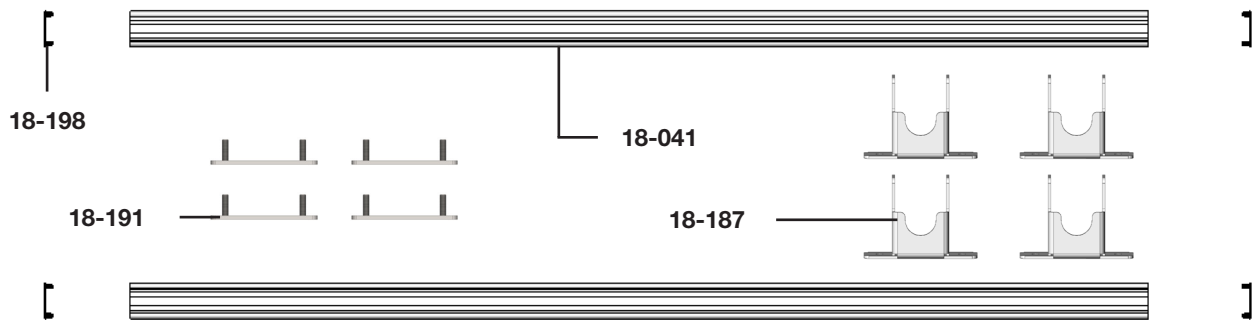
Phase 2 - Install

- ☐ 2.1.1 Crossbar Installation..... 4

PHASE 1 – ASSEMBLY

1.1 SETUP

1.1.1 Verify all parts are present.



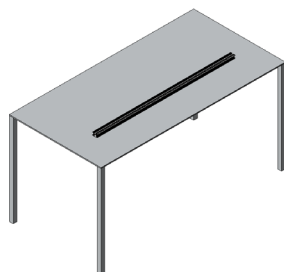
BILL OF MATERIALS

Item No.	Description	Qty.
18-187	Foot	4
18-041	Max Rack Crossbar	2
18-198	End Plastic Plug	4
18-191	Stud Plate	4
94-1806	Fastener kit	1

PHASE 1 – ASSEMBLY

1.2 PREPARATION

1.2.1 Remove one crossbar from the box and put the crossbar on the table.

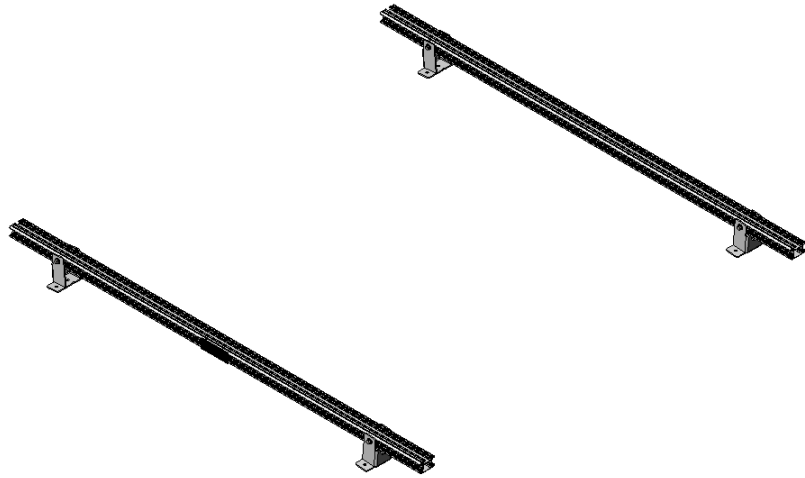


NOTE:

FOR MAX RACK OPEN THE NEXT BOX AND FOLLOW THE INSTALL GUIDE INSIDE THE BOX ON HOW TO ASSEMBLE YOUR RACK.

FOR ACCESS STOW

1.2.2 Attach the feet to the crossbars.



FOOT PLACEMENT GUIDE

VEHICLE	DIMENSION (A)
NISSAN NV	7"
SPRINTER	10" HR, 6 - 1/2" LF
TRANSIT	8 - 7/8"
PROMASTER	7 - 1/16"

TOOLS

- Cordless Impact
- 1/2" Socket

FASTENERS USED

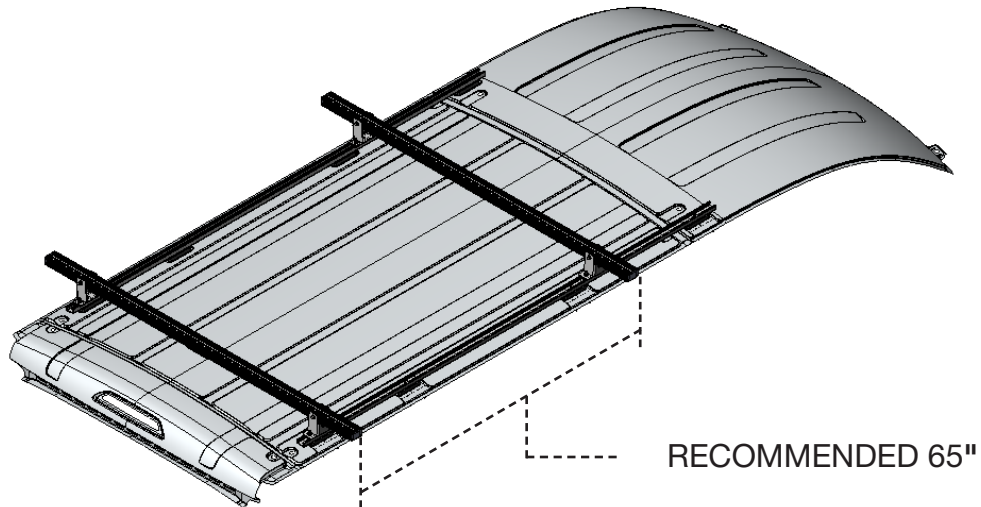
8x (17 ft • lbs)

- #90-203 Hex Bolt 5/8"
- #98-123 Lock Washer 5/16"
- #98-117 Flat Washer 5/16"
- #94-250 Channel Nut 5/16"

PHASE 1 – INSTALL

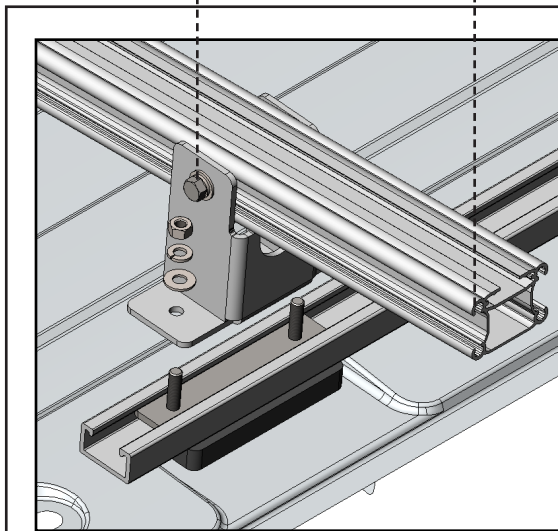
2.1 CROSSBAR INSTALLATION

2.1.1 Install the crossbars to the mounting track (to install the mounting track please follow the install guide of the mounting track).



FOOT PLACEMENT GUIDE

VEHICLE	DIMENSION (A)
NISSAN NV	7"
SPRINTER	10" ^{HR} , 6 - 1/2" ^{LF}
TRANSIT	8 - 7/8"
PROMASTER	7 - 1/16"






TOOLS

- Ratchet
- 1/2" Socket

FASTENERS USED

4x ONE CROSSBAR (17 ft • lbs)

- | | |
|-------------------------------------------------------------------------------------|---------------------|
|  | #94-105 Hex Nut |
|  | #98-123 Lock Washer |
|  | #98-117 Flat Washer |