

INSTALLATION GUIDE



18-U0042 MOUNTING TRACKS

Ford Transit (Regular Wheelbase, Standard & Medium Roof)



Scan the QR for the latest Install-Guide.





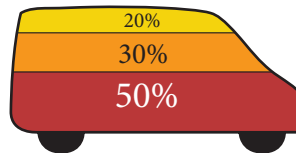
BEFORE YOU BEGIN

READ, UNDERSTAND, AND FOLLOW ALL WARNINGS AND INSTRUCTIONS BEFORE USING THIS PRODUCT. FAILURE TO FOLLOW THESE DIRECTIONS MAY RESULT IN PROPERTY DAMAGE, SERIOUS BODILY INJURY, AND/OR DEATH. RANGER DESIGN IS NOT RESPONSIBLE FOR ANY PROPERTY DAMAGE, PERSONAL INJURY, OR DEATH THAT OCCURRED WHILE USING ANY RANGER DESIGN PRODUCTS.



WARNING

- Failure to use Ranger Design-provided fasteners, brackets, and proper installation guidelines could increase risk of serious personal injury and/or death.
- If drilling is required to complete this installation: improper drilling can cause property damage to vehicles and could lead to electric shock, fire, or even death.
- If drilling is required to complete this installation: Ensure that drilling is only performed on areas of the vehicle allowed by the vehicle's Original Equipment Manufacturer's Body Builders Layout Book (or equivalent document).
- Prior to installation, inspect the vehicle to ensure that installation will not interfere with, or cause obstruction of, any critical components such as electrical wiring, fuel tanks, fuel-cells, locks, latches, etc.
- The installer or manufacturer is responsible for ensuring anchorages are installed onto suitable wall and floor structures; wall and floor strength must meet applicable performance requirements.
- Do not install systems into any weak or unsound materials such as plastics, woods, thin-walled metals, etc. without proper reinforcement.
- Do not install this product where it could interfere with the deployment of airbags. Failure to comply could result in death or serious injury.
- Incorrect installation could cause water leaks, electric shock or fire.
- Any cargo vehicle with any cargo or equipment should use a certified partition. See Ranger Design website for some partition options. (<https://rangerdesign.com/>)
- Mountings rails are recommended for any attachment to the vehicle walls.
- All items in the cargo area should be properly secured and partition doors closed while the vehicle is in motion.
- Check your vehicle's tare weight and remaining load capacity with all the equipment installed. Never exceed the maximum Gross Vehicle Weight Rating (GVWR), Gross Axle Weight Ratings (GAWRs), or other maximum loads permitted by the vehicle's Original Equipment Manufacturer (OEM) and required by law.
- The heaviest items must be placed towards the bottom of the vehicle, while the lightest ones can be arranged upwards. Vehicle cargo loading weight proportion should follow the following guidelines:



- The final alterer and/ or modifier should review the warning sheet with the customer before the vehicle is released to the customer or for general use. These instructions should remain with the vehicles a all times.
- Any modification or unintended use of this product voids any warranty and could create a hazardous condition.
- Ranger Design provides recommended assembly and installation instructions which should be followed to ensure correct operation. Failure to do so could result in invalidating the product's compliance, warranty and cause injury. Notwithstanding, the final stage vehicle alterer and/or modifier is responsible for the integration, installation, and compliance of the product in its final location to all applicable regulations and standards. Failure to maintain compliance of the vehicle to applicable regulations and standards could be punishable by law. Alterers and/or modifiers should consult with all local authorities prior to commissioning.



CAUTION

- If drilling is required to complete this installation. Before drilling, ensure that you will not hit any critical parts of the vehicle like the gas tank, wiring harness, or hose. Consult the vehicle OEM documentation as necessary. When drilling, use a drill collar to reduce the risk of damage to the vehicle.
- Any materials, padding, or glazing installed in the vehicle must comply with FMVSS/CMVSS 201/205/302, as applicable.
- In the event of a motor vehicle accident or collision where a Ranger Design system has been installed, especially ones where the vehicle structure is damaged and/or the air bags deploy and/or the vehicle has been towed, the system must be inspected to ensure continued soundness and safety before returning the vehicle to service. Damaged components should be replaced as necessary.
- All system components should be regularly inspected, cleaned, and maintained pursuant to Ranger guidelines.

QUICK START GUIDE

PHASE 1 - ASSEMBLY

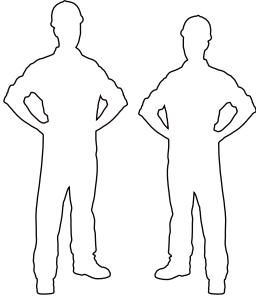
- 1.1.1 SETUP (VERIFY ALL PARTS ARE PRESENT)..... 4

PHASE 2 - INSTALLATION

- 2.1.1 INSTALLATION (INSTALL THE MOUNTING TRACK WITH PADS ON THE ROOF)..... 5

REQUIRED ITEMS

- Cordless Impact
- Tape Measure
- Ladder
- 1/2" Socket

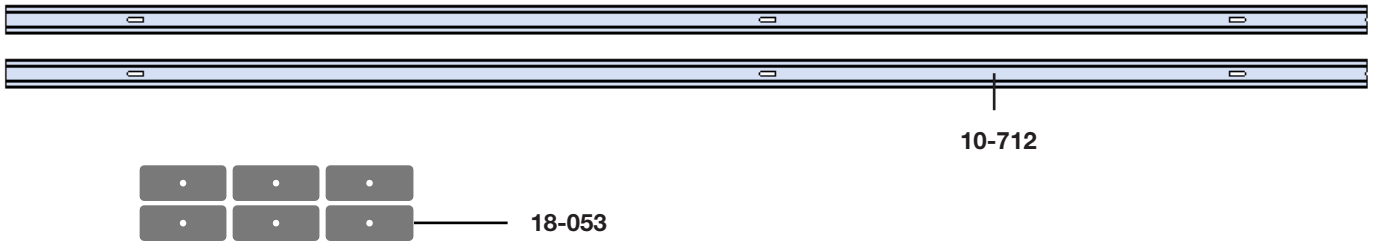


**2
PERSONS**

PHASE 1 – ASSEMBLY

1.1 SETUP

1.1.1 Verify all parts are present.

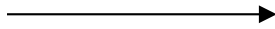


VERIFY ALL PARTS ARE PRESENT

Item No.	Description	Qty.
10-712	Mounting Track 84" Long	2
18-053	Spacer	6
96-0042	Fastener Kit	1

1.1.3 Identify the **Assembly** and **Installation** fastener bags.

96-0042



Fastener Assembly

6x



90-004

Bolt hx-hd full-thrd
M8-1.25 x 50MM
SS304

6x



98-117

Flat Washer
5/16" OD, 3/4"
SS18-8

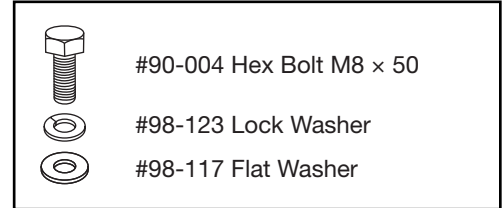
6x



98-123

Lock Washer
5/16"
SS304

6x



#90-004 Hex Bolt M8 x 50

#98-123 Lock Washer

#98-117 Flat Washer

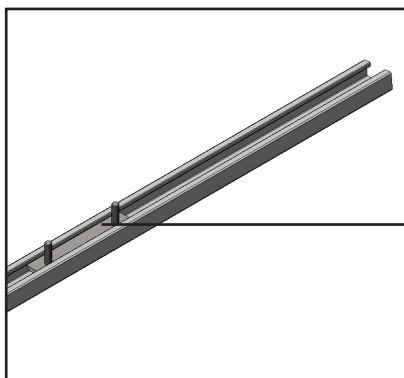
PHASE 2 – INSTALLATION

2.1 MOUNTING TRACKS INSTALLATION

2.1.1 Slide the stud plate on both ends of the mounting track.

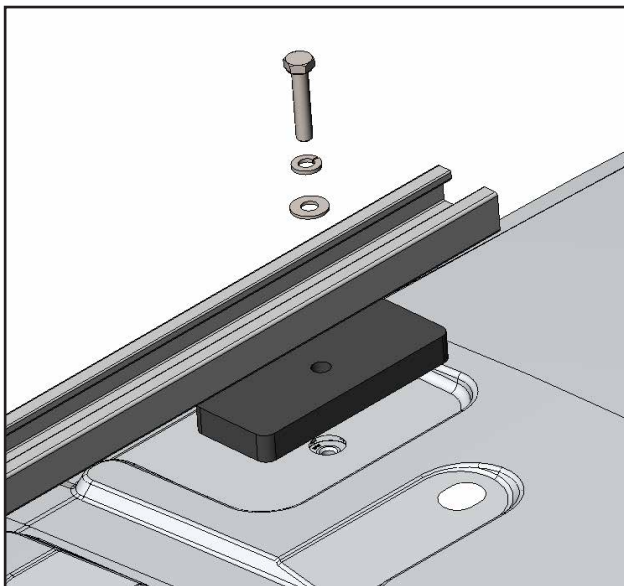
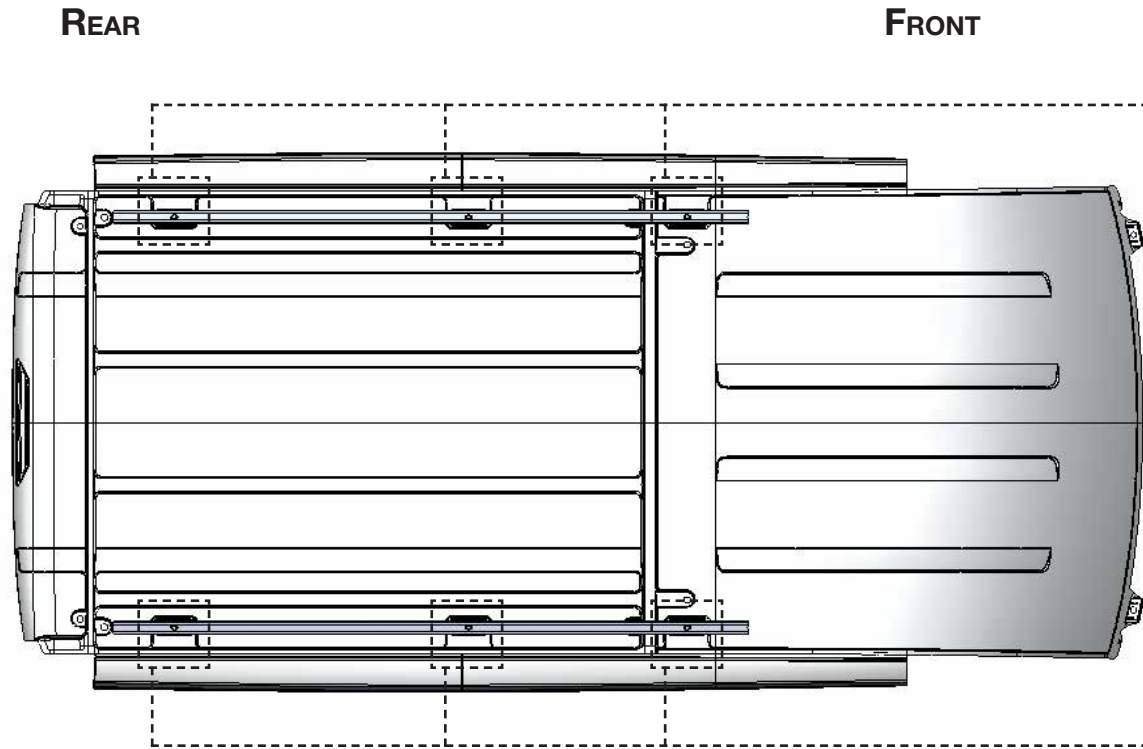
REAR

FRONT



18-191
FROM CROSSBAR BOX

- 2.1.2**
- Remove existing plugs on the vehicle roof holes.
 - Use a tap (M8 - 1.25) to remove the excess dirt/paint in the holes of the van.
 - Apply a bead of silicone around the holes and bolts, then fasten the tracks to the roof.

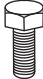




TOOLS

- Cordless Impact
- 13mm Socket

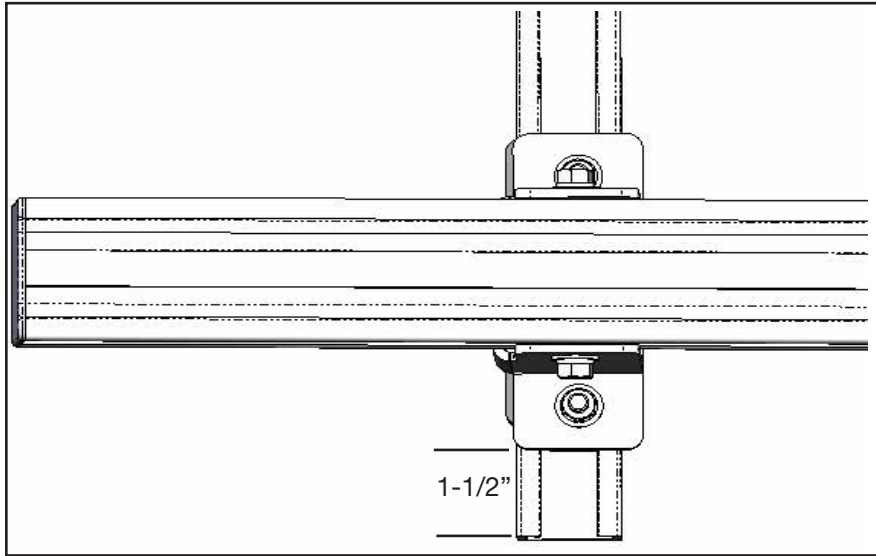
FASTENERS USED

6x (12 ft •lb)

	#90-004 Hex Bolt M8 x 50
	#98-123 Lock Washer
	#98-117 Flat Washer

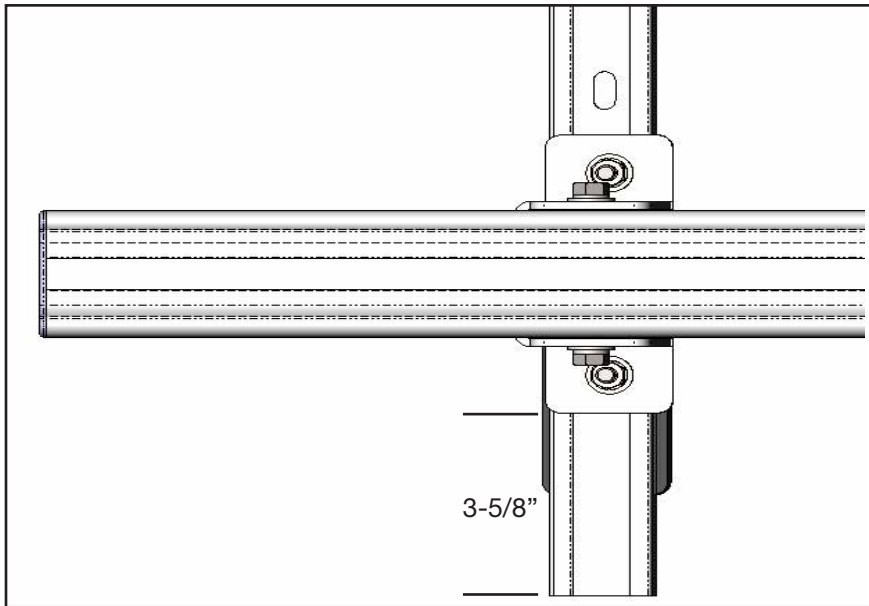
2.2 Installing Crossbars

2.2.1 Installing a Max Rack.



Rear of van

2.2.2 Installing a Low Roof Max Rack.



Rear of van

2.2.3 Installing a Cargo Rack, Clamp Rack, Access Stow.

Place crossbars as needed.



**“Congratulations, you have successfully installed your
Mounting Tracks
Thank you for doing business with us.”**

For any feedback or suggestions you might have, please contact: cs@rangerdesign.com

