

INSTALLATION GUIDE



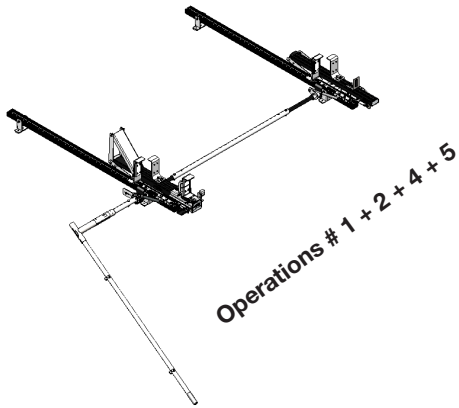
18-U0020 MOUNTING TRACKS

Ram ProMaster (118" Wheelbase, Standard & High Roof)

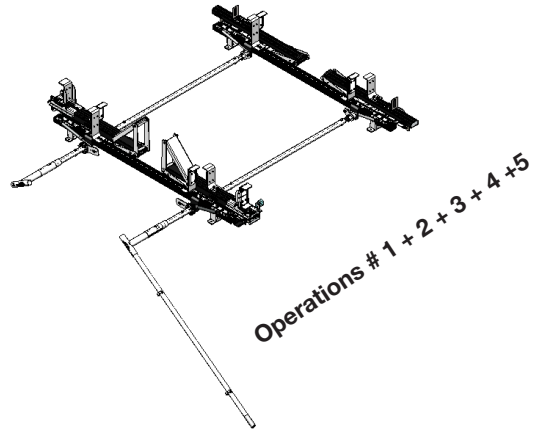


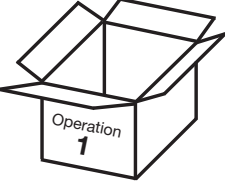
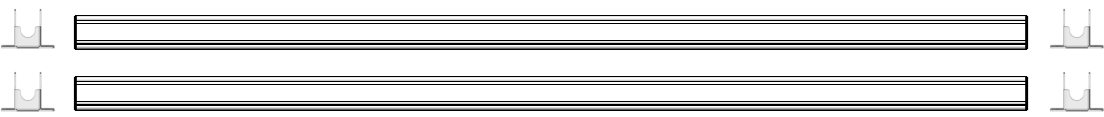
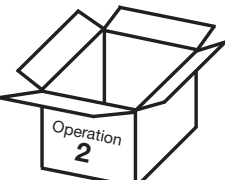
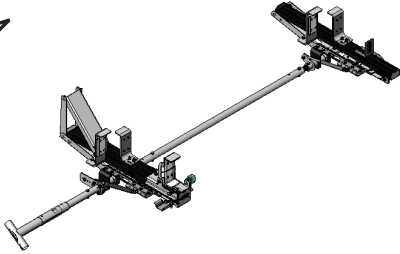
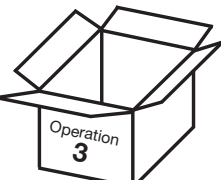
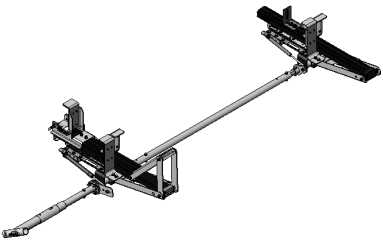
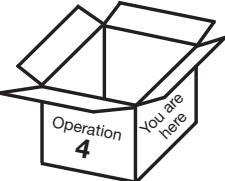
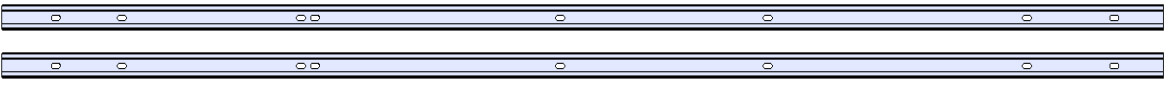
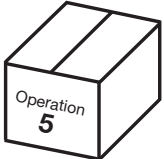

ORDER OF OPERATION

MAX RACK SINGLE SIDE



MAX RACK DOUBLE SIDE



| | | |
|--|---|--|
|  <p>Operation 1</p> | <h3>18-U1806</h3>  | |
|  <p>Operation 2</p>  | <h3>18-U1815</h3>  <p>Operation 3</p>  <p>OPTIONAL: Applicable only for Max Rack Double Side.</p> | |
|  <p>Operation 4 You are here</p> | <h3>MOUNTING TRACK</h3>  | |
|  <p>Operation 5</p> | <h3>18-U1807</h3>  | |

QUICK START GUIDE

Phase 1 - Assembly

- 1.1 Setup..... 4 - 5

Phase 2 - Installation

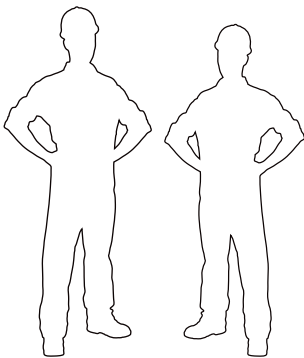
- 2.1 Mounting Tracks installation..... 5 - 6
- 2.2 Max Rack installation..... 7 - 10

Phase 3 - Adjustment

- 3.1 Adjustment for Max Rack..... 11 - 12

REQUIRED ITEMS FOR COMPLETE MAX RACK

NOTE: Use Sawhorses if possible, or use the box as a flat protective surface on the ground or table.



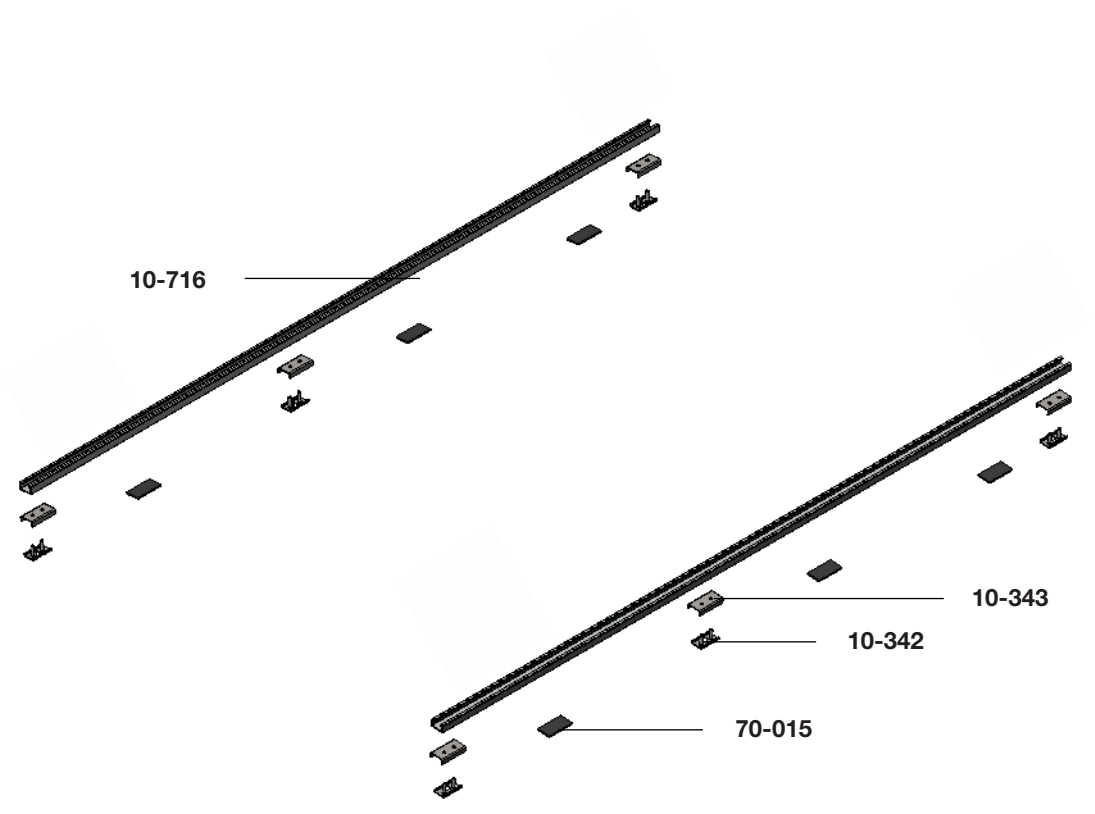
**2
PERSONS**

- Cordless Impact
- Ratchet
- Tape Measure
- Marker
- Ladder
- 1/2" Wrench
- 1/2" Socket
- Sawhorse (Optional)
- Box

PHASE 1 – ASSEMBLY

1.1 SETUP

1.1.1 Unpack components; compare with the bill of materials.

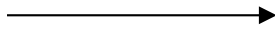


1.1.2 Verify all parts are present.

| Item No. | Description | Qty. |
|----------|---------------------------|------|
| 10-716 | Mounting Track 88.5" Long | 2 |
| 10-342 | Roof Clamp | 6 |
| 10-343 | Top Roof Clamp | 6 |
| 70-015 | Foam Sheet | 6 |
| 96-0020 | Fastener Kit | 1 |

1.1.3 Identify the **Assembly** and **Installation** fastener bags.




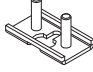
96-0022



Fastener Assembly

- 12x  # 94-105 Hex Nut
5/16"-18
SS316wax
- 12x  # 98-117 Flat Washer
5/16" OD, 3/4"
SS18-8
- 12x  # 98-123 Lock Washer
5/16"
SS304

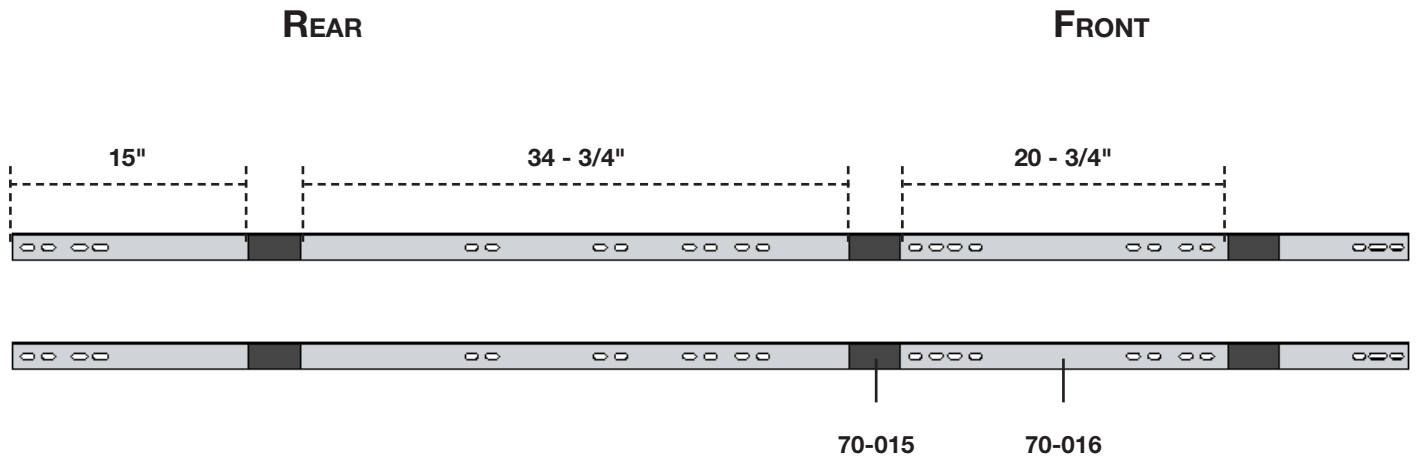
12x

| | |
|---|---------------------|
|  | #94-105 Hex Nut |
|  | #98-123 Lock Washer |
|  | #98-117 Flat Washer |
|  | Roof Clamp (6) |

PHASE 2 – INSTALLATION

2.1 MOUNTING TRACKS INSTALLATION

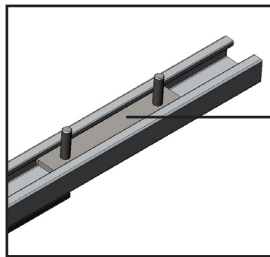
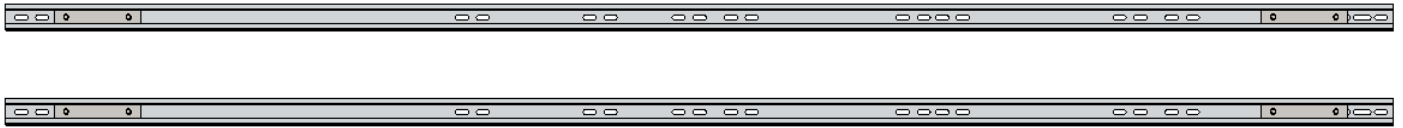
2.1.1 Attach the foam sheet under the mounting track.



2.1.2 Slide the stud plate on both ends of the mounting track.

REAR

FRONT



18-191
FROM CROSSBAR BOX

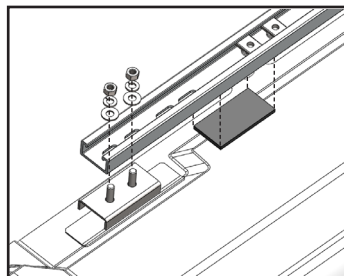
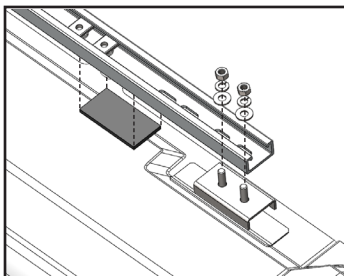
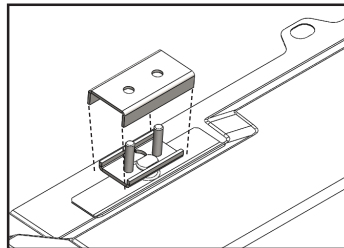
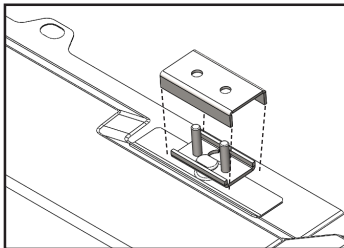
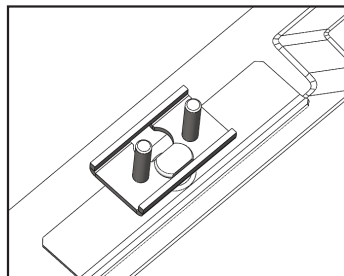
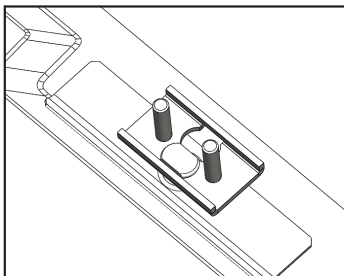
2.1.3 Install the mounting tracks onto the roof of the van.

NOTE: Notice the orientations of the roof clamps, top roof clamps and the mounting tracks.
The top roof clamp should lay flat on the roof clamp and not slant.

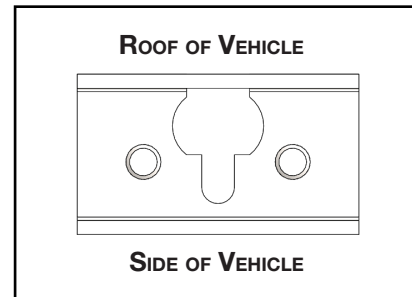
REAR VIEW

DRIVER SIDE

PASSENGER SIDE



ROOF CLAMP ORIENTATION




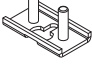


TOOLS

- Cordless Impact
- 1/2" Socket

FASTENERS USED

12x

-  #94-105 Hex Nut
-  #98-123 Lock Washer
-  #98-117 Flat Washer
-  Roof Clamp (6)

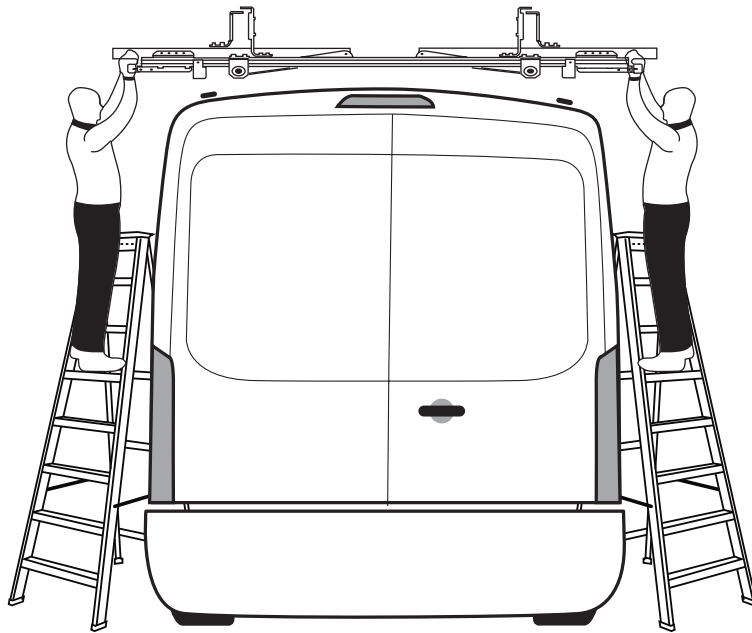
PHASE 2 – INSTALLATION

2.2 MAX RACK INSTALLATION

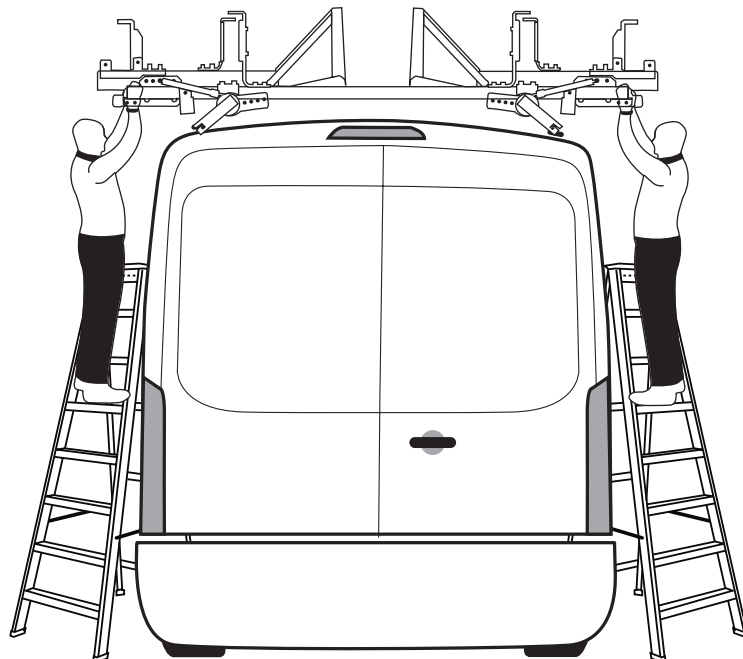
2.2.1 Position the Max Rack (**minimum two persons**) on the vehicle so that the feet are on the tracks.

NOTE: If you do not have an overhead lift, lift the front crossbar onto the roof first then the rear crossbar.

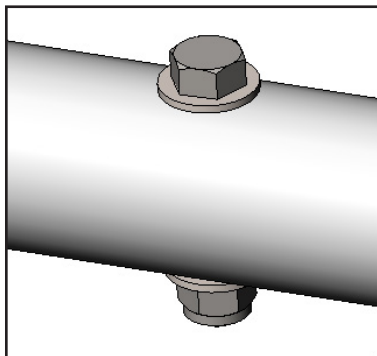
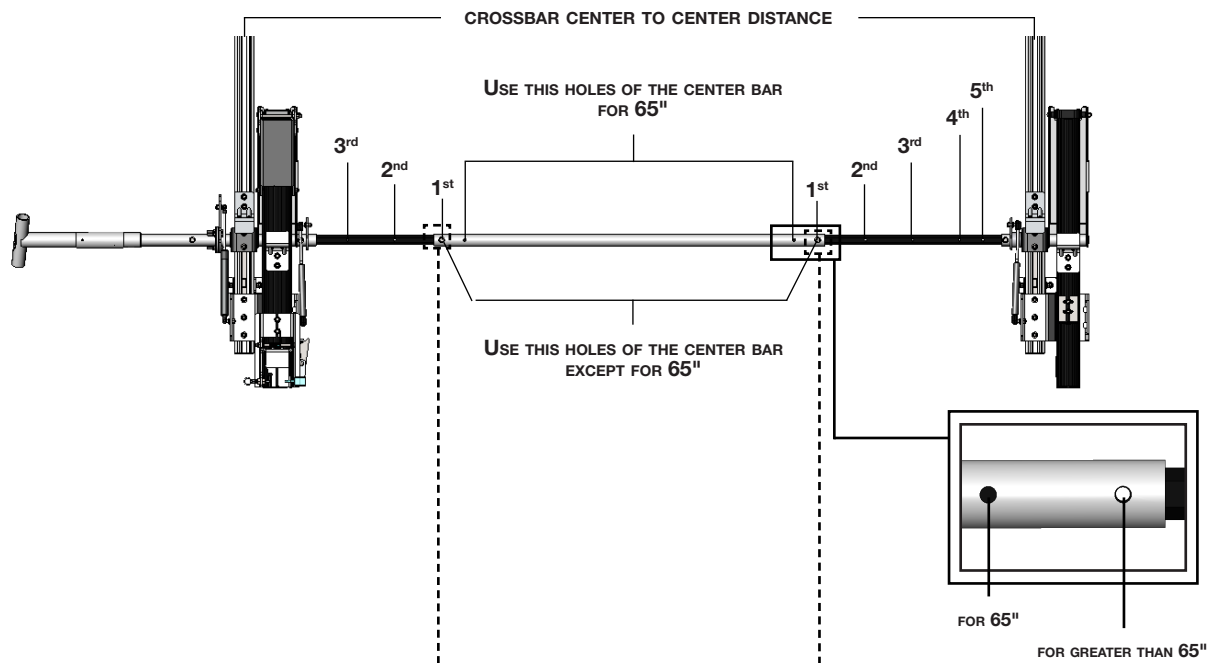
FRONT CROSSBOW



REAR CROSSBOW



2.2.2 Attach the ends of the front and rear bars to the center tube.



FASTENERS USED
2x (17 ft • lbs)

-  #90-225 Hex Bolt 2"
-  #98-117 Flat Washer 5/16"
-  #98-117 Flat Washer 5/16"
-  #94-111 Lock Nut 5/16"

TOOLS

- Cordless Impact
- 1/2" Socket
- 1/2" Wrench

RECOMMENDED SET-UP

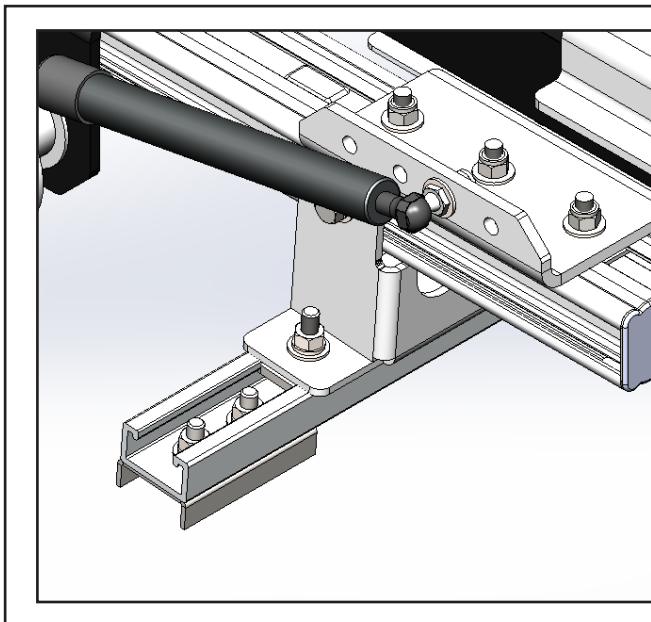
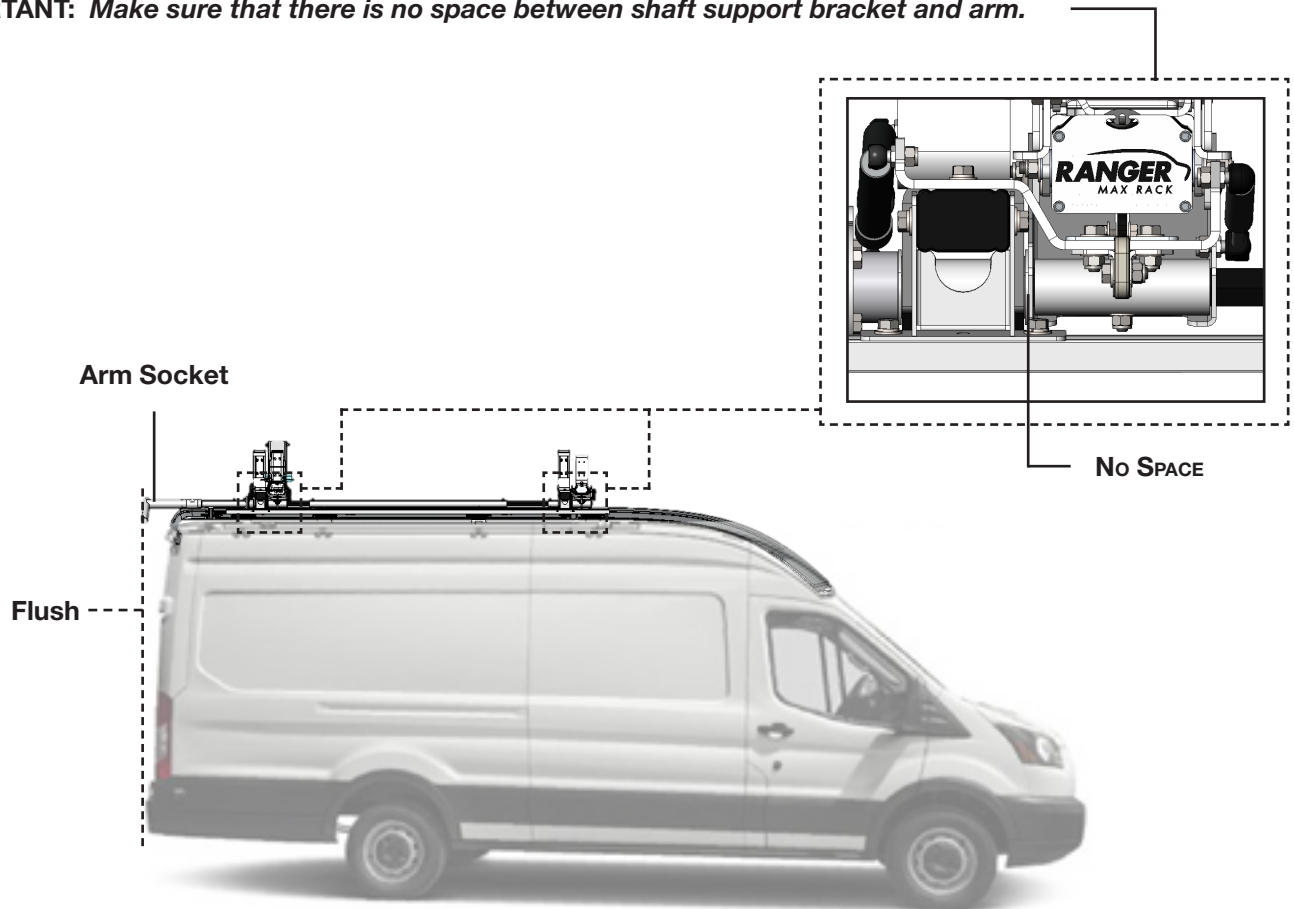
| VEHICLE | CROSSBAR CENTER TO CENTER DISTANCE | LADDER SIZE |
|---------------|---|---|
| RAM PROMASTER | 65" (3 RD & 3 RD HOLES) | UP TO EXTENSION 24' & STEP 8' TO 10' ONLY |

- 2.2.3**
- Align the arm socket to the rear bumper of the vehicle.
 - Attach all the feet w/ shim to the mounting tracks.

NOTE: These conditions must be respected:

- The arm socket and the ladder cannot extend beyond the rear bumper of the vehicle.
- The center of the ladder must be behind the front hook when the ladder is loaded.

IMPORTANT: *Make sure that there is no space between shaft support bracket and arm.*






TOOLS

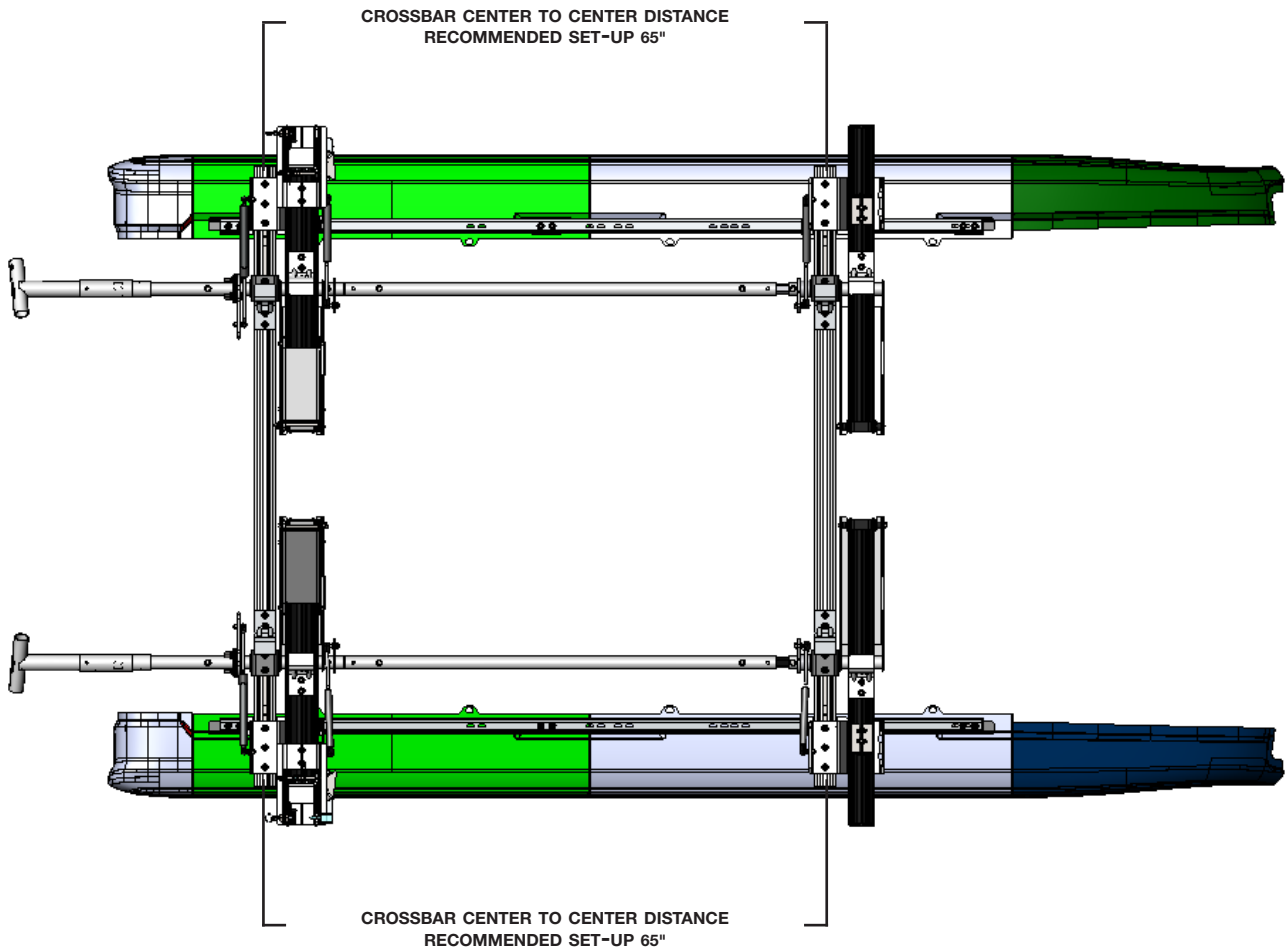
- Ratchet
- 1/2" Socket

FASTENERS USED

8x CROSSBAR FASTENER

-  #94-105 Hex Nut
-  #98-123 Lock Washer
-  #98-117 Flat Washer

2.2.4 Before tightening the feet to the mounting track make sure that the 2 crossbar is parallel.



RECOMMENDED SET-UP

| VEHICLE | CROSSBAR CENTER TO CENTER DISTANCE | LADDER SIZE |
|---------------|---|---|
| RAM PROMASTER | 65" (3 RD & 3 RD HOLES) | UP TO EXTENSION 24' & STEP 8' TO 10' ONLY |

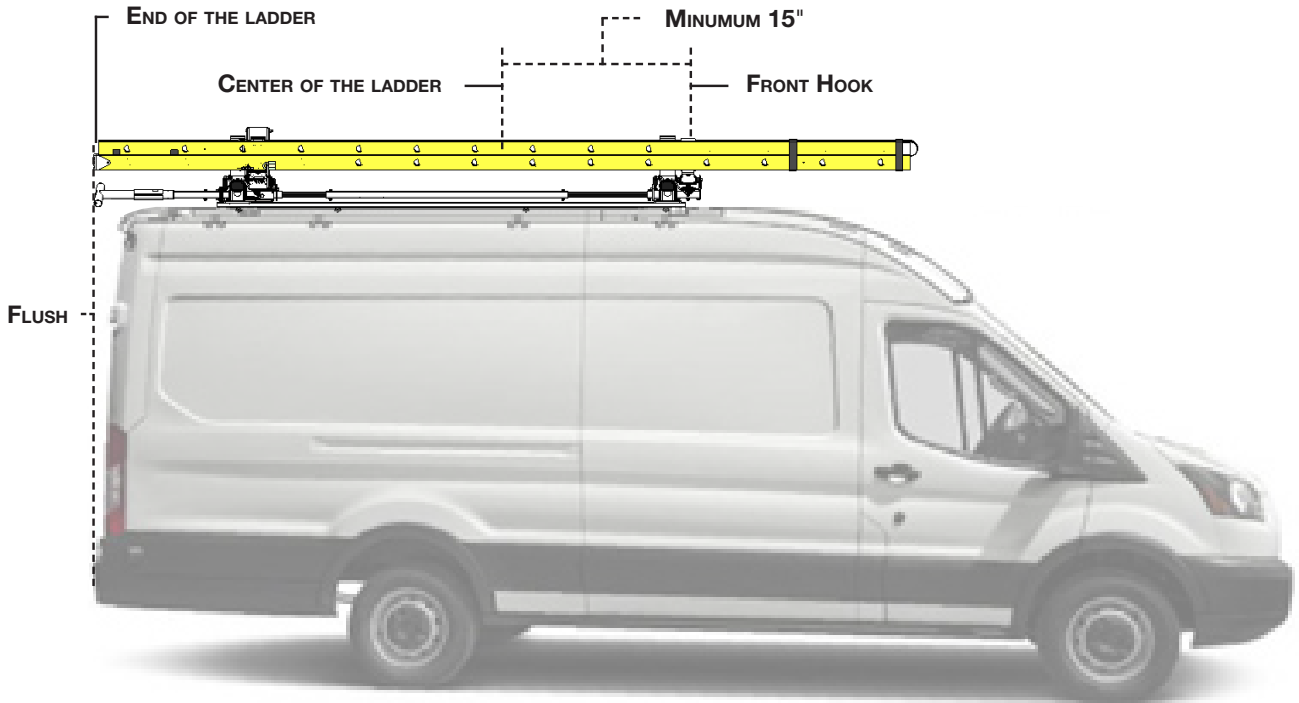
PHASE 3 – ADJUSTMENT

3.1 ADJUSTMENT FOR MAX RACK

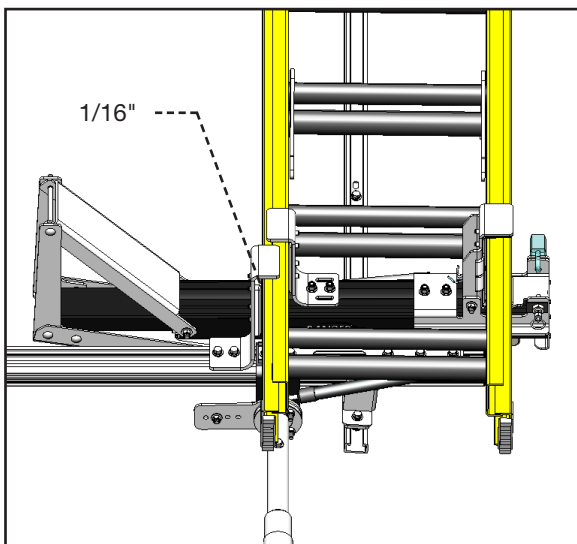
- 3.1.1 • Place the Max Rack in the down position.
- Load the ladder onto the Max Rack.

NOTE: These conditions must be respected:

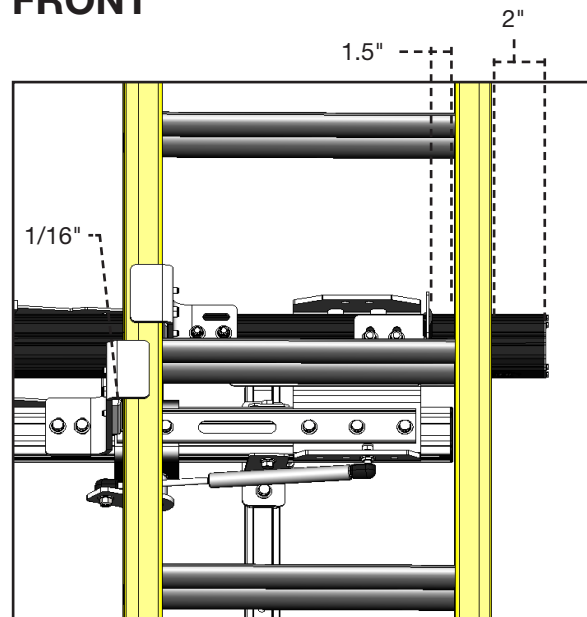
- The arm socket and the ladder cannot extend beyond the rear bumper of the vehicle.
- The center of the ladder must be behind the front hook when the ladder is loaded.



REAR



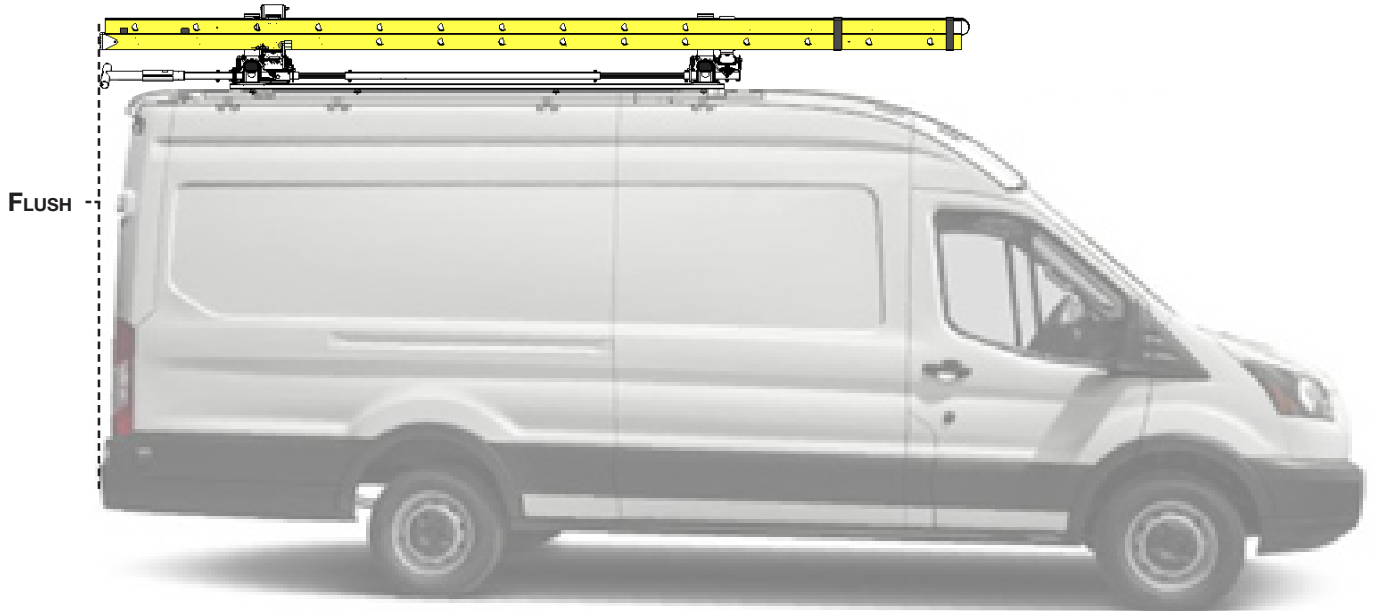
FRONT



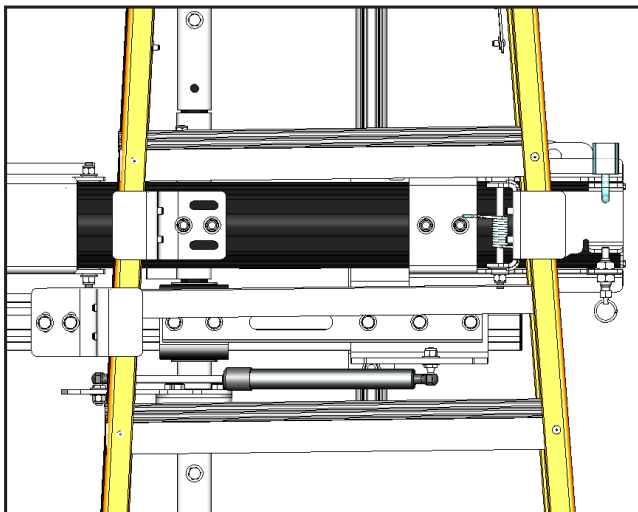
STEP LADDER INSTALLATION

NOTE: These conditions must be respected:

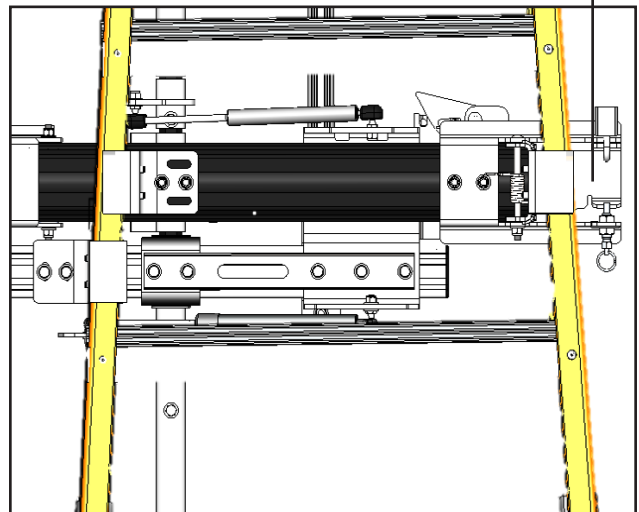
- The arm socket and the ladder cannot extend beyond the rear bumper of the vehicle.
- The center of the ladder must be behind the front hook when the ladder is loaded.



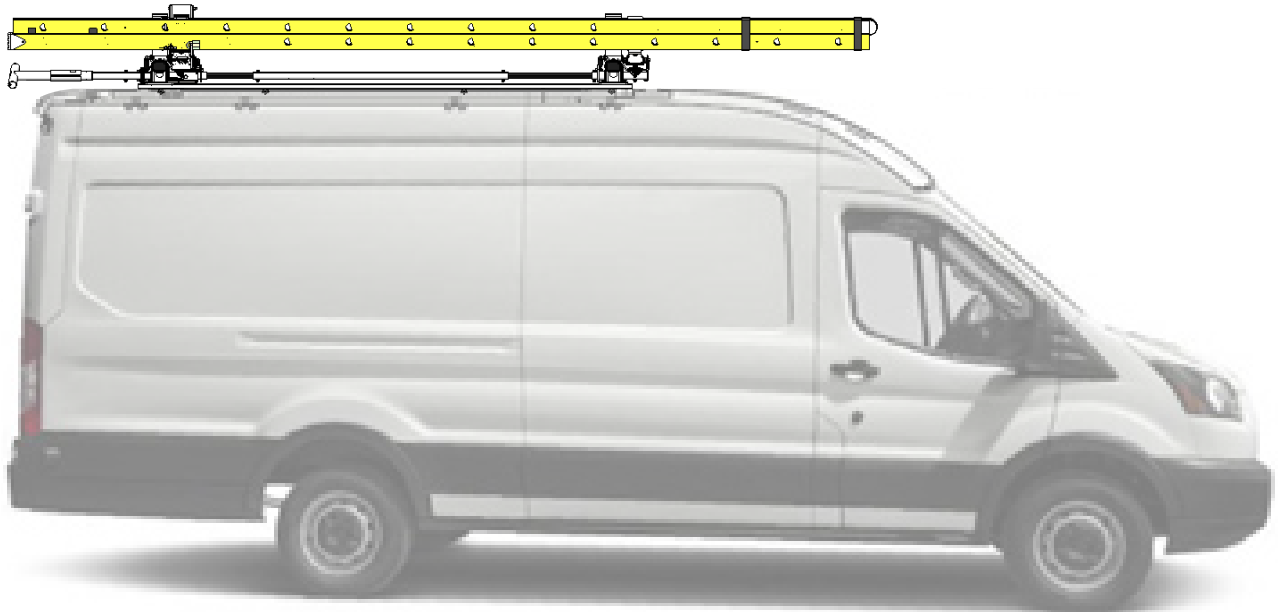
8' STEP LADDER



10' STEP LADDER



- NOTE:**
- Ensure that everything is safely assembled and fastened.
 - With the ladder locked, operate your Max Rack a few times, while carefully observing the moving parts.



“Congratulations, you have successfully installed your Mounting Tracks and your completed Rack on your vehicle!

Thank you for doing business with us.”

For any feedback or suggestions you might have, please contact: cs@rangerdesign.com

