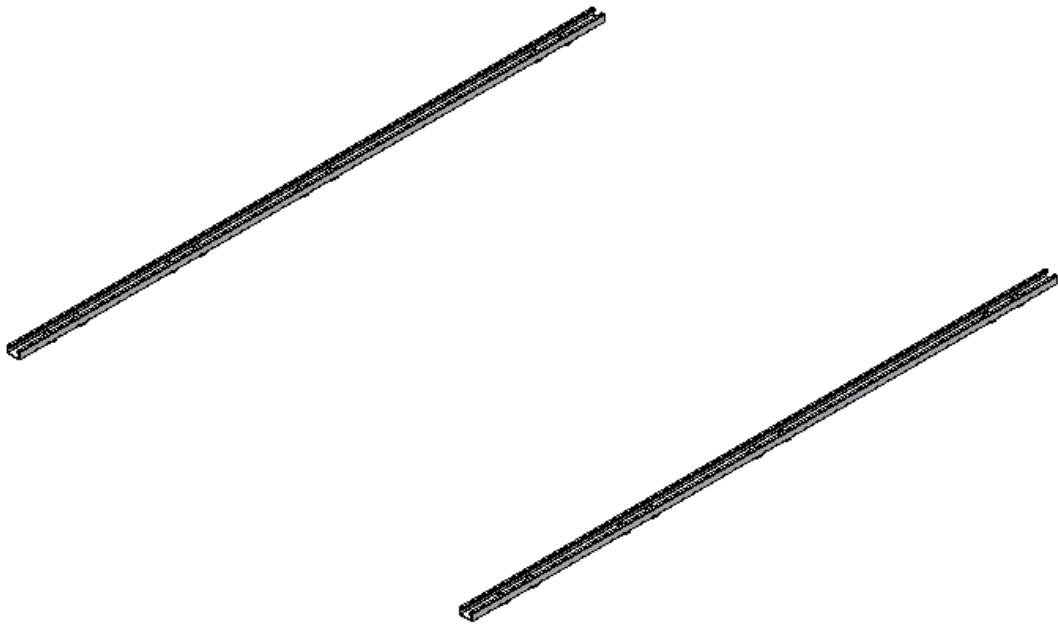


INSTALLATION GUIDE



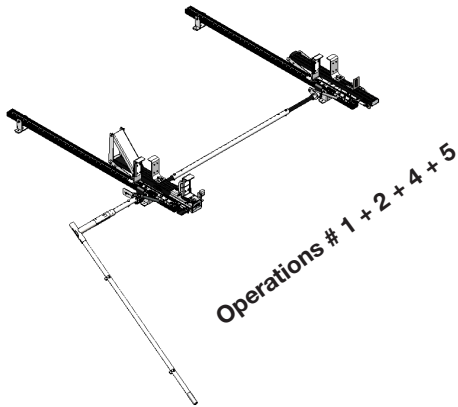
18-U0010 MOUNTING TRACKS

Nissan NV (Standard Roof & High Roof)

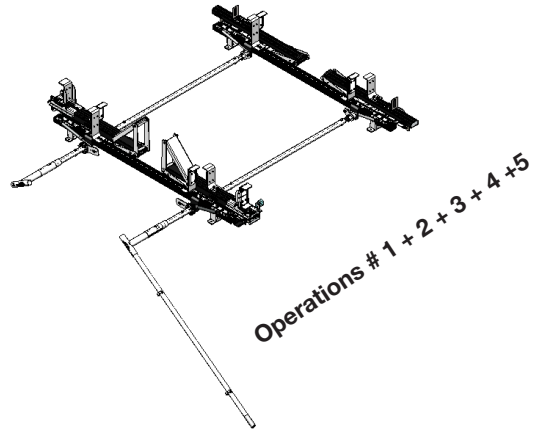


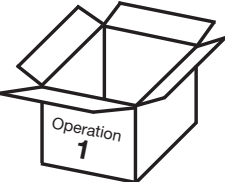
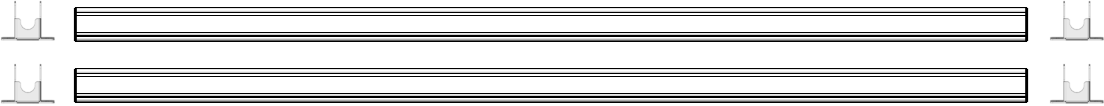
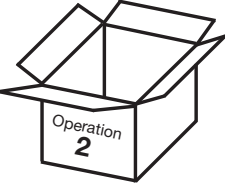
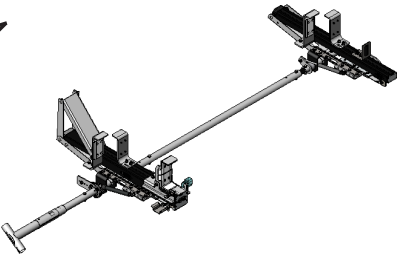
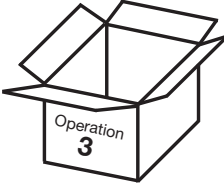
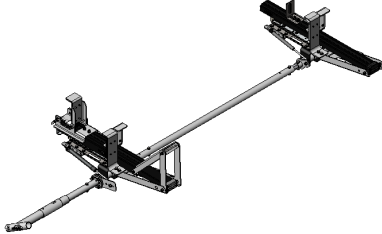
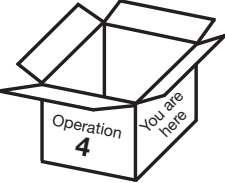

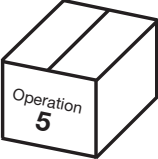

ORDER OF OPERATION

MAX RACK SINGLE SIDE



MAX RACK DOUBLE SIDE



 <p>Operation 1</p>	<p>18-U1806</p> 	
<p>18-U1810</p>  <p>Operation 2</p> 	<p>18-U1815</p>  <p>Operation 3</p>  <p>OPTIONAL: Applicable only for Max Rack Double Side.</p>	
 <p>Operation 4 You are here</p>	<p>MOUNTING TRACK</p> 	
 <p>Operation 5</p>	<p>18-U1807</p> 	

QUICK START GUIDE

Phase 1 - Assembly

- 1.1 Setup..... 4 - 5

Phase 2 - Installation

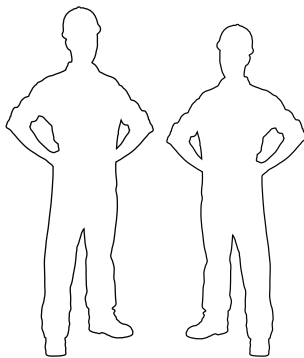
- 2.1 Mounting Tracks installation..... 5 - 6
- 2.2 Max Rack installation..... 7 - 10

Phase 3 - Adjustment

- 3.1 Adjustment for Max Rack..... 11 - 12

REQUIRED ITEMS FOR COMPLETE MAX RACK

NOTE: Use Sawhorses if possible, or use the box as a flat protective surface on the ground or table.



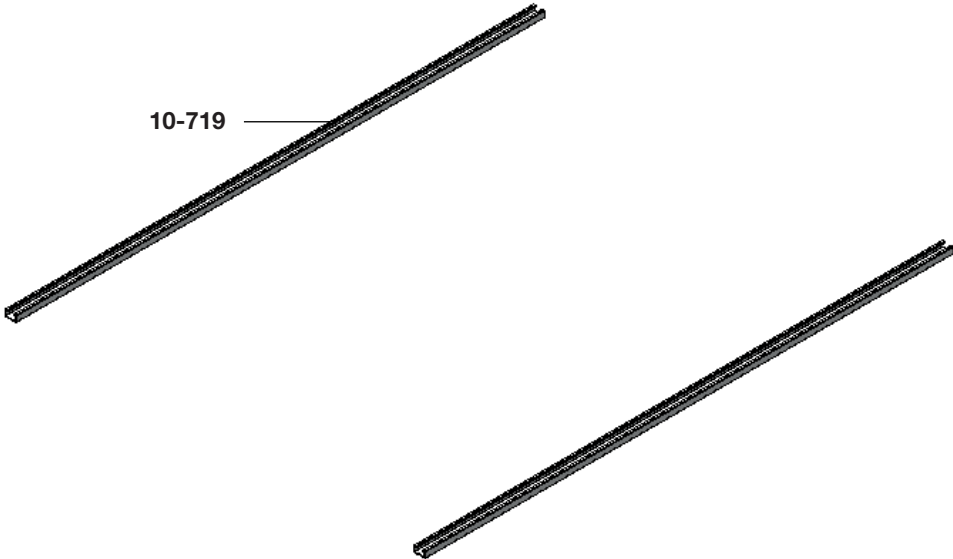
**2
PERSONS**

- Cordless Impact
- Ratchet
- Tape Measure
- Marker
- Ladder
- 1/2" Wrench
- 1/2" Socket
- Sawhorse (Optional)
- Box

PHASE 1 – ASSEMBLY

1.1 SETUP

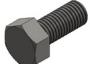
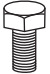



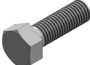
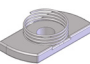


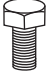



1.1.1 Unpack components; compare with the bill of materials.



1.1.2 Verify all parts are present.

Item No.	Description	Qty.
10-719	Mounting Track 75" Long	2
96-0010	Fastener Kit	1

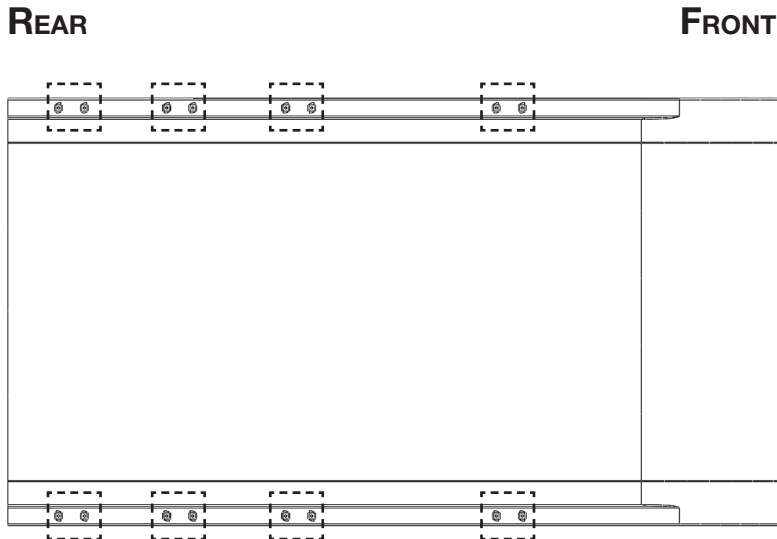
1.1.3 Identify the **Assembly** and **Installation** fastener bags.

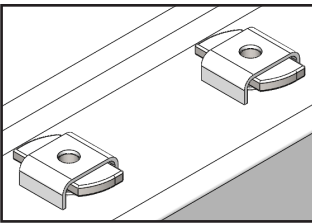
96-0010		→	Fastener Assembly	
16x		# 90-203	Hex Bolt 5/16" - 18 x 5/8" SS304	<p>8x</p>  #90-209 Hex Bolt 1"  #98-123 Lock Washer  #98-117 Flat Washer  #94-150 Channel Nut
8x		# 90-209	Hex Bolt 5/16"-18 x 1" SS304	
24x		# 94-150	Channel Nut 5/16"	
24x		# 98-117	Flat Washer 5/16" OD, 3/4" SS18-8	
24x		# 98-123	Lock Washer 5/16" SS304	
				<p>16x</p>  #90-203 Hex Bolt 5/8"  #98-123 Lock Washer  #98-117 Flat Washer  #94-150 Channel Nut

PHASE 2 – INSTALLATION

2.1 MOUNTING TRACKS INSTALLATION


2.1.1 Install the channel nuts in the roof.





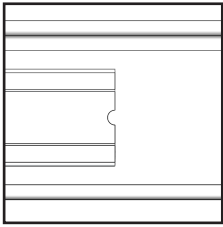
FASTENERS USED

16x

 #94-150 Channel Nut

2.1.2 Install the mounting tracks onto the roof of the van by aligning the holes to the channel nuts.

NOTE: The ends of the mounting tracks with the half-circles go to the front of the vehicle.






TOOLS

- Cordless Impact
- 1/2" Socket

FASTENERS USED

16x

-  #90-203 Hex Bolt 5/8"
-  #98-123 Lock Washer
-  #98-117 Flat Washer

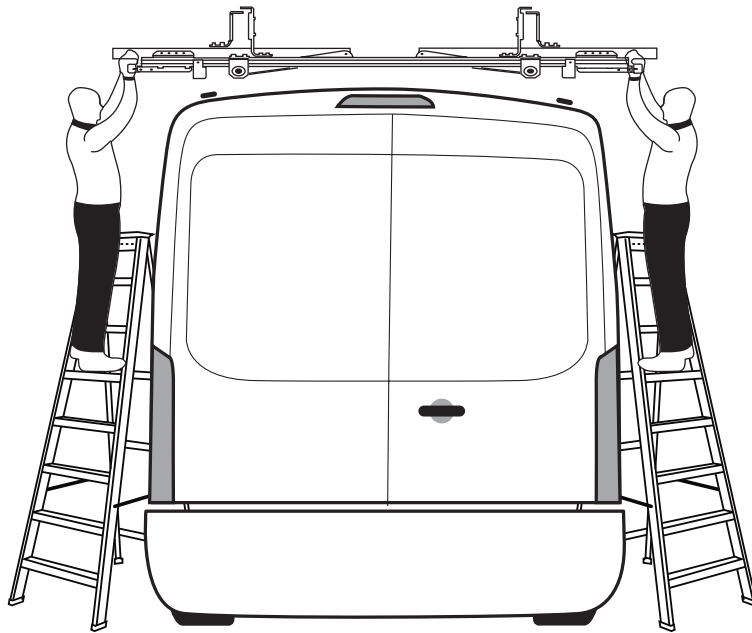
PHASE 2 – INSTALLATION

2.2 MAX RACK INSTALLATION

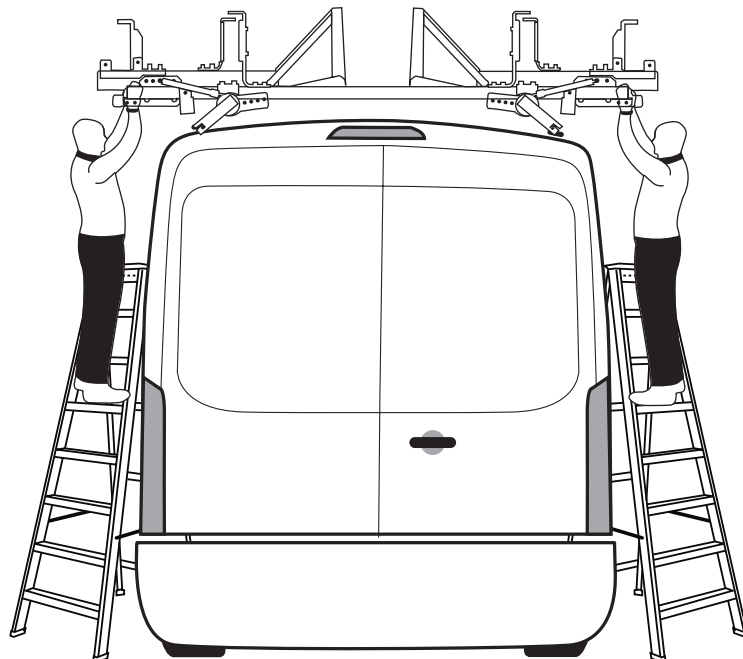
2.2.1 Position the Max Rack (**minimum two persons**) on the vehicle so that the feet are on the tracks.

NOTE: If you do not have an overhead lift, lift the front crossbar onto the roof first then the rear crossbar.

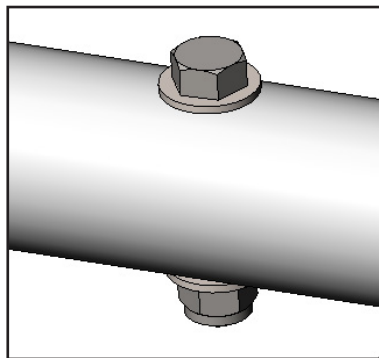
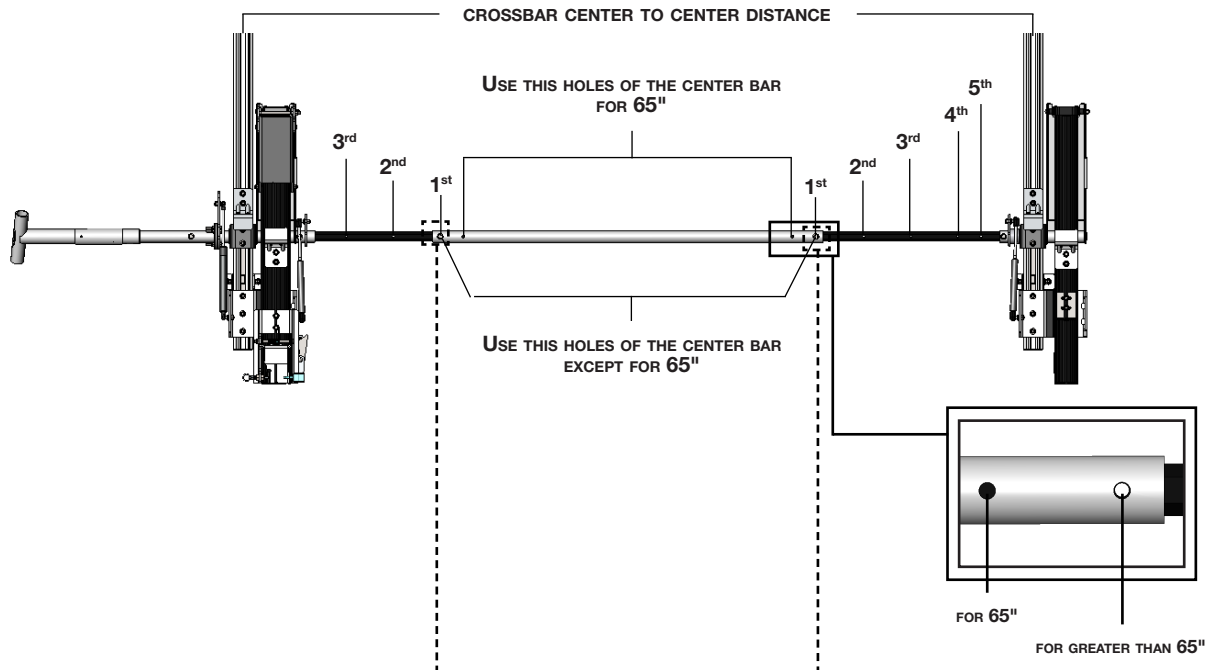
FRONT CROSSBOW



REAR CROSSBOW



2.2.2 Attach the ends of the front and rear bars to the center tube.



FASTENERS USED
2x (17 ft • lbs)

-  #90-225 Hex Bolt 2"
-  #98-117 Flat Washer 5/16"
-  #98-117 Flat Washer 5/16"
-  #94-111 Lock Nut 5/16"

TOOLS

- Cordless Impact
- 1/2" Socket
- 1/2" Wrench

RECOMMENDED SET-UP

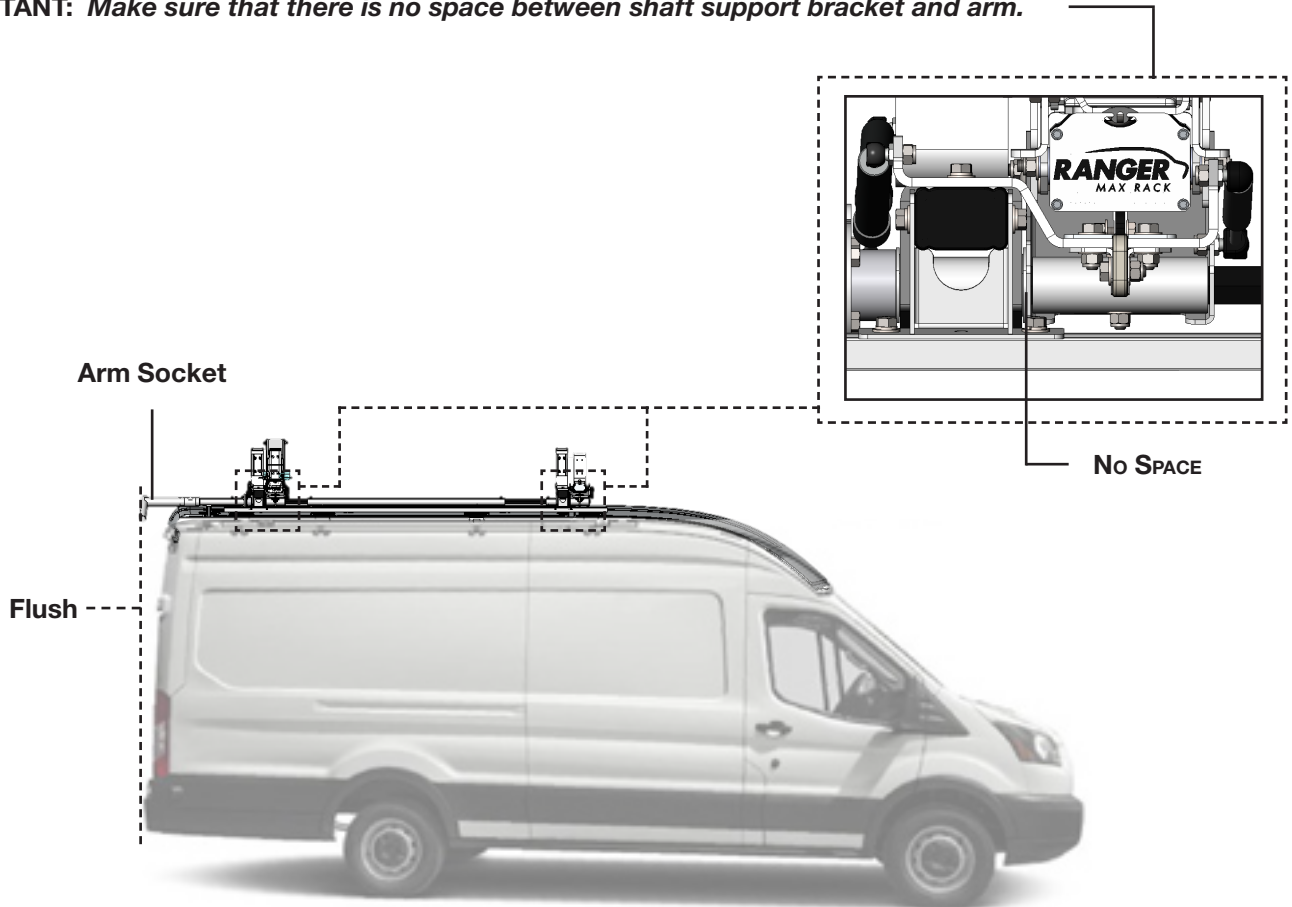
VEHICLE	CROSSBAR CENTER TO CENTER DISTANCE	LADDER SIZE
NISSAN NV	65" (3 RD & 4 TH HOLES)	UP TO EXTENSION 24' & STEP 8' TO 10' ONLY

- 2.2.3** • Align the arm socket to the rear bumper of the vehicle.
 • Attach all the feet to the mounting tracks.

NOTE: These conditions must be respected:

- The arm socket and the ladder cannot extend beyond the rear bumper of the vehicle.
- The center of the ladder must be behind the front hook when the ladder is loaded.

IMPORTANT: *Make sure that there is no space between shaft support bracket and arm.*

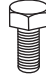





TOOLS

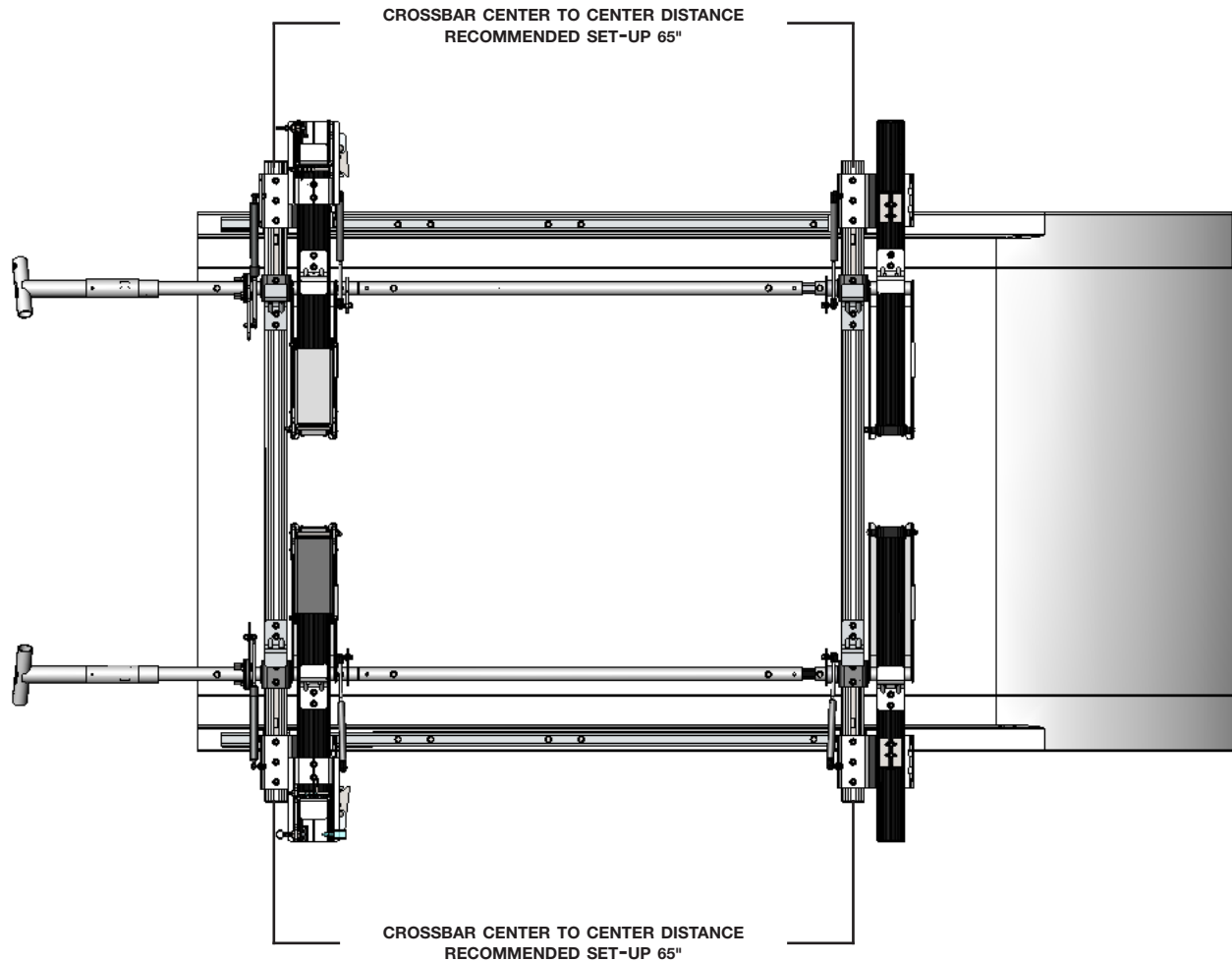
- Ratchet
- 1/2" Socket

FASTENERS USED

8x

	#90-209 Hex Bolt 5/16" x 1"
	#98-123 Lock Washer
	#98-117 Flat Washer
	#94-150 Channel Nut

2.2.4 Before tightening the feet to the mounting track make sure that the 2 crossbar is parallel.



VEHICLE	CROSSBAR CENTER TO CENTER DISTANCE	LADDER SIZE
NISSAN NV	65" (3 RD & 4 TH HOLES)	UP TO EXTENSION 24' & STEP 8' TO 10' ONLY

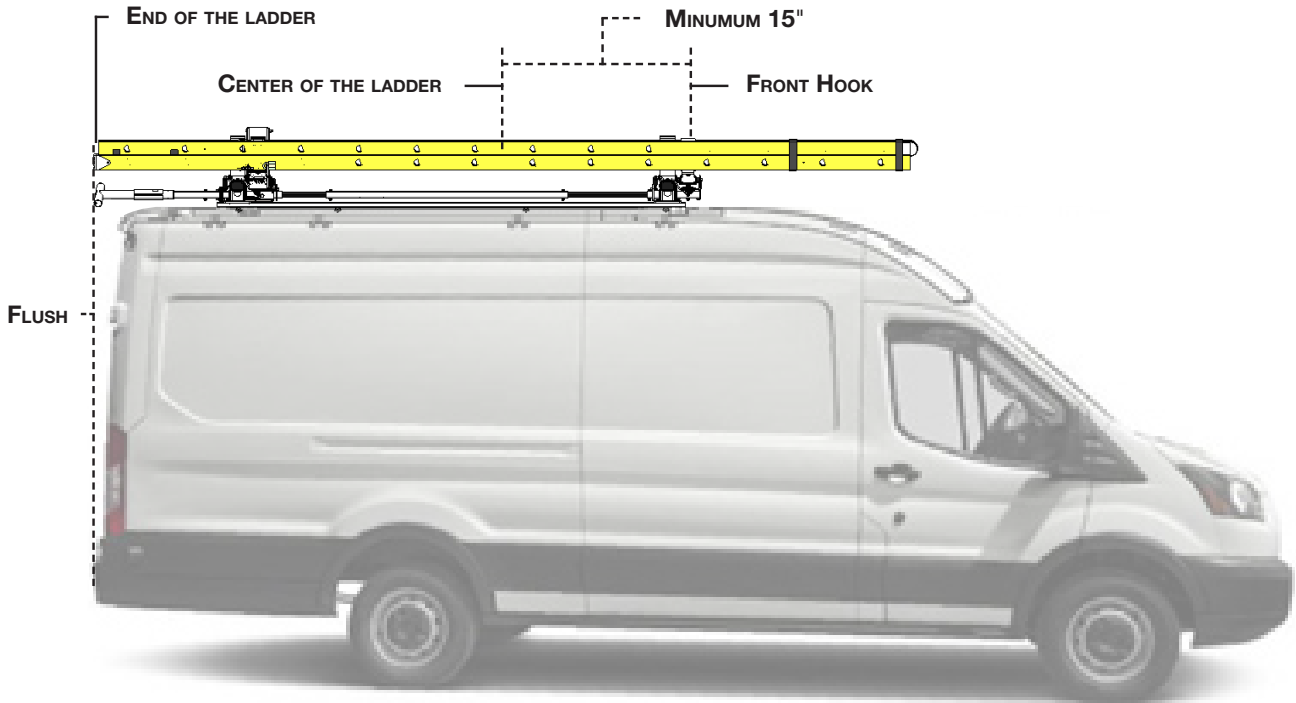
PHASE 3 – ADJUSTMENT

3.1 ADJUSTMENT FOR MAX RACK

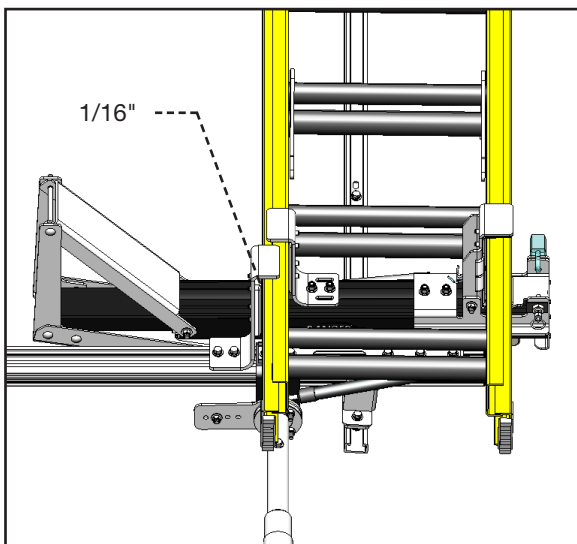
- 3.1.1 • Place the Max Rack in the down position.
- Load the ladder onto the Max Rack.

NOTE: These conditions must be respected:

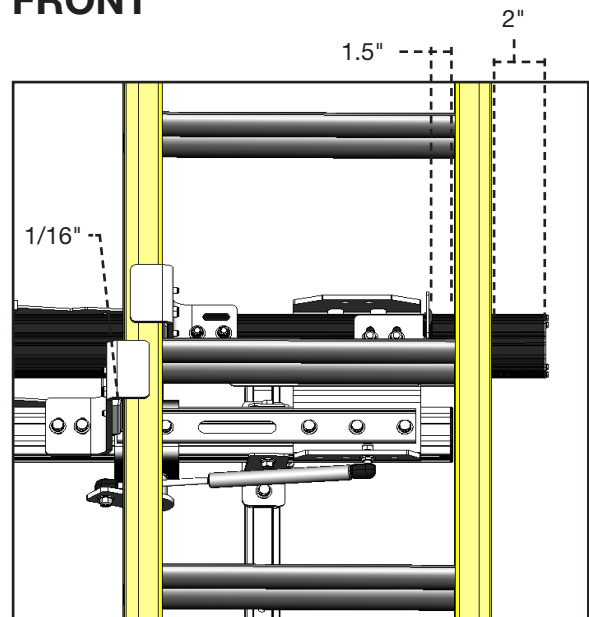
- The arm socket and the ladder cannot extend beyond the rear bumper of the vehicle.
- The center of the ladder must be behind the front hook when the ladder is loaded.



REAR



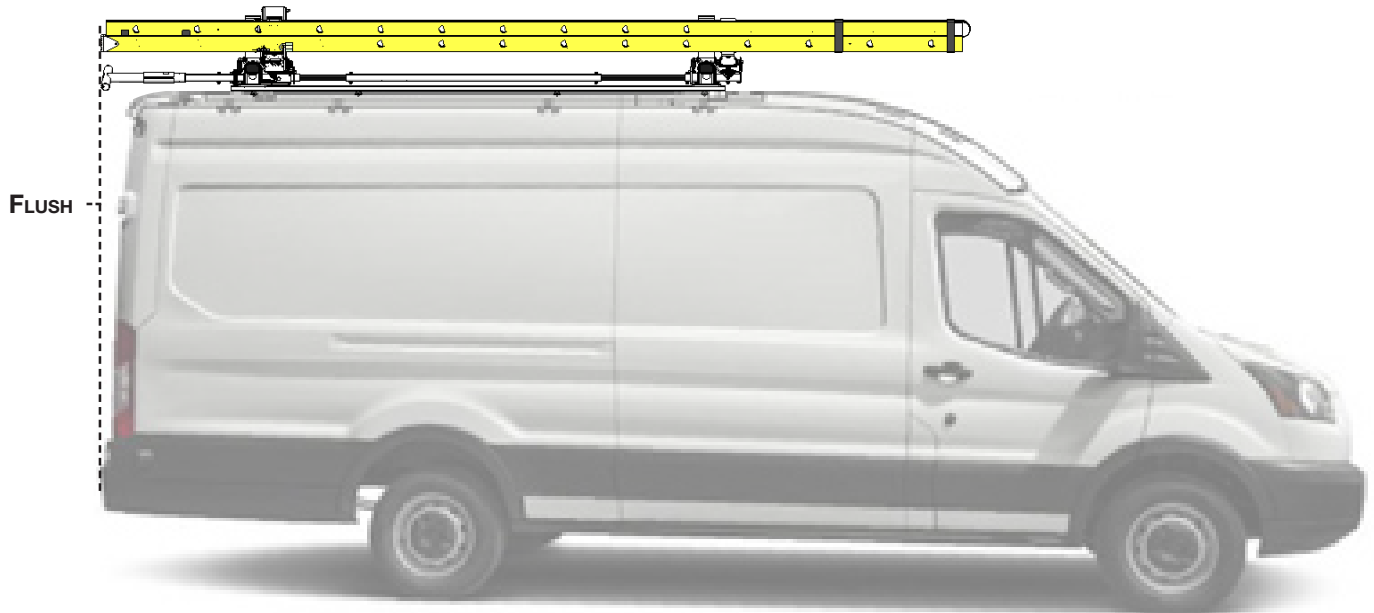
FRONT



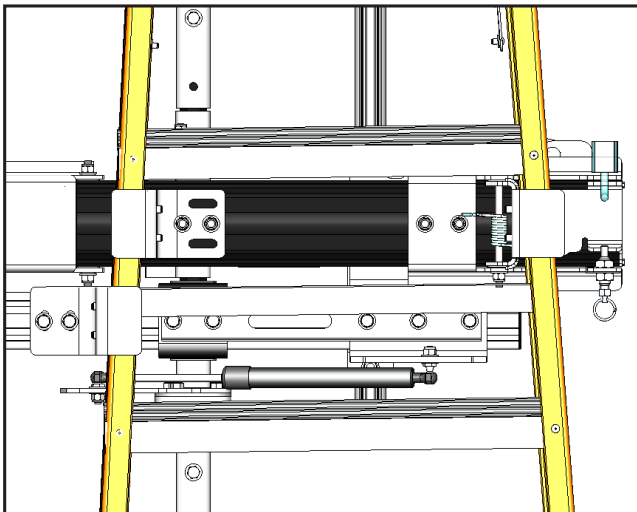
STEP LADDER INSTALLATION

NOTE: These conditions must be respected:

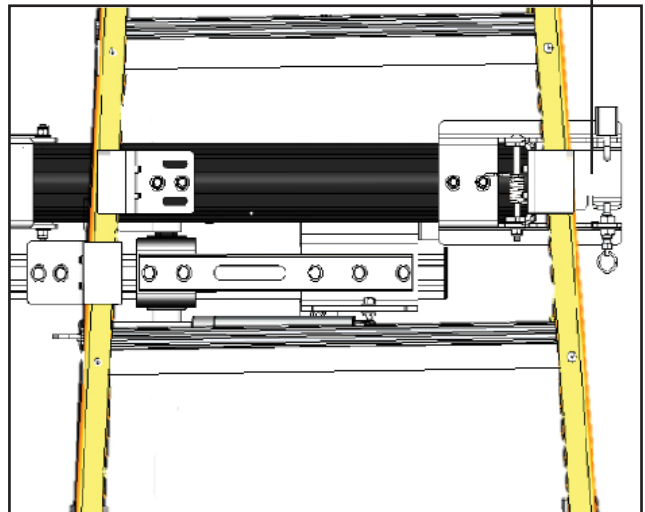
- The arm socket and the ladder cannot extend beyond the rear bumper of the vehicle.
- The center of the ladder must be behind the front hook when the ladder is loaded.



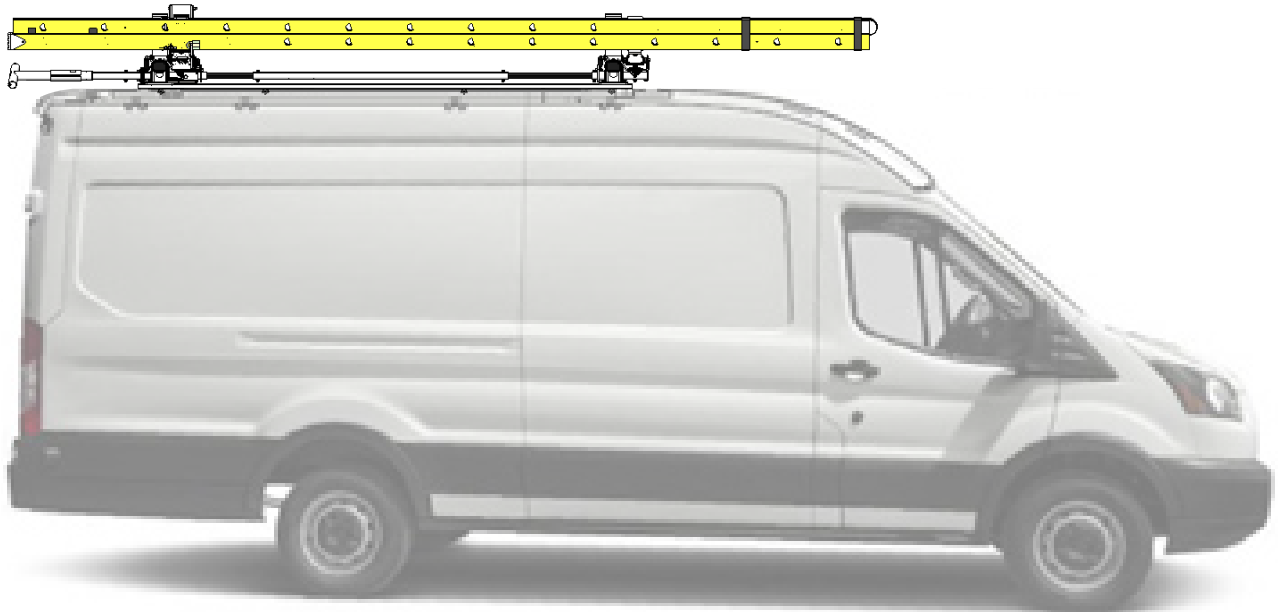
8' STEP LADDER



10' STEP LADDER



- NOTE:**
- Ensure that everything is safely assembled and fastened.
 - With the ladder locked, operate your Max Rack a few times, while carefully observing the moving parts.



“Congratulations, you have successfully installed your Mounting Tracks and your completed Rack on your vehicle!

Thank you for doing business with us.”

For any feedback or suggestions you might have, please contact: cs@rangerdesign.com

