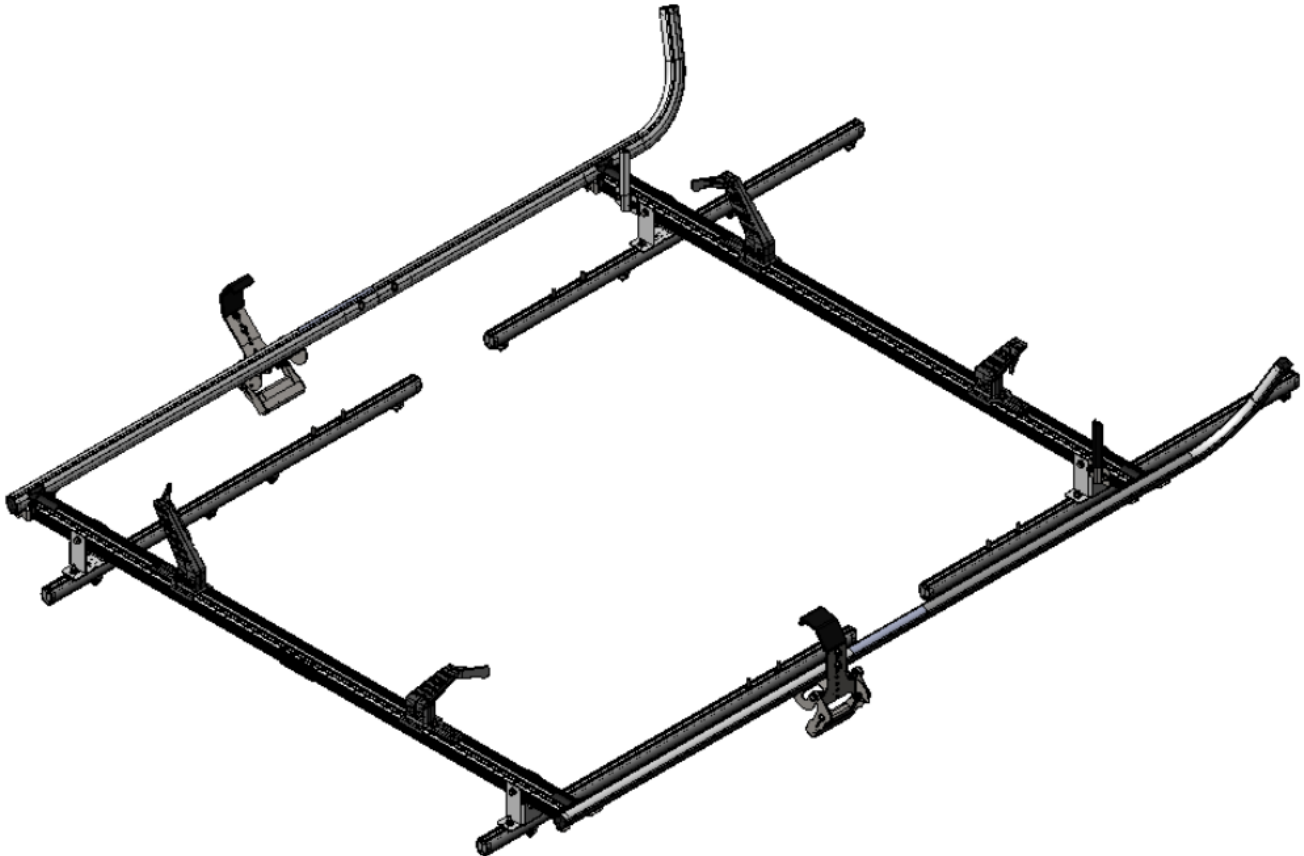


# INSTALLATION GUIDE



## CLAMP RACK

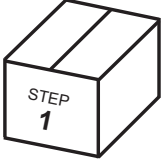

1630-PC, 1630-TC  
1630-PCX, 1630-TCX

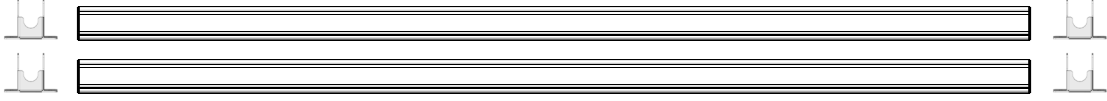


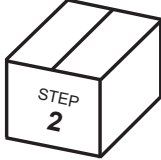

# ORDER OF OPERATION


## CLAMP RACK

 **Click on this icon next to each unit to be redirected to the respective Install Guides.**



 **16-UCD66** 

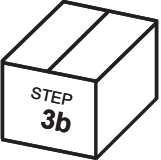



 **16-UCT66** 



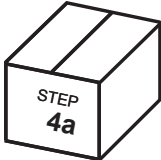

\*Needed for 1630-PCX & 1630-TCX only


 **16-UCL65** 







\*Needed for 1630-PC & 1630-TC only

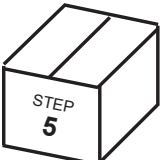
 **16-UCL77** 






\*Needed for 1630-PCX & 1630-TCX only



 **FORD** **RAM**

TRANSIT CONNECT 18-U0046  PROMASTER CITY 18-U0045 