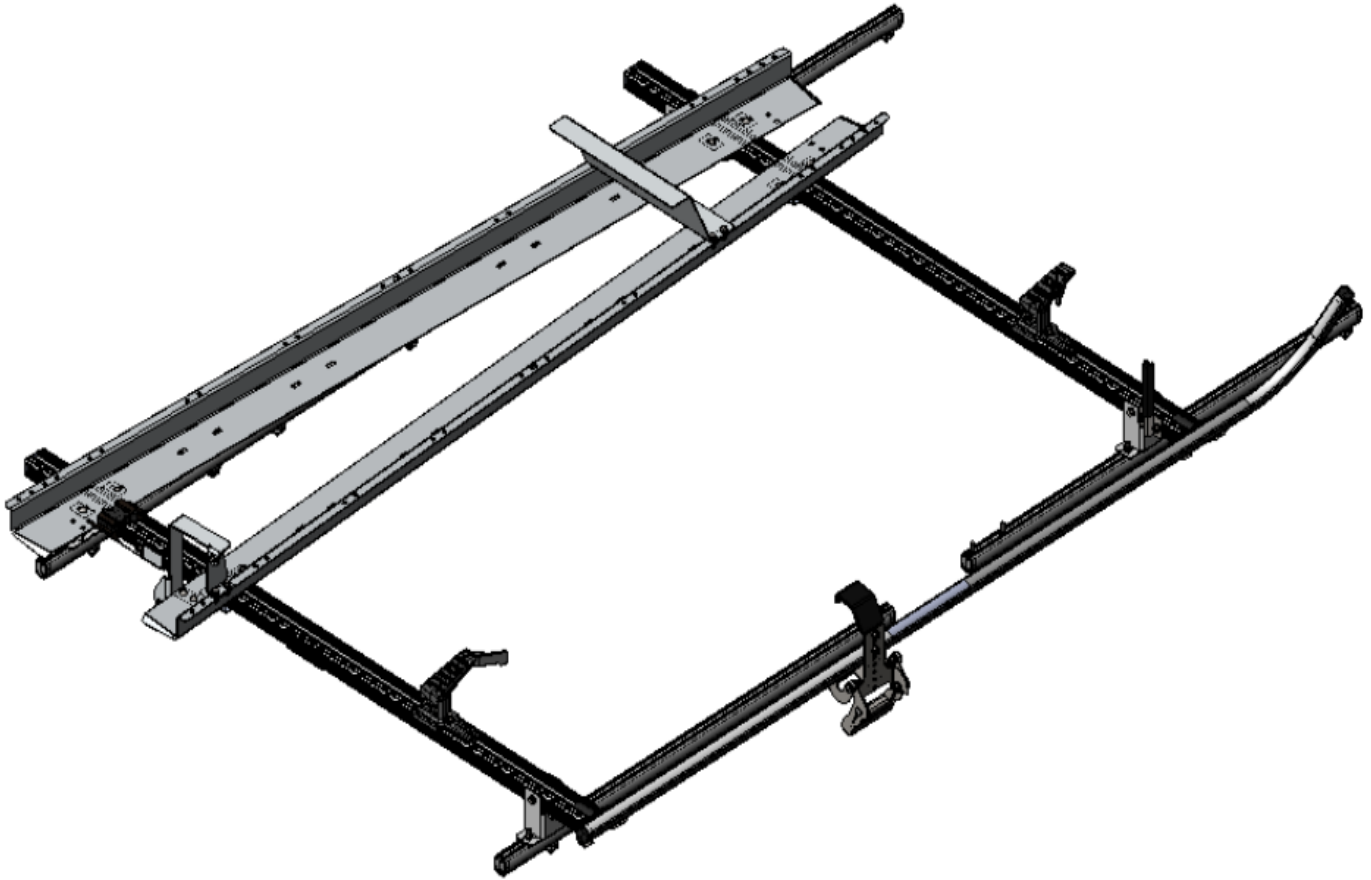


INSTALLATION GUIDE



CLAMP RACK

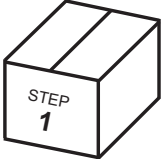

1625-PC, 1625-TC

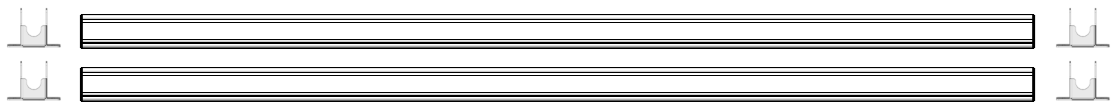


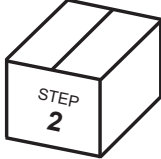

ORDER OF OPERATION

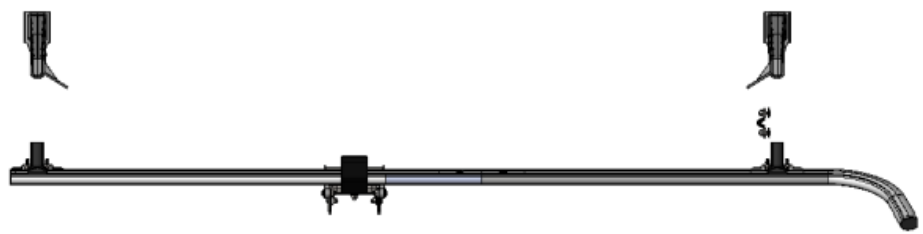
CLAMP RACK

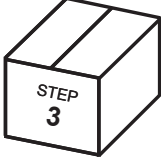

 **Click on this icon next to each unit to be redirected to the respective Install Guides.**

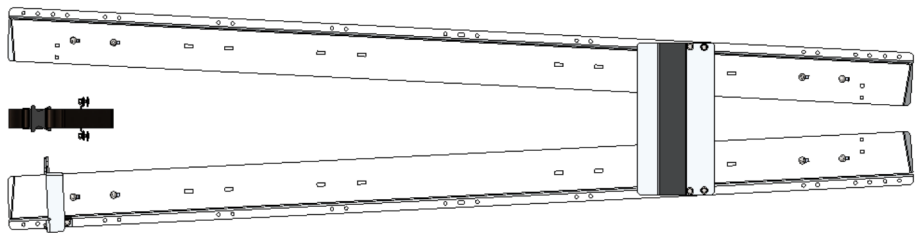
 **16-UCD66** 





 **16-UCL65** 




 **16-U1127** 







FORD		RAM	
TRANSIT CONNECT	18-U0046 	PROMASTER CITY	18-U0045 