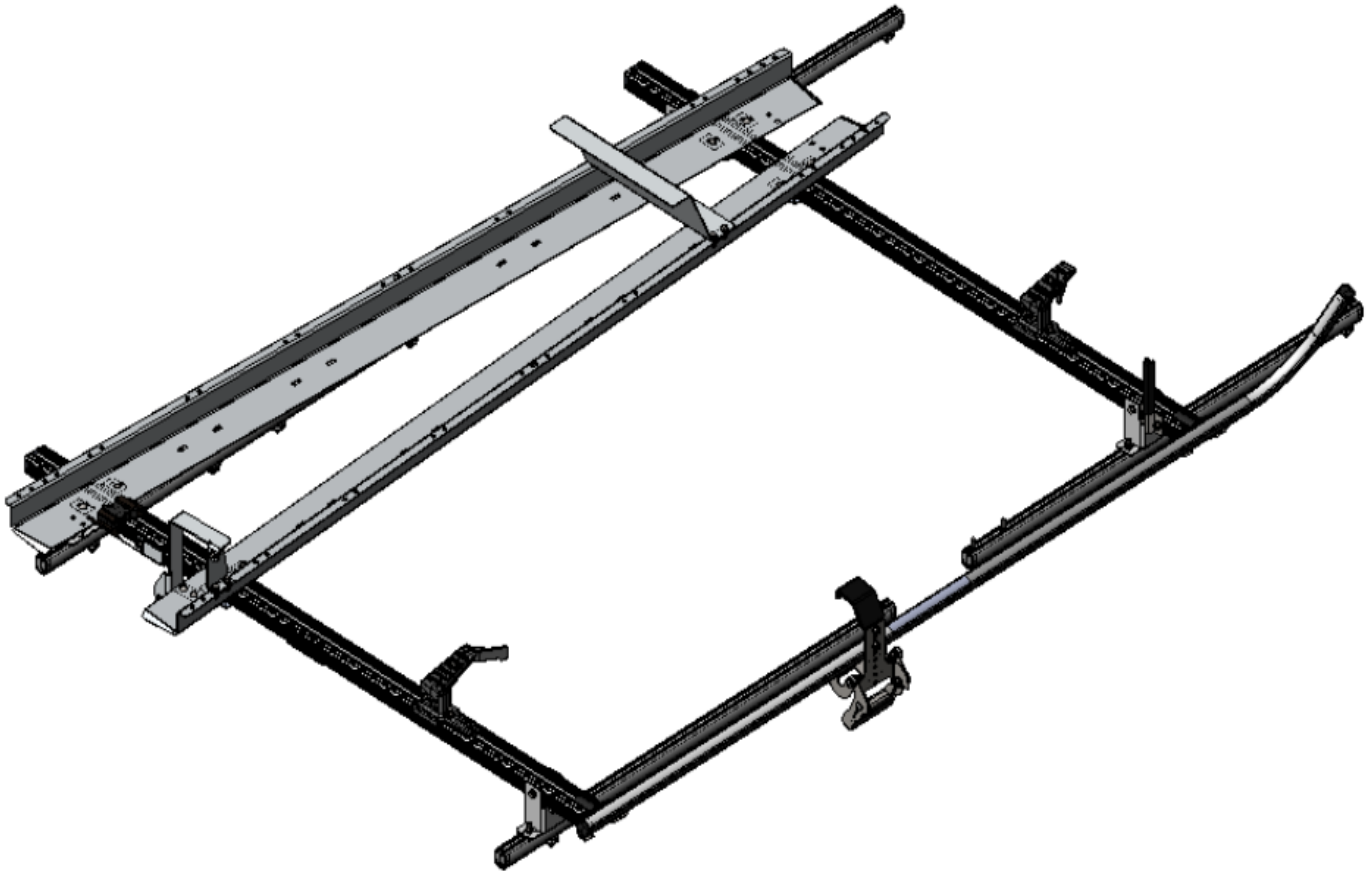


# INSTALLATION GUIDE



## CLAMP RACK

1625-DH,    1625-GS  
1625-FTR,   1625-FTL  
1625-MM,    1625-PHL  
1625-PHM,   1625-PHS  
1625-PHX







# ORDER OF OPERATION

## CLAMP RACK

 **Click on this icon next to each unit to be redirected to the respective Install Guides.**

STEP 1

16-UCD72  16-UCDGS (for Savana)  16-UCD66 (for Metris) 

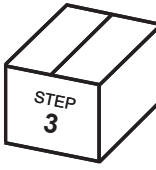


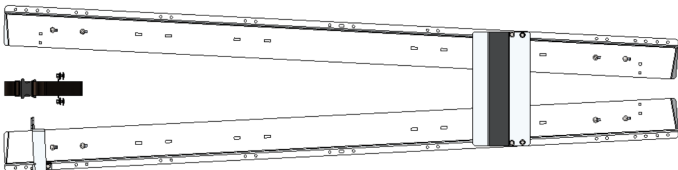
STEP 2

16-UCL77 














STEP 3

16-U1127 



STEP 4



<b>FORD</b>			<b>MERCEDES-BENZ</b>	
TRANSIT 130"	18-U0042		SPRINTER	18-U0018 
TRANSIT 148"	18-U0030		SPRINTER w/OEM Tracks	18-U0019 
			METRIS	18-U0043 
<b>RAM</b>			<b>*Universal Bolt-Through foot Mounts</b>	18-U0047 
PROMASTER 118"	18-U0020			
PROMASTER 136"	18-U0022			
PROMASTER 159"	18-U0032			
PROMASTER 159" Ext.	18-U0034			

\*For 18-U0047: 1 kit per crossbar required.