

# INSTALLATION GUIDE



## CLAMP RACK

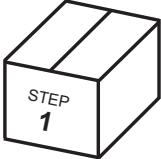

1625-PC, 1625-TC

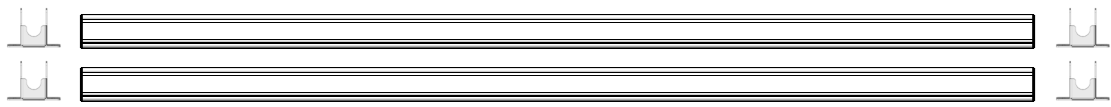


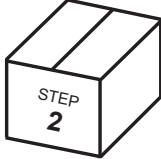

# ORDER OF OPERATION

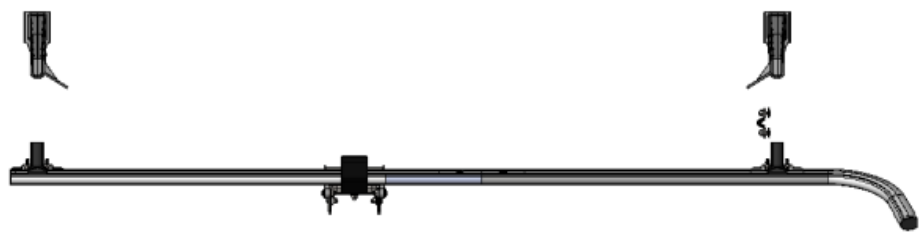
## CLAMP RACK

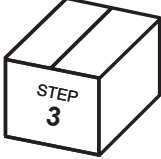

 **Click on this icon next to each unit to be redirected to the respective Install Guides.**

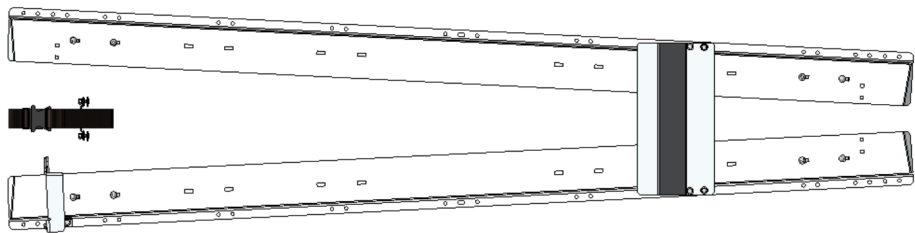
 **16-UCD66** 





 **16-UCL65** 




 **16-U1127** 







<b>FORD</b>		<b>RAM</b>	
TRANSIT CONNECT	<b>18-U0046</b> 	PROMASTER CITY	<b>18-U0045</b> 