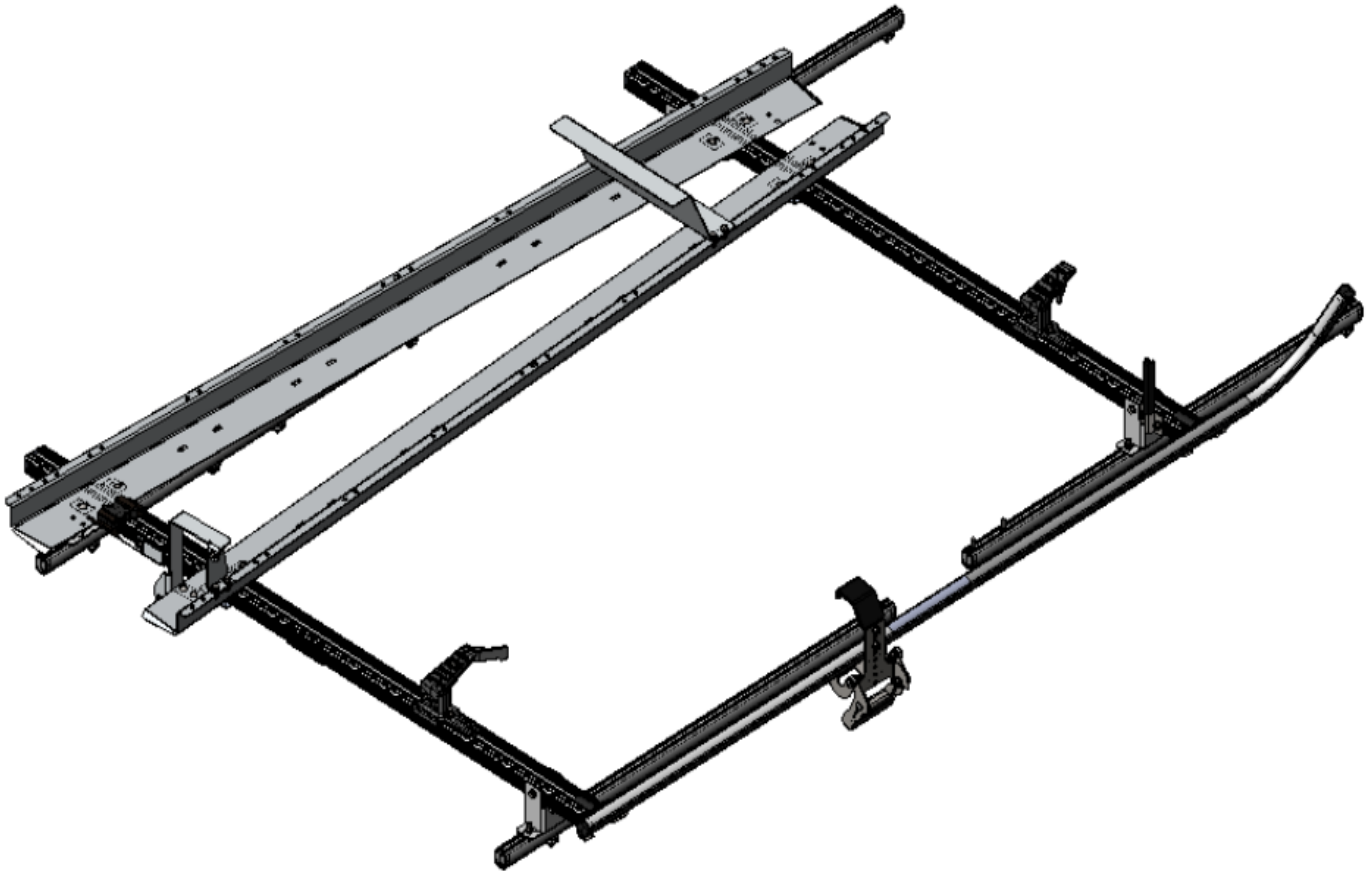


# INSTALLATION GUIDE



## CLAMP RACK





1625-DH,    1625-GS  
1625-FTR,   1625-FTL  
1625-MM,    1625-PHL  
1625-PHM,   1625-PHS  
1625-PHX




# ORDER OF OPERATION

## CLAMP RACK

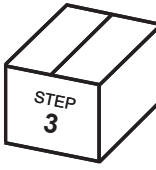
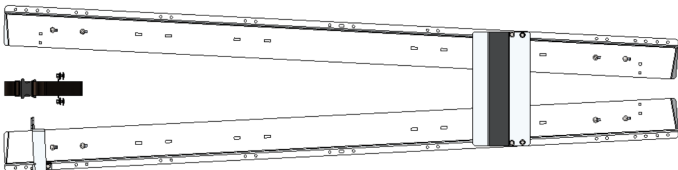
 **Click on this icon next to each unit to be redirected to the respective Install Guides.**

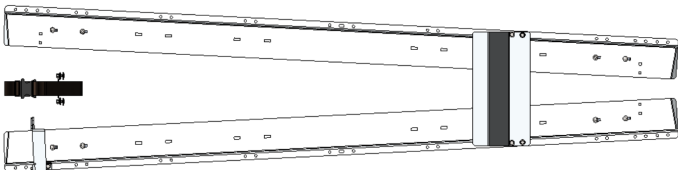
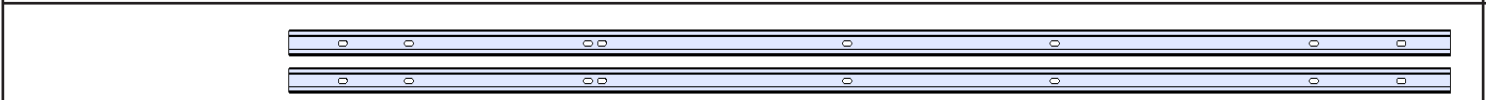
 **16-UCD72**  **16-UCDGS (for Savana)**  **16-UCD66 (for Metris)** 

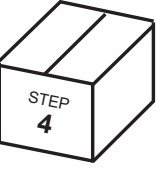


 **16-UCL77** 



 **16-U1127** 

	<b>FORD</b>		<b>MERCEDES-BENZ</b>	
	TRANSIT 130"	18-U0042	SPRINTER	18-U0018
	TRANSIT 148"	18-U0030	SPRINTER w/OEM Tracks	18-U0019
			METRIS	18-U0043
			<b>*Universal Bolt-Through foot Mounts</b>	18-U0047
	<b>RAM</b>			
	PROMASTER 118"	18-U0020		
	PROMASTER 136"	18-U0022		
	PROMASTER 159"	18-U0032		
	PROMASTER 159" Ext.	18-U0034		

\*For 18-U0047: 1 kit per crossbar required.