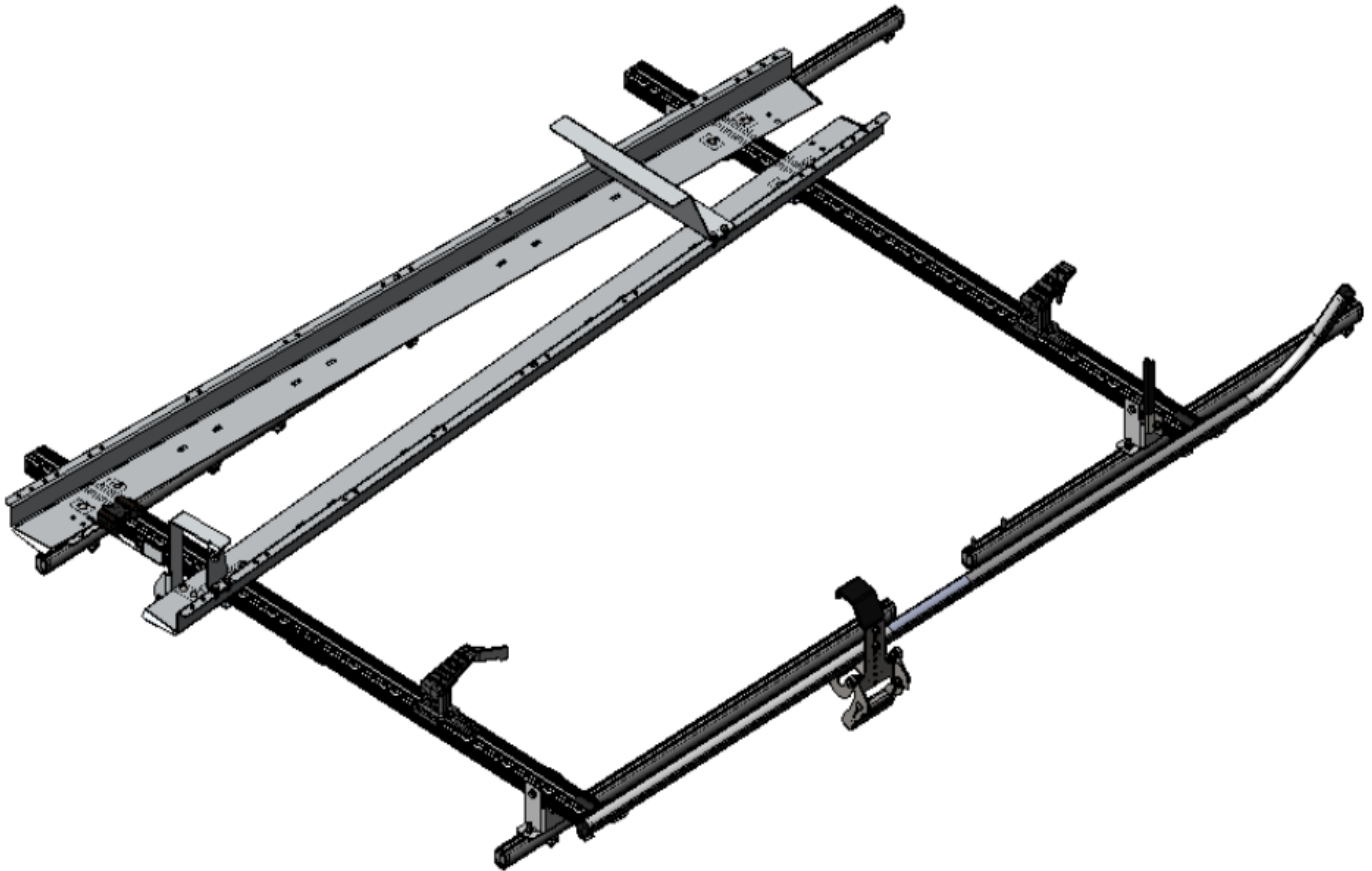


INSTALLATION GUIDE



CLAMP RACK

1625-DH, 1625-GS
1625-FTR, 1625-FTL
1625-MM, 1625-PHL
1625-PHM, 1625-PHS
1625-PHX




RANGER
DESIGN


ORDER OF OPERATION

CLAMP RACK

 **Click on this icon next to each unit to be redirected to the respective Install Guides.**

STEP 1

16-UCD72  16-UCDGS (for Savana)  16-UCD66 (for Metris) 




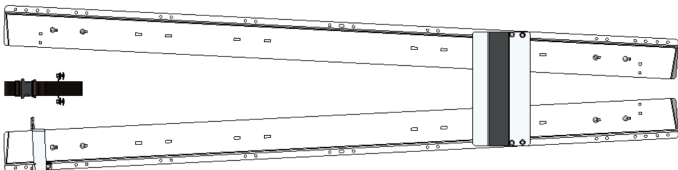
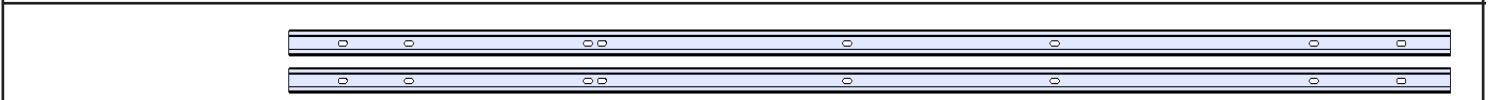
STEP 2

16-UCL77 













STEP 3

16-U1127 

STEP 4

FORD		MERCEDES-BENZ	
TRANSIT 130"	18-U0042 	SPRINTER	18-U0018 
TRANSIT 148"	18-U0030 	SPRINTER w/OEM Tracks	18-U0019 
		METRIS	18-U0043 
		*Universal Bolt-Through foot Mounts	18-U0047 
RAM			
PROMASTER 118"	18-U0020 		
PROMASTER 136"	18-U0022 		
PROMASTER 159"	18-U0032 		
PROMASTER 159" Ext.	18-U0034 		

*For 18-U0047: 1 kit per crossbar required.