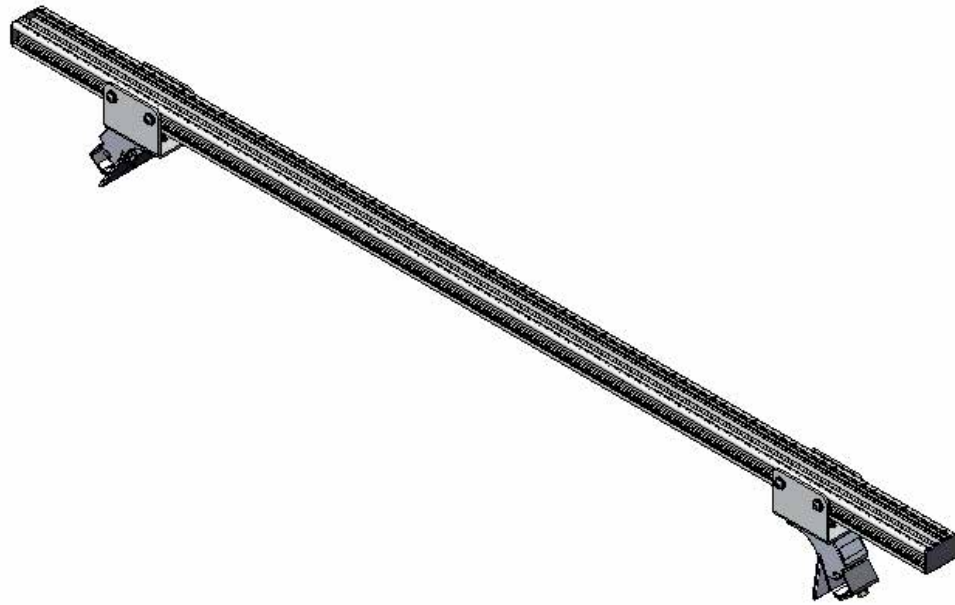


INSTALLATION GUIDE



16-UCSGS Crossbar

SAVANA 1 BAR (72")



Scan the QR for the latest Install-Guide.





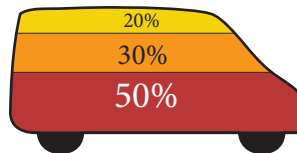
BEFORE YOU BEGIN

READ, UNDERSTAND, AND FOLLOW ALL WARNINGS AND INSTRUCTIONS BEFORE USING THIS PRODUCT. FAILURE TO FOLLOW THESE DIRECTIONS MAY RESULT IN PROPERTY DAMAGE, SERIOUS BODILY INJURY, AND/OR DEATH. RANGER DESIGN IS NOT RESPONSIBLE FOR ANY PROPERTY DAMAGE, PERSONAL INJURY, OR DEATH THAT OCCURRED WHILE USING ANY RANGER DESIGN PRODUCTS.



WARNING

- Failure to use Ranger Design-provided fasteners, brackets, and proper installation guidelines could increase risk of serious personal injury and/or death.
- If drilling is required to complete this installation: improper drilling can cause property damage to vehicles and could lead to electric shock, fire, or even death.
- If drilling is required to complete this installation: Ensure that drilling is only performed on areas of the vehicle allowed by the vehicle's Original Equipment Manufacturer's Body Builders Layout Book (or equivalent document).
- Prior to installation, inspect the vehicle to ensure that installation will not interfere with, or cause obstruction of, any critical components such as electrical wiring, fuel tanks, fuel-cells, locks, latches, etc.
- The installer or manufacturer is responsible for ensuring anchorages are installed onto suitable wall and floor structures; wall and floor strength must meet applicable performance requirements.
- Do not install systems into any weak or unsound materials such as plastics, woods, thin-walled metals, etc. without proper reinforcement.
- Do not install this product where it could interfere with the deployment of airbags. Failure to comply could result in death or serious injury.
- Do not install this product where it could ingress on the Transit Occupant Protection Zone. Failure to comply could result in death or serious injury.
- Incorrect installation could cause water leaks, electric shock or fire.
- Any cargo vehicle with any cargo or equipment should use a certified partition. See Ranger Design website for some partition options. (<https://rangerdesign.com/>)
- Mountings rails are recommended for any attachment to the vehicle walls.
- All items in the cargo area should be properly secured and partition doors closed while the vehicle is in motion.
- Check your vehicle's tare weight and remaining load capacity with all the equipment installed. Never exceed the maximum Gross Vehicle Weight Rating (GVWR), Gross Axle Weight Ratings (GAWRs), or other maximum loads permitted by the vehicle's Original Equipment Manufacturer (OEM) and required by law.
- The heaviest items must be placed towards the bottom of the vehicle, while the lightest ones can be arranged upwards. Vehicle cargo loading weight proportion should follow the following guidelines:



- The final alterer and/ or modifier should review the warning sheet with the customer before the vehicle is released to the customer or for general use. These instructions should remain with the vehicles a all times.
- Any modification or unintended use of this product voids any warranty and could create a hazardous condition.
- Ranger Design provides recommended assembly and installation instructions which should be followed to ensure correct operation. Failure to do so could result in invalidating the product's compliance, warranty and cause injury. Notwithstanding, the final stage vehicle alterer and/or modifier is responsible for the integration, installation, and compliance of the product in its final location to all applicable regulations and standards. Failure to maintain compliance of the vehicle to applicable regulations and standards could be punishable by law. Alterers and/or modifiers should consult with all local authorities prior to commissioning.



CAUTION

- Drilling is required to complete this installation. Before drilling, ensure that you will not hit any critical parts of the vehicle like the gas tank, wiring harness, or hose. Consult the vehicle OEM documentation as necessary. When drilling, use a drill collar to reduce the risk of damage to the vehicle.
- Any materials, padding, or glazing installed in the vehicle must comply with FMVSS/CMVSS 201/205/302, as applicable.
- In the event of a motor vehicle accident or collision where a Ranger system has been installed, especially ones where the vehicle structure is damaged and/or the air bags deploy and/or the vehicle has been towed, the system must be inspected to ensure continued soundness and safety before returning the vehicle to service. Damaged components should be replaced as necessary.
- All system components should be regularly inspected, cleaned, and maintained pursuant to Ranger guidelines.

QUICK START GUIDE

Phase 1 - Assembly

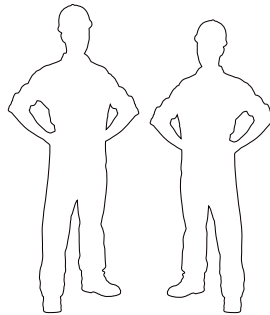
<input type="checkbox"/> 1.1 Setup.....	4
---	---

Phase 2 - Installation

<input type="checkbox"/> 2.1 Install.....	6
---	---

REQUIRED ITEMS

- Rubber Mallet
- Ratchet
- Socket 1/2"
- Socket 9/16"
- Anti-Seize

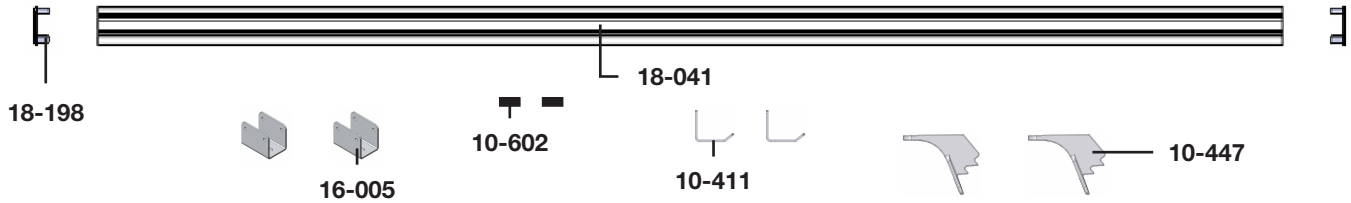


2
PERSONS

PHASE 1 – ASSEMBLY

1.1 SETUP

1.1.1 Verify all parts are present.

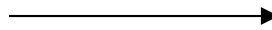


BILL OF MATERIALS




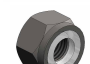
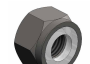




Item No.	Description	Qty.
10-448	Foot (MIDDLE FOOT)	2
10-411	Gutter Clip	2
10-602	Insulator Pad	2
16-005	Foot Bracket	2
18-041	Crossbar 72"	1
18-198	End Plastic Plug	2
96-4807	Fastener kit	1

1.1.2 Fastener kits.





96-4807 Fastener Kit



Fastener Install

- 4x  # 90-213 Hex Bolt 5/16"-18 x 1 - 1/4" SS304
- 2x  # 90-327 Hex Bolt 3/8"-16 x 2-1/2" SS304
- 8x  # 90-979 Hex Drive Bolt 5/16" - 18 x 5/8" SS304
- 2x  # 94-109 Lock Nut 3/8" SS304wax
- 4x  # 94-111 Lock Nut 5/16" SS304wax
- 8x  # 94-250 Channel Nut 5/16"
- 2x  # 98-109 Flat Washer 3/8" SS304
- 16x  # 98-117 Flat Washer 5/16" OD, 3/4" SS18-8
- 8x  # 98-123 Lock Washer 5/16" SS304

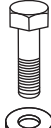


8x

-  #90-979 Hex Drive Bolt 5/8"
-  #98-123 Lock Washer 5/16"
-  #98-117 Flat Washer 5/16"
-  #94-250 Channel Nut 5/16"

4x

-  #90-213 Hex Bolt 1 - 1/4"
-  #98-117 Flat Washer 5/16"
-  #98-117 Flat Washer 5/16"
-  #94-111 Lock Nut

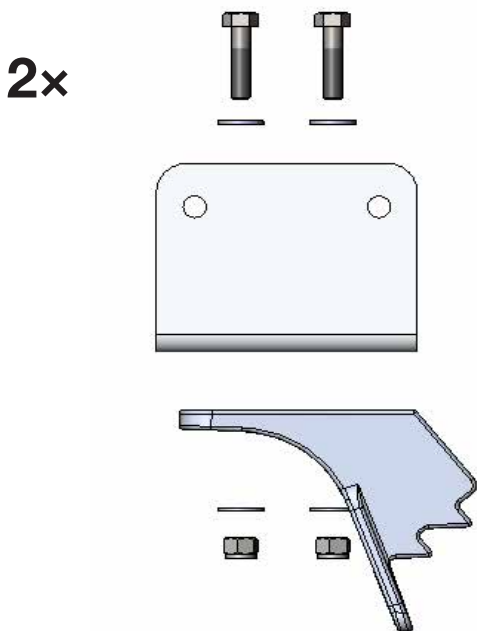
2x

-  #90-327 Hex Bolt 3/8" x 2-1/2"
-  #98-109 Flat Washer
-  #94-109 Lock Nut

1.2 ASSEMBLY

Prior to following this install guide, please see the install guide of the mechanism being installed (i.e., Max Rack, Clamp Rack, Cargo+) for initial steps. If no additional steps are required proceed with this

1.2.1 Assemble feet.



TOOLS

- Cordless Impact
- 1/2" Socket

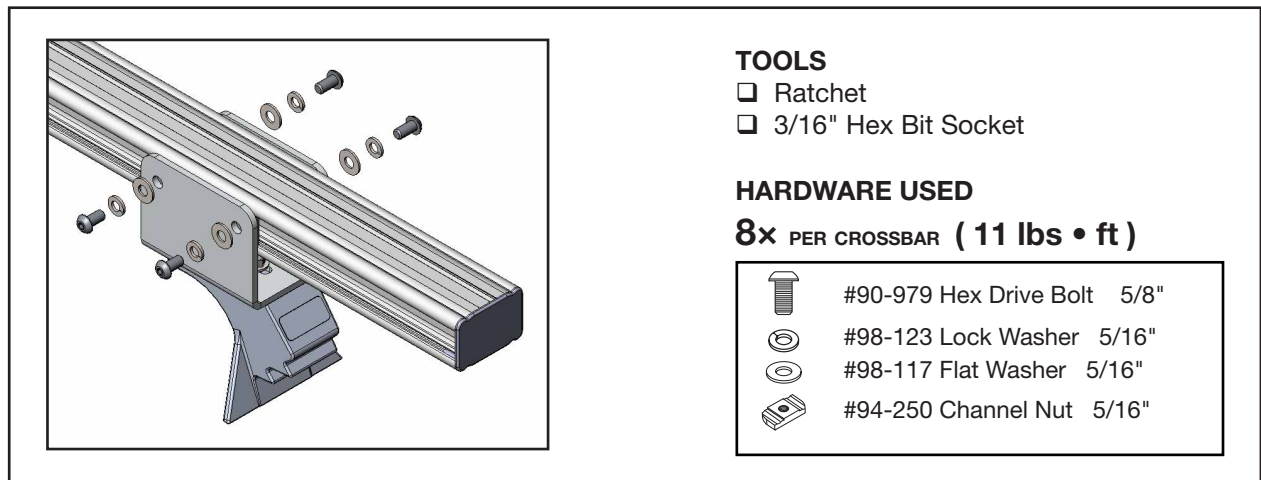
HARDWARE USED

2x (11 lbs • ft)

	#90-213 Hex Bolt	1 - 1/4"
	#98-117 Flat Washer	5/16"
	#98-117 Flat Washer	5/16"
	#94-111 Lock Nut	

IMPORTANT: FEET FOR DOUBLE CROSSBARS (10-447) ARE TALLER THAN THE 3RD CROSSBAR (10-448), BECAUSE OF THE ROOF PROFILE.

1.2.2 Fasten feet to crossbars. The distance from the end of the foot to the end of the crossbar must be



TOOLS

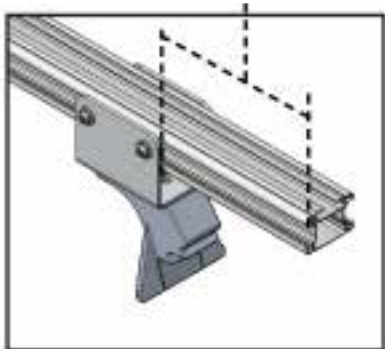
- Ratchet
- 3/16" Hex Bit Socket

HARDWARE USED

8x PER CROSSBAR (11 lbs • ft)

	#90-979 Hex Drive Bolt	5/8"
	#98-123 Lock Washer	5/16"
	#98-117 Flat Washer	5/16"
	#94-250 Channel Nut	5/16"

7-1/2"



PHASE 2 – INSTALL

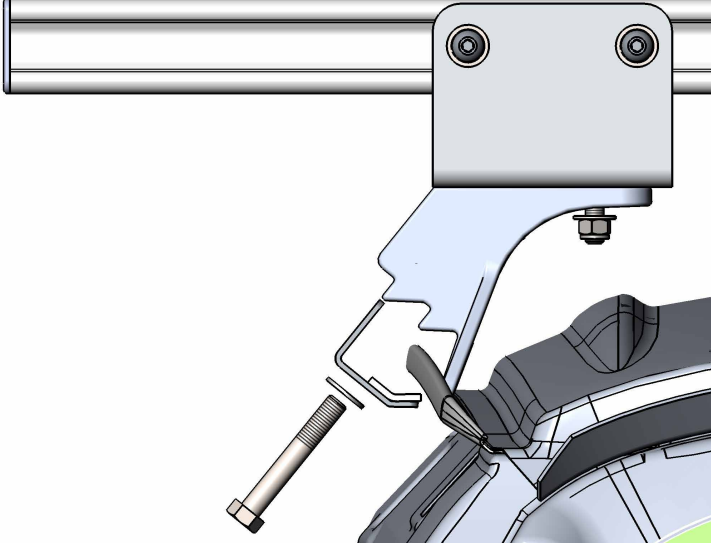
2.1 INSTALL

2.1.1 Fasten feet to the gutters.

NOTE: The 16-0001 Crossbar must be positioned at the rear, with the Ranger Logo facing the rear of the vehicle.

NOTE: This crossbar must be installed between the 16-UCD72 set of crossbars.

NOTE: Follow the appropriate Ladder Rack mechanism IG to install the crossbars in the correct position. The values may vary depending on Vehicle

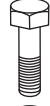







TOOLS

- ☐ Ratchet
- ☐ 9/16" Socket

FASTENERS USED

2x PER CROSSBAR (17 lbs • ft)

	#90-327 Hex Bolt 3/8" x 2-1/2"
	#98-109 Flat Washer
	#10-411 Gutter Clip
	#10-602 Rubber Mat
	#10-447 Feet
	#94-109 Lock Nut

2.1.2 Install caps.

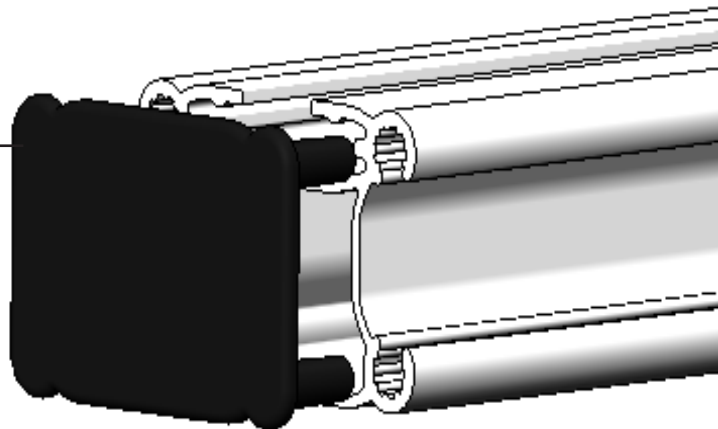
TOOLS

- ☐ Rubber Mallet

2x



18-198



“You have successfully installed your Crossbars, thank you for doing business with us.”

For any feedback or suggestions, you may have, please contact: cs@rangerdesign.com