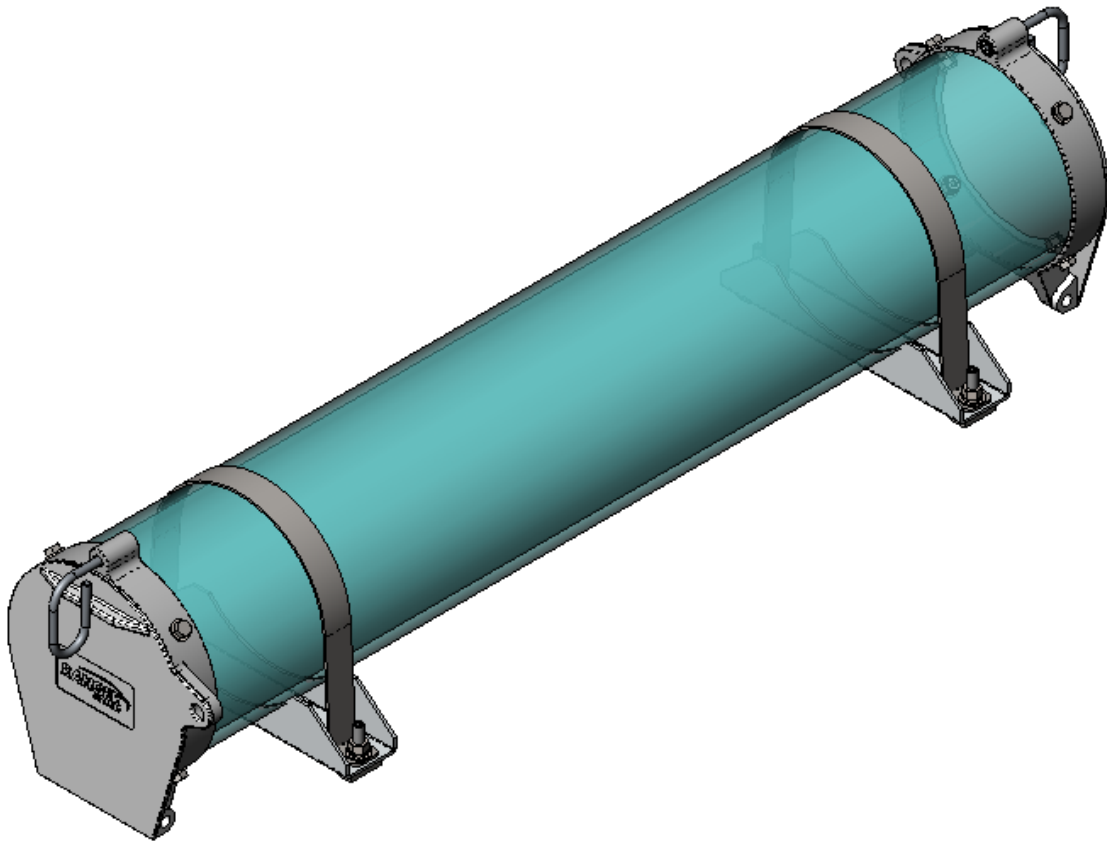


INSTALLATION GUIDE



16-U6079 TRANSPORT TUBE DOOR KIT

TUBE IS NOT INCLUDED IN THIS KIT



Scan the QR for the latest Install-Guide.

RANGER
DESIGN



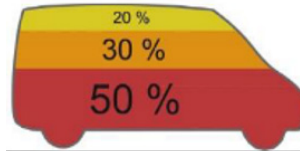
BEFORE YOU BEGIN

READ, UNDERSTAND, AND FOLLOW ALL WARNINGS AND INSTRUCTIONS BEFORE USING THIS PRODUCT. FAILURE TO FOLLOW THESE DIRECTIONS MAY RESULT IN PROPERTY DAMAGE, SERIOUS BODILY INJURY, AND/OR DEATH. RANGER DESIGN IS NOT RESPONSIBLE FOR ANY PROPERTY DAMAGE, PERSONAL INJURY, OR DEATH THAT OCCURRED WHILE USING ANY RANGER DESIGN PRODUCTS.



WARNING

- Failure to use Ranger Design-provided fasteners, brackets, and proper installation guidelines could increase risk of serious personal injury and/or death.
- If drilling is required to complete this installation: improper drilling can cause property damage to vehicles and could lead to electric shock, fire, or even death.
- If drilling is required to complete this installation: Ensure that drilling is only performed on areas of the vehicle allowed by the vehicle's Original Equipment Manufacturer's Body Builders Layout Book (or equivalent document).
- Prior to installation, inspect the vehicle to ensure that installation will not interfere with, or cause obstruction of, any critical components such as electrical wiring, fuel tanks, fuel-cells, locks, latches, etc.
- The installer or manufacturer is responsible for ensuring anchorages are installed onto suitable wall and floor structures; wall and floor strength must meet applicable performance requirements.
- Do not install systems into any weak or unsound materials such as plastics, woods, thin-walled metals, etc. without proper reinforcement.
- Do not install this product where it could interfere with the deployment of airbags. Failure to comply could result in death or serious injury.
- Do not install this product where it could ingress on the Transit Occupant Protection Zone. Failure to comply could result in death or serious injury.
- Incorrect installation could cause water leaks, electric shock or fire.
- Any cargo vehicle with any cargo or equipment should use a certified partition. See Ranger Design website for some partition options. (<https://rangerdesign.com/>)
- Mountings rails are recommended for any attachment to the vehicle walls.
- All items in the cargo area should be properly secured and partition doors closed while the vehicle is in motion.
- Check your vehicle's tare weight and remaining load capacity with all the equipment installed. Never exceed the maximum Gross Vehicle Weight Rating (GVWR), Gross Axle Weight Ratings (GAWRs), or other maximum loads permitted by the vehicle's Original Equipment Manufacturer (OEM) and required by law.
- The heaviest items must be placed towards the bottom of the vehicle, while the lightest ones can be arranged upwards. Vehicle cargo loading weight proportion should follow the following guidelines:



- The final alterer and/ or modifier should review the warning sheet with the customer before the vehicle is released to the customer or for general use. These instructions should remain with the vehicles a all times.
- Any modification or unintended use of this product voids any warranty and could create a hazardous condition.
- Ranger Design provides recommended assembly and installation instructions which should be followed to ensure correct operation. Failure to do so could result in invalidating the product's compliance, warranty and cause injury. Notwithstanding, the final stage vehicle alterer and/or modifier is responsible for the integration, installation, and compliance of the product in its final location to all applicable regulations and standards. Failure to maintain compliance of the vehicle to applicable regulations and standards could be punishable by law. Alterers and/or modifiers should consult with all local authorities prior to commissioning.



CAUTION

- Drilling is required to complete this installation. Before drilling, ensure that you will not hit any critical parts of the vehicle like the gas tank, wiring harness, or hose. Consult the vehicle OEM documentation as necessary. When drilling, use a drill collar to reduce the risk of damage to the vehicle.
- Any materials, padding, or glazing installed in the vehicle must comply with FMVSS/CMVSS 201/205/302, as applicable.
- In the event of a motor vehicle accident or collision where a Ranger system has been installed, especially ones where the vehicle structure is damaged and/or the air bags deploy and/or the vehicle has been towed, the system must be inspected to ensure continued soundness and safety before returning the vehicle to service. Damaged components should be replaced as necessary.
- All system components should be regularly inspected, cleaned, and maintained pursuant to Ranger guidelines.

QUICK START GUIDE

Phase 1 - Assembly

- 1.1.1 SETUP (VERIFY ALL PARTS ARE PRESENT)..... 4
- 1.2.1 ASSEMBLY..... 5

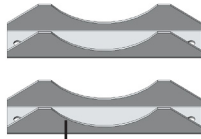
Phase 2 - Install

- 2.1 INSTALL..... 6

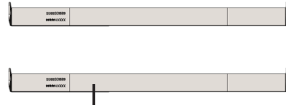
PHASE 1 – ASSEMBLY

1.1 SETUP

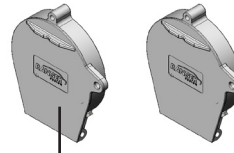
1.1.1 Verify all parts are present.



70-308



70-309



70-307



70-3112

BILL OF MATERIALS

Item No.	Description	Qty.
70-307	DOOR	2
70-308	CRADLE, TRANSPORT TUBE	2
70-309	STRAP, TRANSPORT TUBE	2
70-3112	P HANDLE AND SPRING	2
94-6079	CUSTOMER ASSEMBLY FASTENER KIT	1
96-6079	CUSTOMER INSTALL FASTENER KIT	1

94-6079



Fastener Assembly

8x



90-115

Hex Bolt
1/4"-20 x 1"
SS304

2x



#98-113 Flat Washer 1/4"
#94-107 Lock Nut 1/4"

10x



94-107

Lock Nut
1/4"
SS304 WAX

8x



#90-115 Hex Bolt 1"
#98-113 Flat Washer 1/4"
#98-113 Flat Washer 1/4"
#94-107 Lock Nut 1/4"

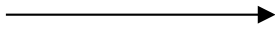
18x




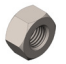
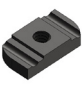


98-113

Flat Washer
1/4"
SS18-8





96-6079



Fastener Assembly

- 4x  # 90-015 Socket Set Screw
5/16"-18 x 1-1/2"
- 4x  # 94-105 Hex Nut
5/16"
SS316 WAX
- 4x  # 94-250 Channel Nut
5/16"
- 4x  # 98-117 Flat Washer
5/16" OD, 3/4"
SS18-8
- 4x  # 98-123 Lock Washer
5/16"
SS304

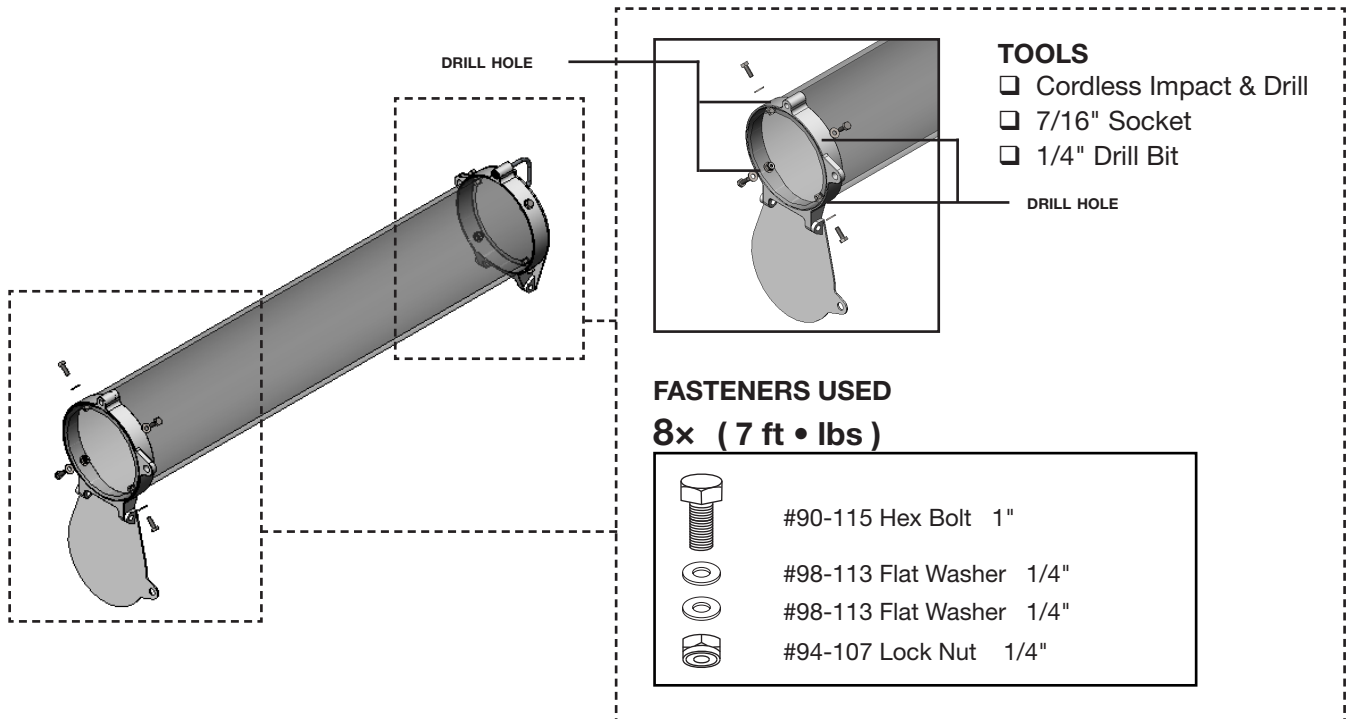
4x

	#94-105 Hex Nut 5/16"
	#98-123 Lock Washer 5/16"
	#98-117 Flat Washer 5/16"
	#90-015 Socket Set Screw
	#94-250 Channel Nut 5/16"

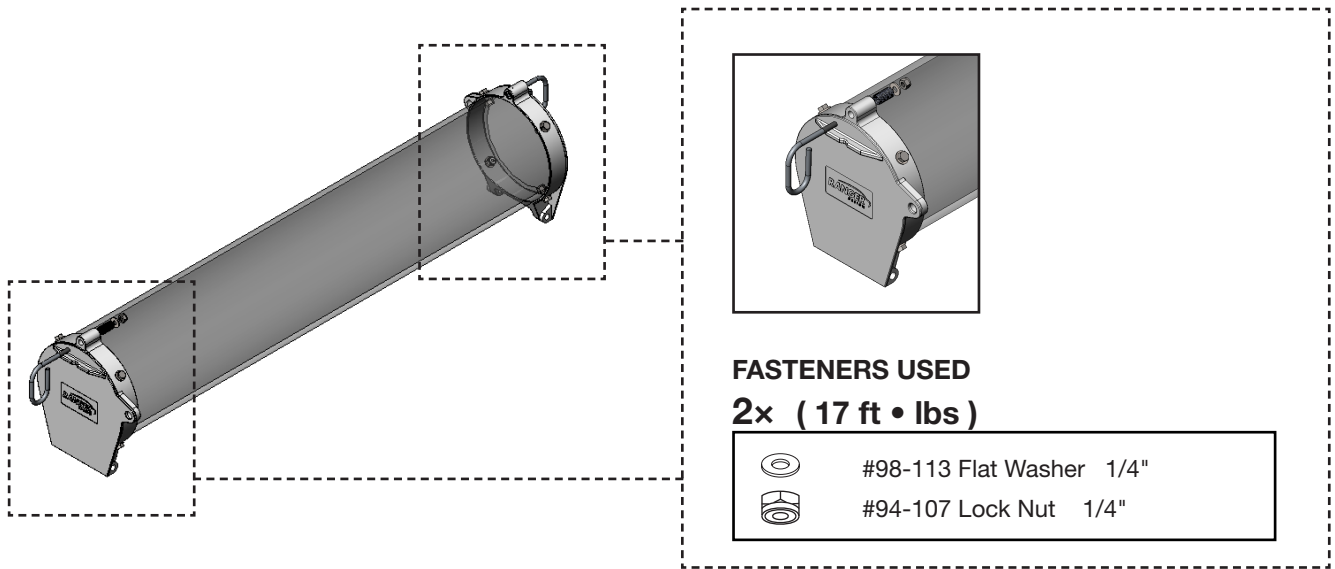
PHASE 1 – ASSEMBLY

1.2 ASSEMBLY

- 1.2.1**
- Slide the door to the tube, then drill 4 holes to the door through the tube.
 - Add silicone around the holes, then bolt the door and the tube together.
 - Repeat steps for the other side.



1.2.2 Attach the P handle and spring to each door.

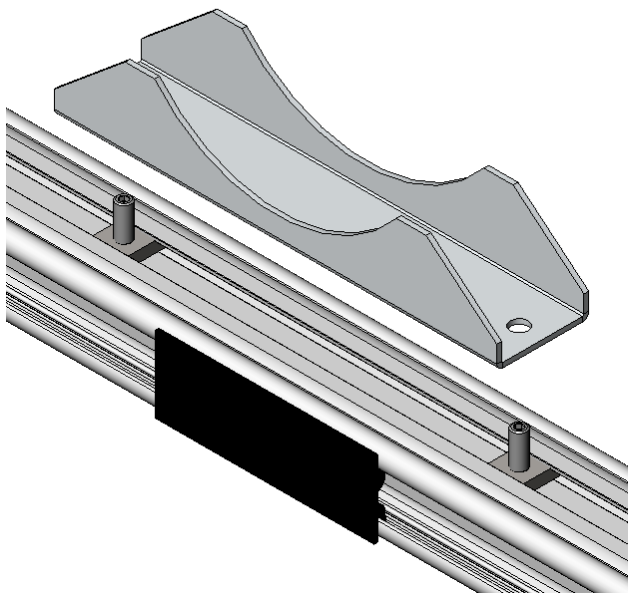


PHASE 2 – INSTALL

2.1 INSTALL

- 2.1.1 • Put 2 channel nuts on the top of the crossbar.
• Attach socket set screw to the channel nut, then add the transport tube cradle on top.

NOTE: Crossbars are not included in the kit.

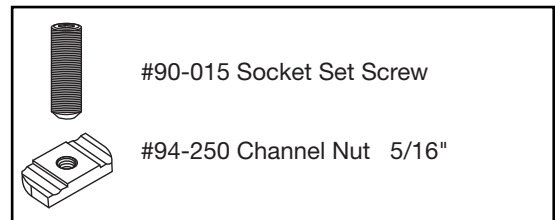


TOOLS

- Allen Key 5/32"

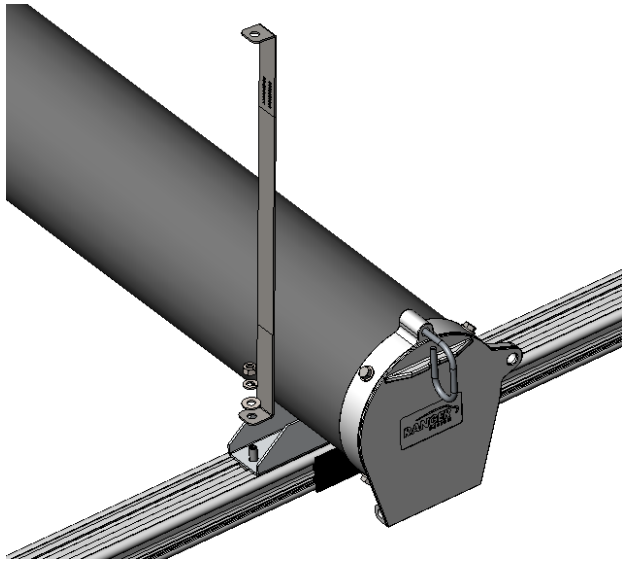
FASTENERS USED

4x



2.1.2 Place the transport tube on to the transport tube cradle, then attach one end of the transport tube strap to the transport tube cradle using the socket set screw.

NOTE: Tube is not included in the kit.





TOOLS

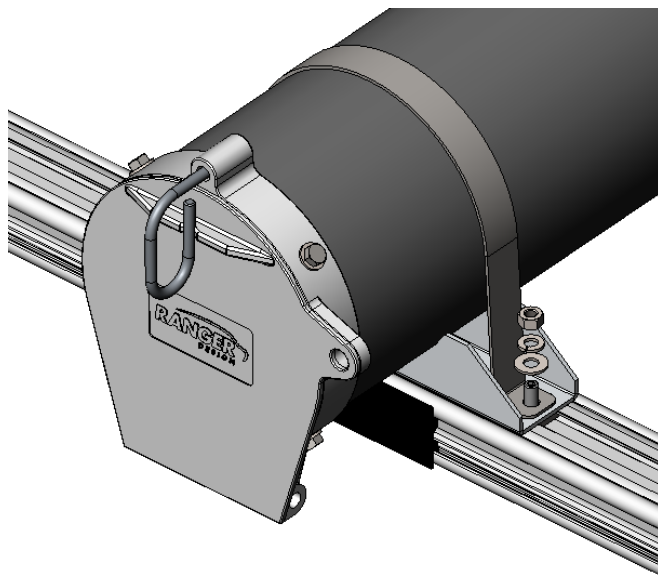
- Ratchet
- 1/2" Socket

FASTENERS USED

2x (17 ft • lbs)

	#94-105 Hex Nut 5/16"
	#98-123 Lock Washer 5/16"
	#98-117 Flat Washer 5/16"
	#90-015 Socket Set Screw
	#94-250 Channel Nut 5/16"

1.2.5 Bend the transport tube strap around the transport tube, then attach the other end of the transport tube strap to the transport tube cradle using the socket set screw.



TOOLS

- Ratchet
- 1/2" Socket

FASTENERS USED

2x (17 ft • lbs)





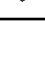
	#94-105 Hex Nut 5/16"
	#98-123 Lock Washer 5/16"
	#98-117 Flat Washer 5/16"
	#90-015 Socket Set Screw
	#94-250 Channel Nut 5/16"

Image below shows a clamp rack with transport tube.



“Thank you for doing business with us.”

For any feedback or suggestions you might have, please contact: cs@rangerdesign.com

