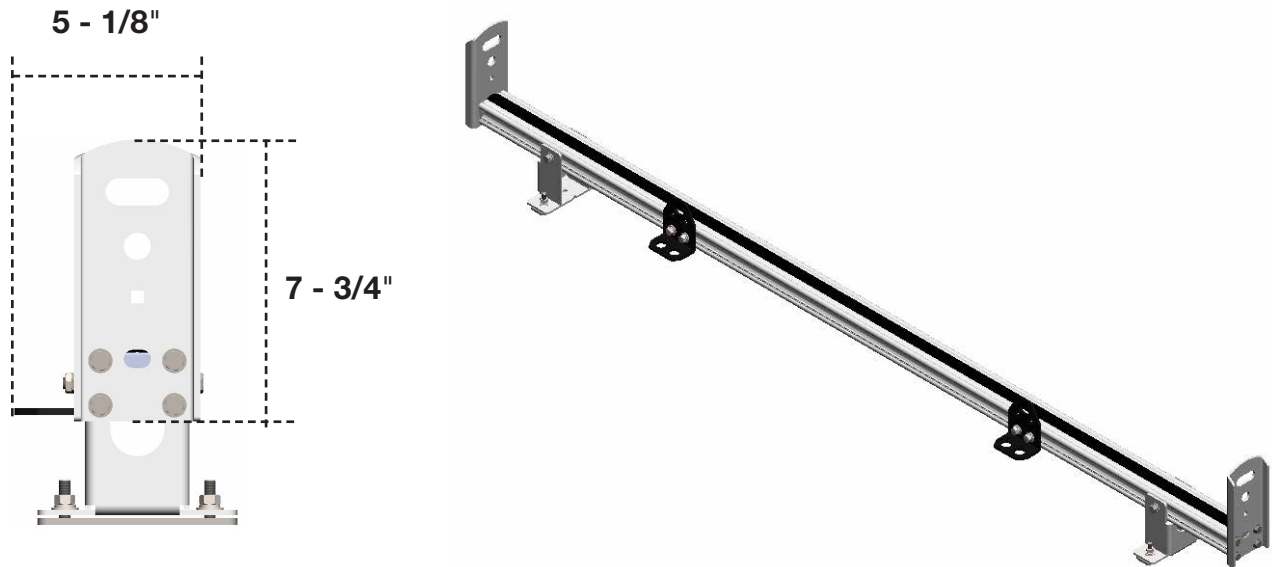
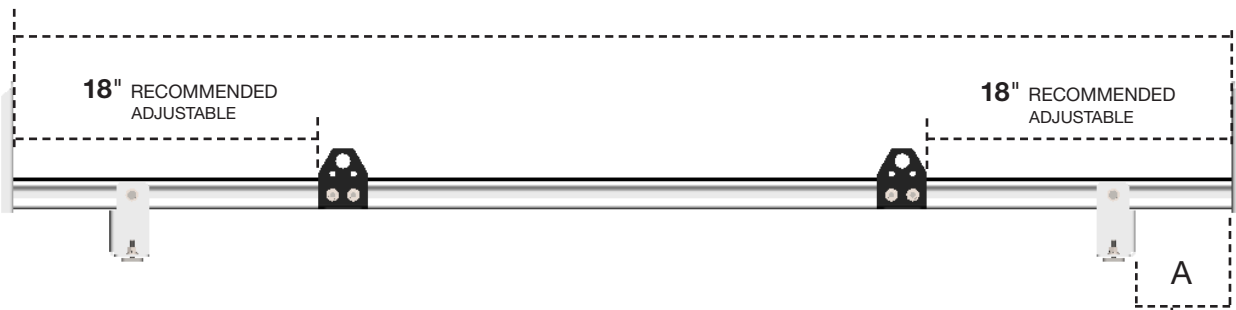


INSTALLATION GUIDE



CROSSBAR LENGTH



FOOT PLACEMENT GUIDE	
VEHICLE	DIMENSION (A)
NISSAN NV	5 - 3/4"
SPRINTER	8 - 3/4" HR, 5 - 1/4" LF
TRANSIT	7 - 7/16"
PROMASTER	5 - 1/2"

CROSSBAR LENGTH: 72" using 16-UCD72

FOOT PLACEMENT GUIDE	
VEHICLE	DIMENSION (A)
METRIS	4 - 5/8"
PROMASTER CITY	8 - 5/8"
TRANSIT CONNECT	8 - 1/4"
NV200	10 - 3/4"

CROSSBAR LENGTH: 66" using 16-UCD66

16-U0005 CARGO RACK KIT - SINGLE CROSSBAR

Crossbar not included in the Kit



Scan the QR for the latest Install-Guide.





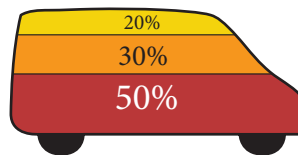
BEFORE YOU BEGIN

READ, UNDERSTAND, AND FOLLOW ALL WARNINGS AND INSTRUCTIONS BEFORE USING THIS PRODUCT. FAILURE TO FOLLOW THESE DIRECTIONS MAY RESULT IN PROPERTY DAMAGE, SERIOUS BODILY INJURY, AND/OR DEATH. RANGER DESIGN IS NOT RESPONSIBLE FOR ANY PROPERTY DAMAGE, PERSONAL INJURY, OR DEATH THAT OCCURRED WHILE USING ANY RANGER DESIGN PRODUCTS.



WARNING

- Failure to use Ranger Design-provided fasteners, brackets, and proper installation guidelines could increase risk of serious personal injury and/or death.
- If drilling is required to complete this installation: improper drilling can cause property damage to vehicles and could lead to electric shock, fire, or even death.
- If drilling is required to complete this installation: Ensure that drilling is only performed on areas of the vehicle allowed by the vehicle's Original Equipment Manufacturer's Body Builders Layout Book (or equivalent document).
- Prior to installation, inspect the vehicle to ensure that installation will not interfere with, or cause obstruction of, any critical components such as electrical wiring, fuel tanks, fuel-cells, locks, latches, etc.
- The installer or manufacturer is responsible for ensuring anchorages are installed onto suitable wall and floor structures; wall and floor strength must meet applicable performance requirements.
- Do not install systems into any weak or unsound materials such as plastics, woods, thin-walled metals, etc. without proper reinforcement.
- Do not install this product where it could interfere with the deployment of airbags. Failure to comply could result in death or serious injury.
- Incorrect installation could cause water leaks, electric shock or fire.
- Any cargo vehicle with any cargo or equipment should use a certified partition. See Ranger Design website for some partition options. (<https://rangerdesign.com/>)
- Mountings rails are recommended for any attachment to the vehicle walls.
- All items in the cargo area should be properly secured and partition doors closed while the vehicle is in motion.
- Check your vehicle's tare weight and remaining load capacity with all the equipment installed. Never exceed the maximum Gross Vehicle Weight Rating (GVWR), Gross Axle Weight Ratings (GAWRs), or other maximum loads permitted by the vehicle's Original Equipment Manufacturer (OEM) and required by law.
- The heaviest items must be placed towards the bottom of the vehicle, while the lightest ones can be arranged upwards. Vehicle cargo loading weight proportion should follow the following guidelines:



- The final alterer and/ or modifier should review the warning sheet with the customer before the vehicle is released to the customer or for general use. These instructions should remain with the vehicles a all times.
- Any modification or unintended use of this product voids any warranty and could create a hazardous condition.
- Ranger Design provides recommended assembly and installation instructions which should be followed to ensure correct operation. Failure to do so could result in invalidating the product's compliance, warranty and cause injury. Notwithstanding, the final stage vehicle alterer and/or modifier is responsible for the integration, installation, and compliance of the product in its final location to all applicable regulations and standards. Failure to maintain compliance of the vehicle to applicable regulations and standards could be punishable by law. Alterers and/or modifiers should consult with all local authorities prior to commissioning.



CAUTION

- If drilling is required to complete this installation. Before drilling, ensure that you will not hit any critical parts of the vehicle like the gas tank, wiring harness, or hose. Consult the vehicle OEM documentation as necessary. When drilling, use a drill collar to reduce the risk of damage to the vehicle.
- Any materials, padding, or glazing installed in the vehicle must comply with FMVSS/CMVSS 201/205/302, as applicable.
- In the event of a motor vehicle accident or collision where a Ranger Design system has been installed, especially ones where the vehicle structure is damaged and/or the air bags deploy and/or the vehicle has been towed, the system must be inspected to ensure continued soundness and safety before returning the vehicle to service. Damaged components should be replaced as necessary.
- All system components should be regularly inspected, cleaned, and maintained pursuant to Ranger guidelines.

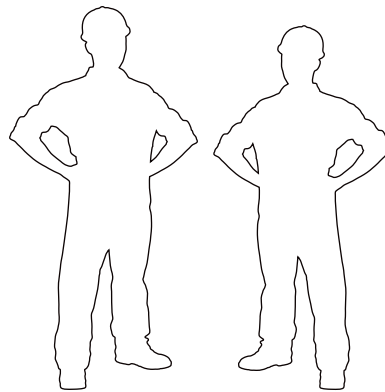
QUICK START GUIDE

Phase 1 - Assembly

<input type="checkbox"/> 1.1.1 SETUP (VERIFY ALL PARTS ARE PRESENT).....	4
<input type="checkbox"/> 1.2.1 ASSEMBLY (ATTACH TIE DOWNS, BRACKET - SIDE AND TRACK PLUG).....	7
<input type="checkbox"/> 1.2.2 ASSEMBLY (ATTACH CROSSBAR TO THE MOUNTING TRACK).....	8

REQUIRED ITEMS

- Cordless Impact
- Ratchet
- Tape Measure
- Marker
- Ladder
- 1/2" Wrench
- 1/2" Socket

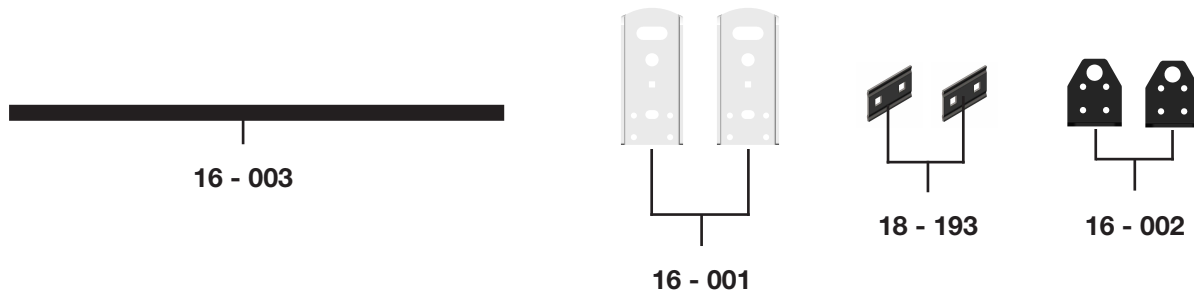


**2
PERSONS**

PHASE 1 – ASSEMBLY

1.1 SETUP

1.1.1 Verify all parts are present.



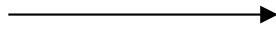
VERIFY ALL PARTS ARE PRESENT

Item No.	Description	Qty.
16-001	BRACKET - SIDE, CARGO	2
16-002	TIE DOWN	2
16-003	TRACK PLUG (72")	1
18-193	INSERT PLATE	2
96-4805	CUSTOMER INSTALL FASTENER KIT	1

VERIFY ALL PARTS ARE PRESENT

FASTENER BAGS.

96-4805



Fastener Assembly

8x



90-998

Hex Bolt
5/16" - 18 x 3/4"
SS304

4x



90-491

Carriage Bolt
5/16"-18 x 1"
SS304

4x



94-105

Hex Nut
5/16"
SS316 WAX

4x



98-117

Flat Washer
5/16" OD, 3/4"
SS18-8

4x



98-123

Lock Washer
5/16"
SS304

8x



#90-998 Hex Bolt 3/4"

4x



#90-491 Hex Bolt 1"



#98-123 Lock Washer



#98-117 Flat Washer



#94-105 Hex Nut

3 DIFFERENT WAYS TO ATTACH TIE DOWN.

RECOMENDED SETUP



FOR LADDER



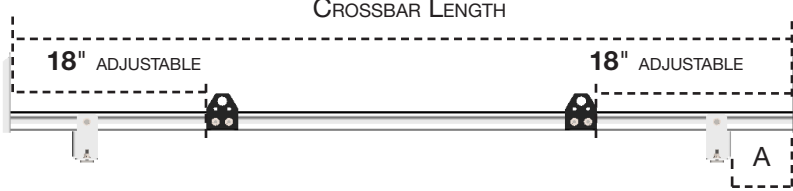
TOP FLUSHED



PHASE 1 – ASSEMBLY

1.2 ASSEMBLY

1.2.1 Attach tie downs, bracket - side, track plug and feet to the crossbar.



NOTE:

- Attach the track plug on top of the crossbar from end to end.
- Attach tie downs 1st followed by the feet and then the bracket - end.

FOOT PLACEMENT GUIDE	
VEHICLE	DIMENSION (A)
NISSAN NV	5 - 3/4"
SPRINTER	8 - 3/4" HR, 5 - 1/4" LF
TRANSIT	7 - 7/16"
PROMASTER	5 - 1/2"

FOOT PLACEMENT GUIDE	
VEHICLE	DIMENSION (A)
METRIS	4 - 5/8"
PROMASTER CITY	8 - 5/8"
TRANSIT CONNECT	8 - 1/4"
NV200	10 - 3/4"

CROSSBAR LENGTH: 72" using 16-UCD72

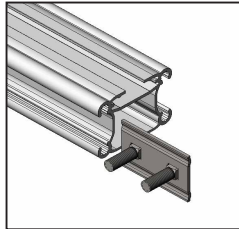
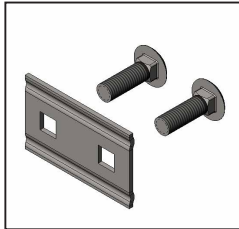
CROSSBAR LENGTH: 66" using 16-UCD66

TOOLS

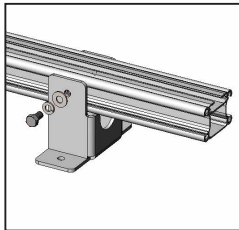
- Ratchet
- 1/2" Socket

FASTENERS USED

4x (11 lbs • ft)



- #90-491 Hex Bolt 1"
- #98-123 Lock Washer
- #98-117 Flat Washer
- #94-105 Hex Nut



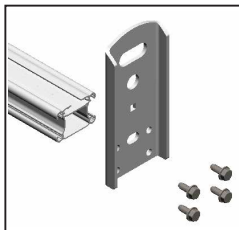
TOOLS

- Cordless Impact
- 1/2" Socket

FASTENERS USED

4x (CROSSBAR FASTENER KIT) (11 lbs • ft)

- #90-203 Hex Bolt 5/8"
- #98-123 Lock Washer 5/16"
- #98-117 Flat Washer 5/16"
- #94-250 Channel Nut 5/16"



TOOLS

- Cordless Impact
- 1/2" Socket

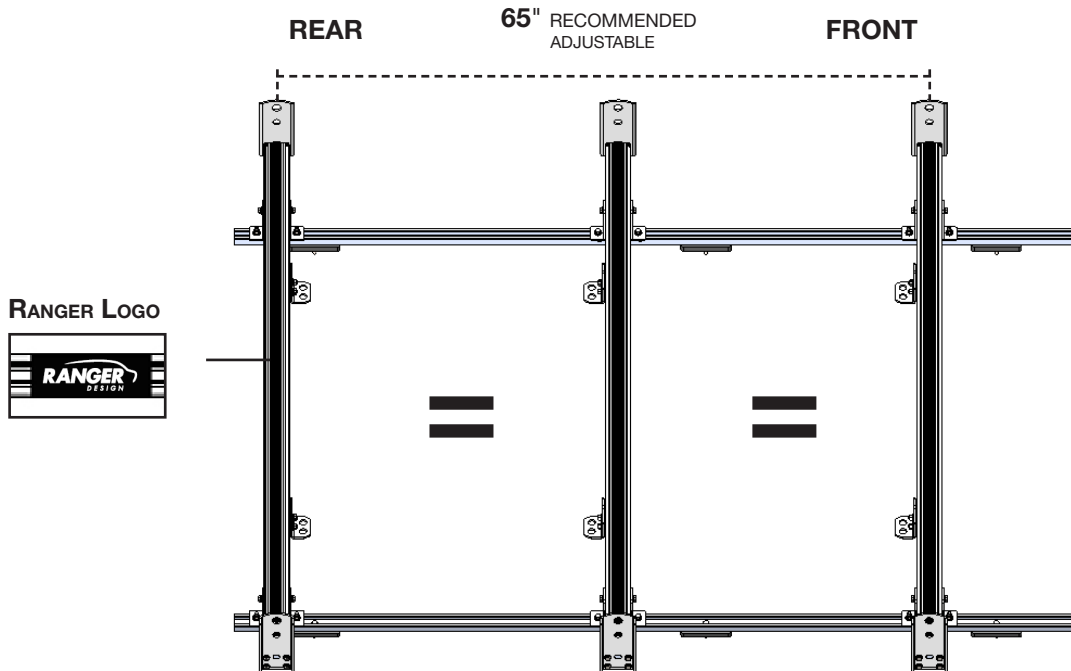
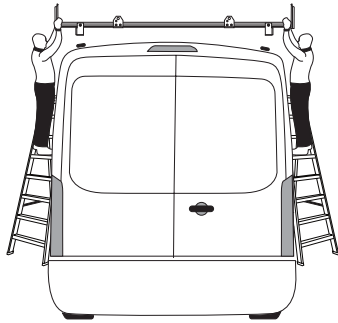
FASTENERS USED

8x (11 lbs • ft)

- #90-998 Hex Bolt 3/4"

1.2.2 Attach the crossbar to the mounting track.

NOTE: Place the crossbar w/ Ranger logo on the rear.



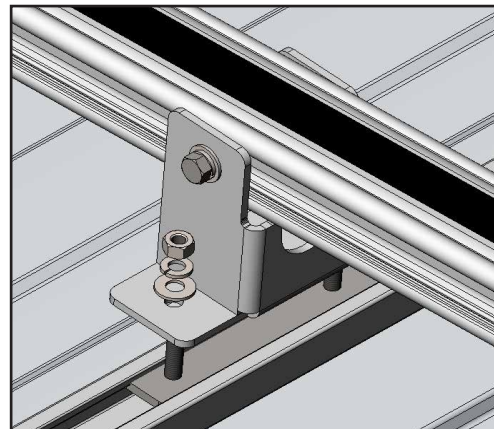
TOOLS

- Ratchet
- 1/2" Socket

FASTENERS USED

4x ONE CROSSBAR (11 lbs • ft)

- #94-105 Hex Nut
- #98-123 Lock Washer
- #98-117 Flat Washer



SAVANA CARGO RACK

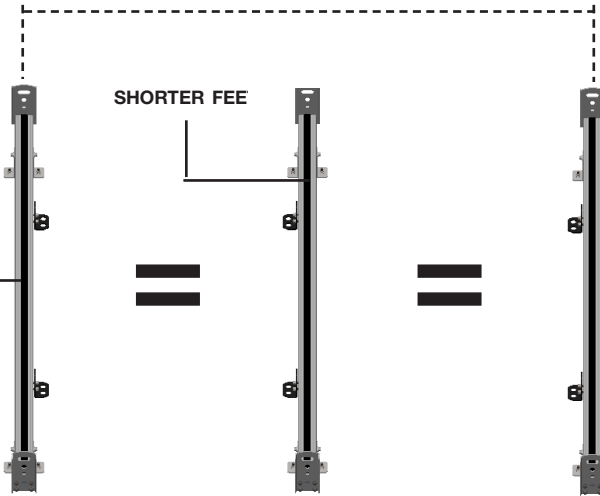
RANGER LOGO



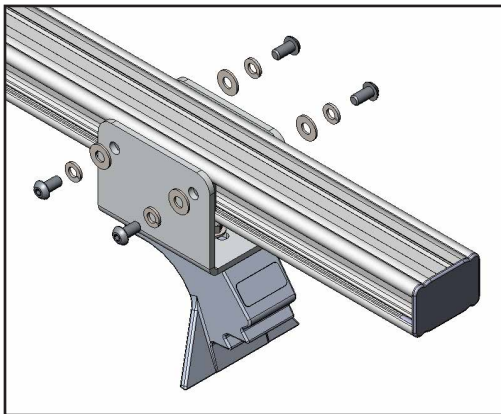
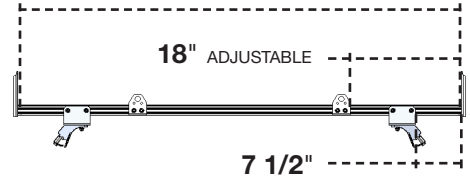
REAR

65" RECOMMENDED
ADJUSTABLE

FRONT



CROSSBAR 72"



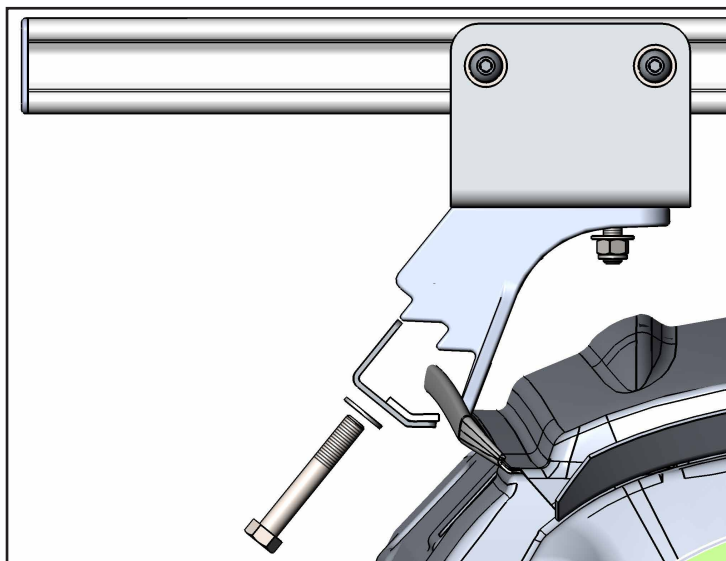
TOOLS

- Ratchet
- 3/16" Hex Bit Socket

FASTENERS USED

8X ONE CROSSBAR (11 lbs • ft)

- #90-979 Hex Drive Bolt 5/8"
- #98-123 Lock Washer 5/16"
- #98-117 Flat Washer 5/16"
- #94-250 Channel Nut 5/16"



TOOLS

- Ratchet
- 1/2" Socket

FASTENERS USED

2X PER CROSSBAR (17 ft • lbs)

- #90-327 Hex Bolt 3/8" x 2-1/2"
- #98-109 Flat Washer
- #10-411 Gutter Clip
- #10-602 Rubber Mat
- #10-447 Feet
- #94-109 Lock Nut

"You have successfully installed your Ladder Rack, thank you for doing business with us."

For any feedback or suggestions, you may have, please contact: cs@rangerdesign.com