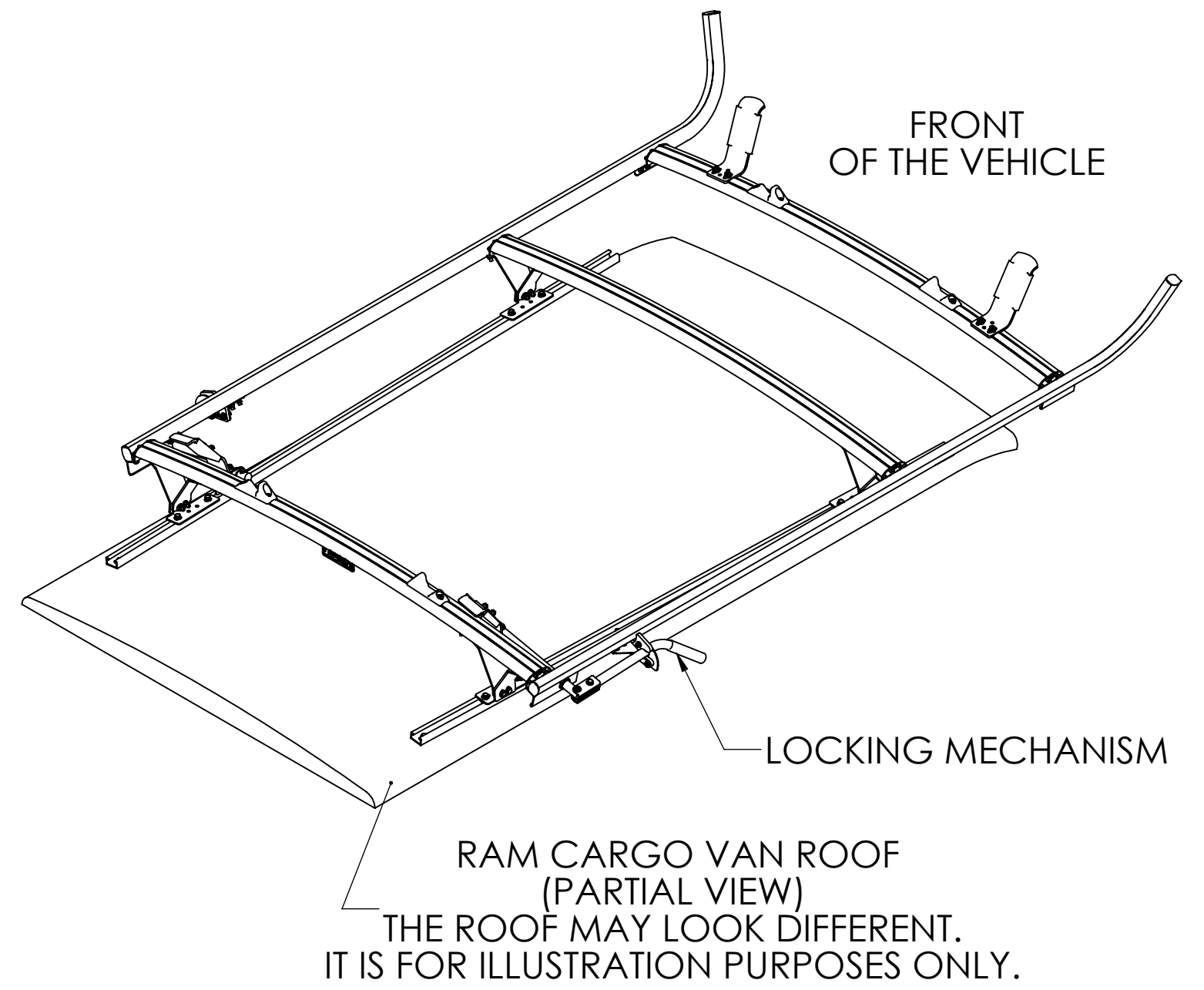
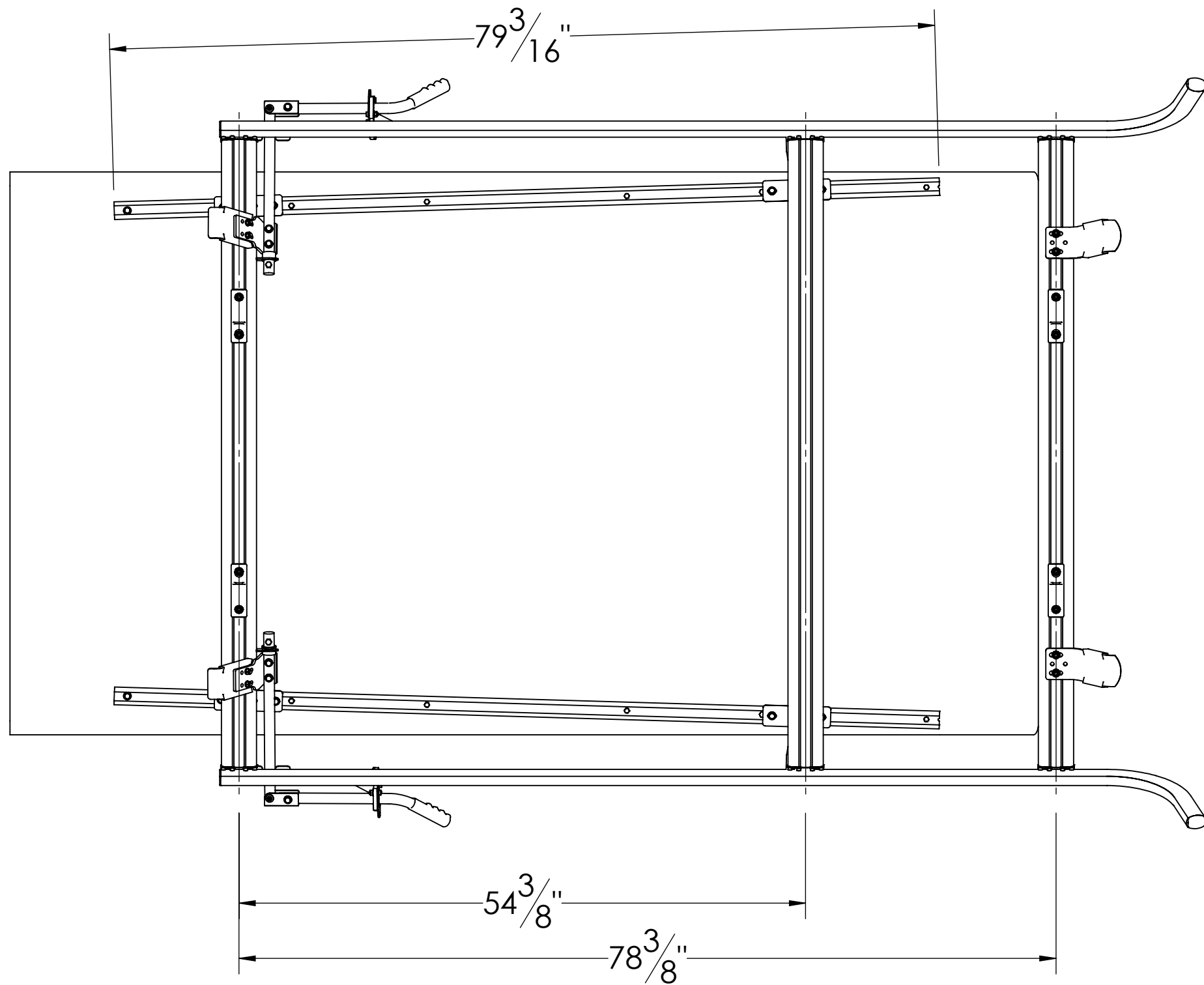
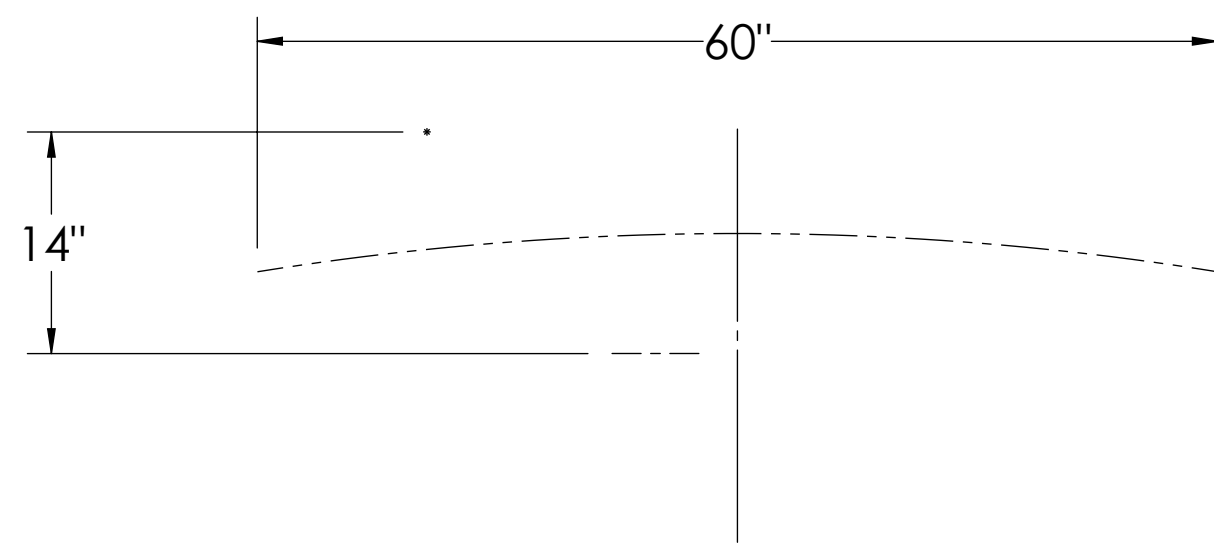


**1530-MX
DOUBLE CLAMP LADDER RACK
3 BARS for 28' LADDER, WHITE FINISH
for RAM CARGO VAN**



WARNING

- 1) - The rack must be adjusted to the ladder size to hold it in position.
- 2) - The locking mechanism must be adjusted to hold the ladder firmly.
- 3) - Do not overstress the mechanism adjustment on the ladder rung.

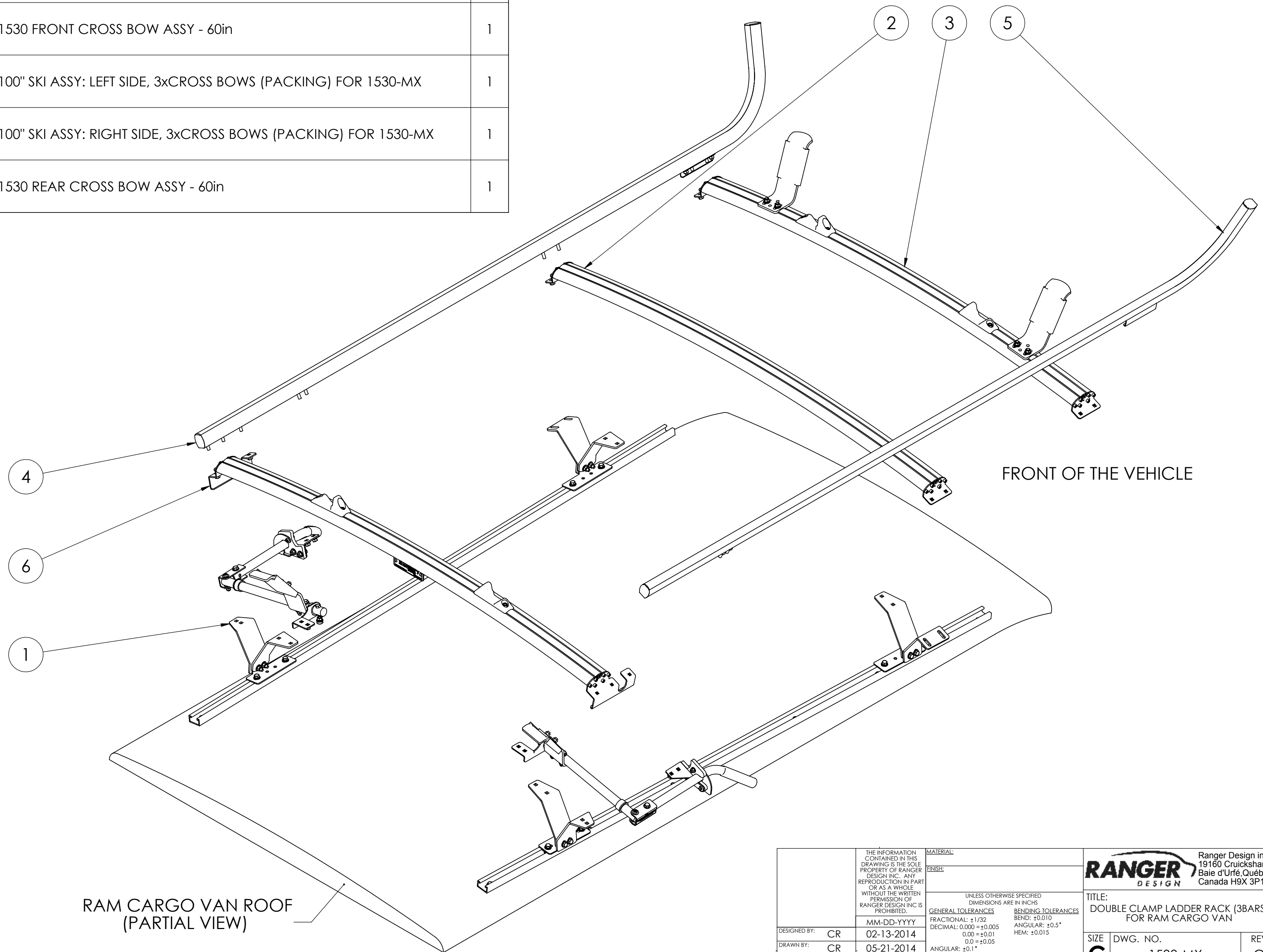


10"
RECOMMENDED
FROM THE WINDSHIELD

ZONE	REV	DESCRIPTION	DATE (MM-DD-YYYY)	BY
C		15-3053 REPLACED BY 15-3070; 15-3063 REPLACED BY 15-3071: ECN 1981 (SEE BOM TABLE)	12-09-2014	CR
REVISIONS				

<small>THE INFORMATION CONTAINED IN THIS DRAWING IS THE SOLE PROPERTY OF RANGER DESIGN INC. ANY REPRODUCTION IN PART OR AS A WHOLE WITHOUT THE WRITTEN PERMISSION OF RANGER DESIGN INC IS PROHIBITED.</small>		<small>MATERIAL:</small> <small>FINISH:</small>		<small>Ranger Design inc.</small> <small>19160 Cruickshank,</small> <small>Baie d'Urfé, Québec,</small> <small>Canada H9X 3P1</small>	
<small>DESIGNED BY:</small> CR <small>DRAWN BY:</small> CR <small>VERIFIED BY:</small> CR <small>APPROVED BY:</small> AP	<small>DATE:</small> 02-13-2014 05-21-2014 12-09-2014 12-10-2014	<small>UNLESS OTHERWISE SPECIFIED DIMENSIONS ARE IN INCHES</small> <small>GENERAL TOLERANCES</small> FRACTIONAL: ±1/32 DECIMAL: 0.000 = ±0.005 0.00 = ±0.01 0.0 = ±0.05 ANGULAR: ±0.1° HOLE DIAMETER: ±0.005 <small>BENDING TOLERANCES</small> BEND: ±0.010 ANGULAR: ±0.5° HEM: ±0.015		<small>TITLE:</small> DOUBLE CLAMP LADDER RACK (3BARS) FOR RAM CARGO VAN	
<small>SIZE</small> C	<small>DWG. NO.</small> 1530-MX	<small>REV</small> C	<small>WEIGHT:</small> 90.47	<small>SCALE:</small> 1:12	<small>SHEET</small> 1 OF 2

ITEM NO.	NUMBER	DESCRIPTION	QTY.
1	15-0001	MOUNTING FOR RAM CARGO VAN MX SERIES (PACKING)	1
2	15-2531	1525 THIRD CROSS BOW ASSY - 60in	1
3	15-3045	1530 FRONT CROSS BOW ASSY - 60in	1
4	15-3070	100" SKI ASSY: LEFT SIDE, 3xCROSS BOWS (PACKING) FOR 1530-MX	1
5	15-3071	100" SKI ASSY: RIGHT SIDE, 3xCROSS BOWS (PACKING) FOR 1530-MX	1
6	15-3091	1530 REAR CROSS BOW ASSY - 60in	1



RAM CARGO VAN ROOF
(PARTIAL VIEW)

FRONT OF THE VEHICLE

THE INFORMATION CONTAINED IN THIS DRAWING IS THE SOLE PROPERTY OF RANGER DESIGN INC. ANY REPRODUCTION IN PART OR AS A WHOLE WITHOUT THE WRITTEN PERMISSION OF RANGER DESIGN INC IS PROHIBITED.		MATERIAL: FINISH:		RANGER DESIGN Ranger Design inc. 19160 Cruickshank, Baie d'Urfé, Québec, Canada H9X 3P1
UNLESS OTHERWISE SPECIFIED DIMENSIONS ARE IN INCHES		GENERAL TOLERANCES FRACTIONAL: ±1/32 DECIMAL: 0.000 = ±0.005 0.00 = ±0.01 0.0 = ±0.05		
DESIGNED BY: CR DRAWN BY: CR VERIFIED BY: CR APPROVED BY: AP	02-13-2014 05-21-2014 12-09-2014 12-10-2014	BENDING TOLERANCES BEND: ±0.010 ANGULAR: ±0.5° HEM: ±0.015		SIZE DWG. NO. REV C 1530-MX C
THIRD ANGLE PROJECTION				WEIGHT: 90.47 SCALE: 1:8 SHEET 2 OF 2