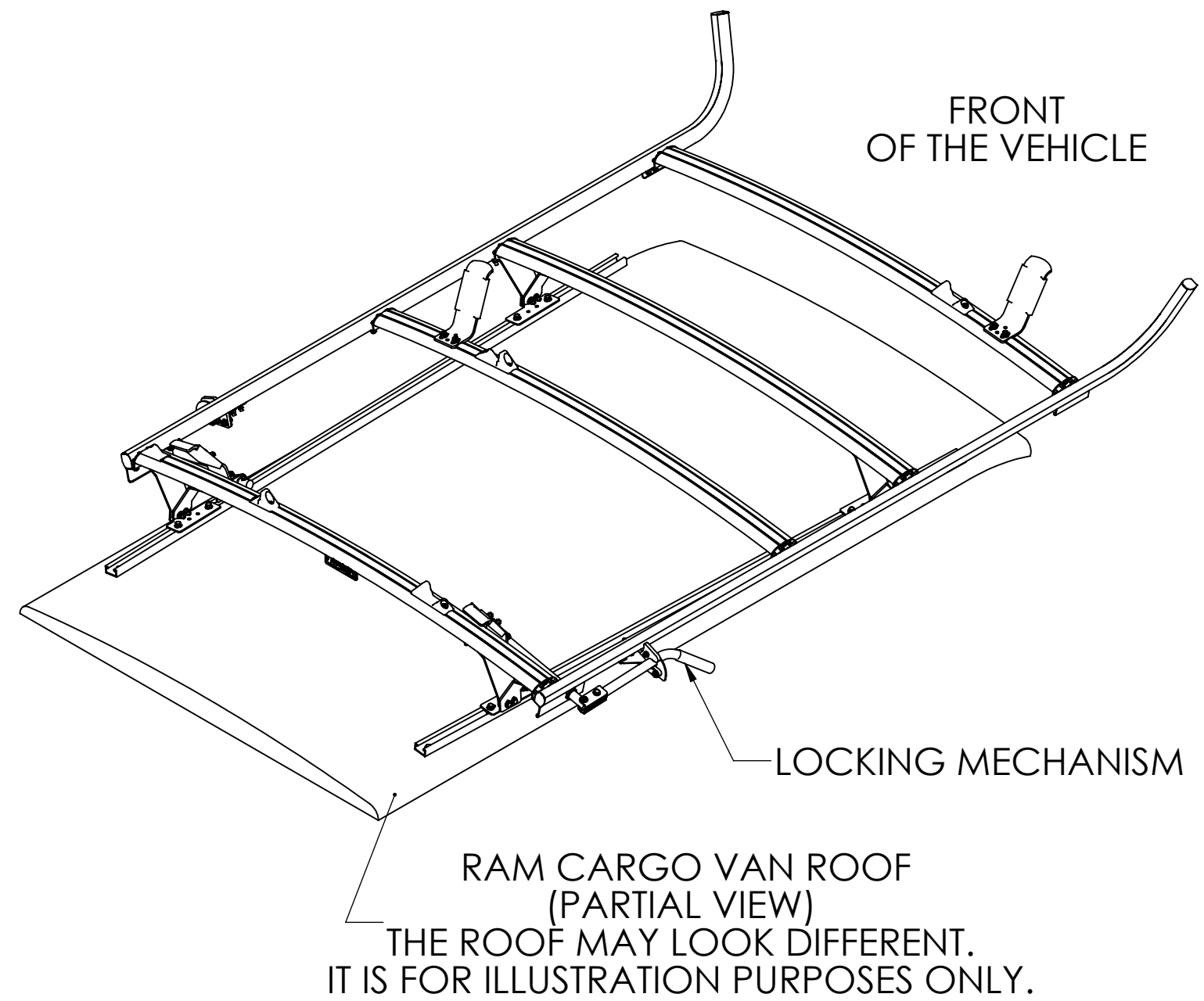
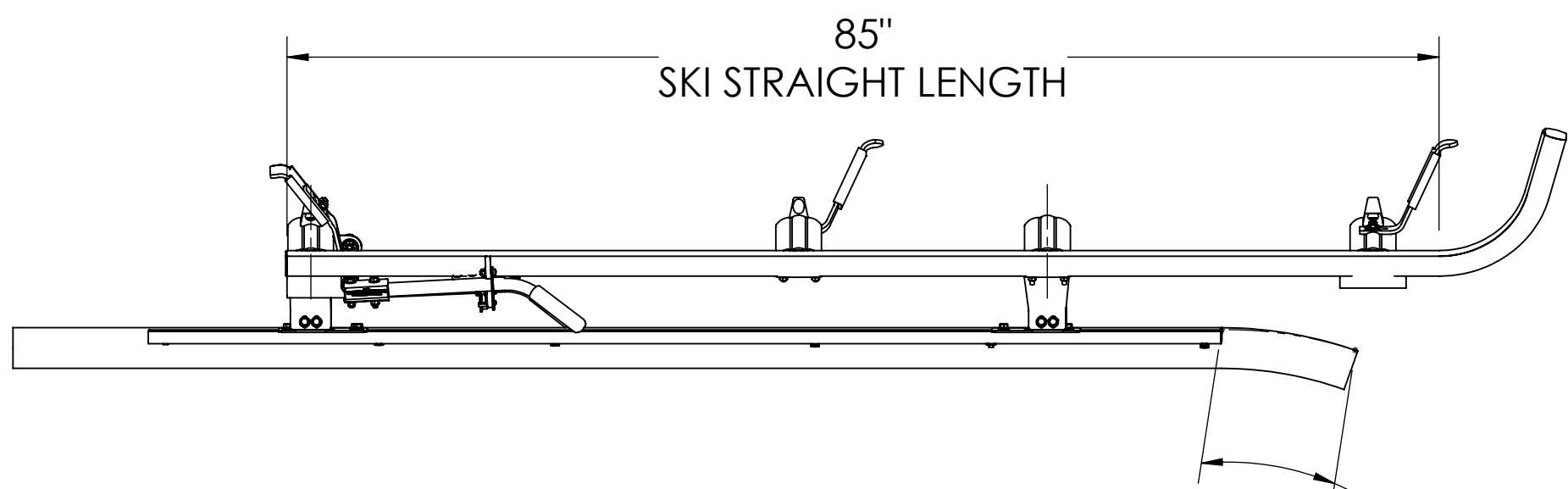
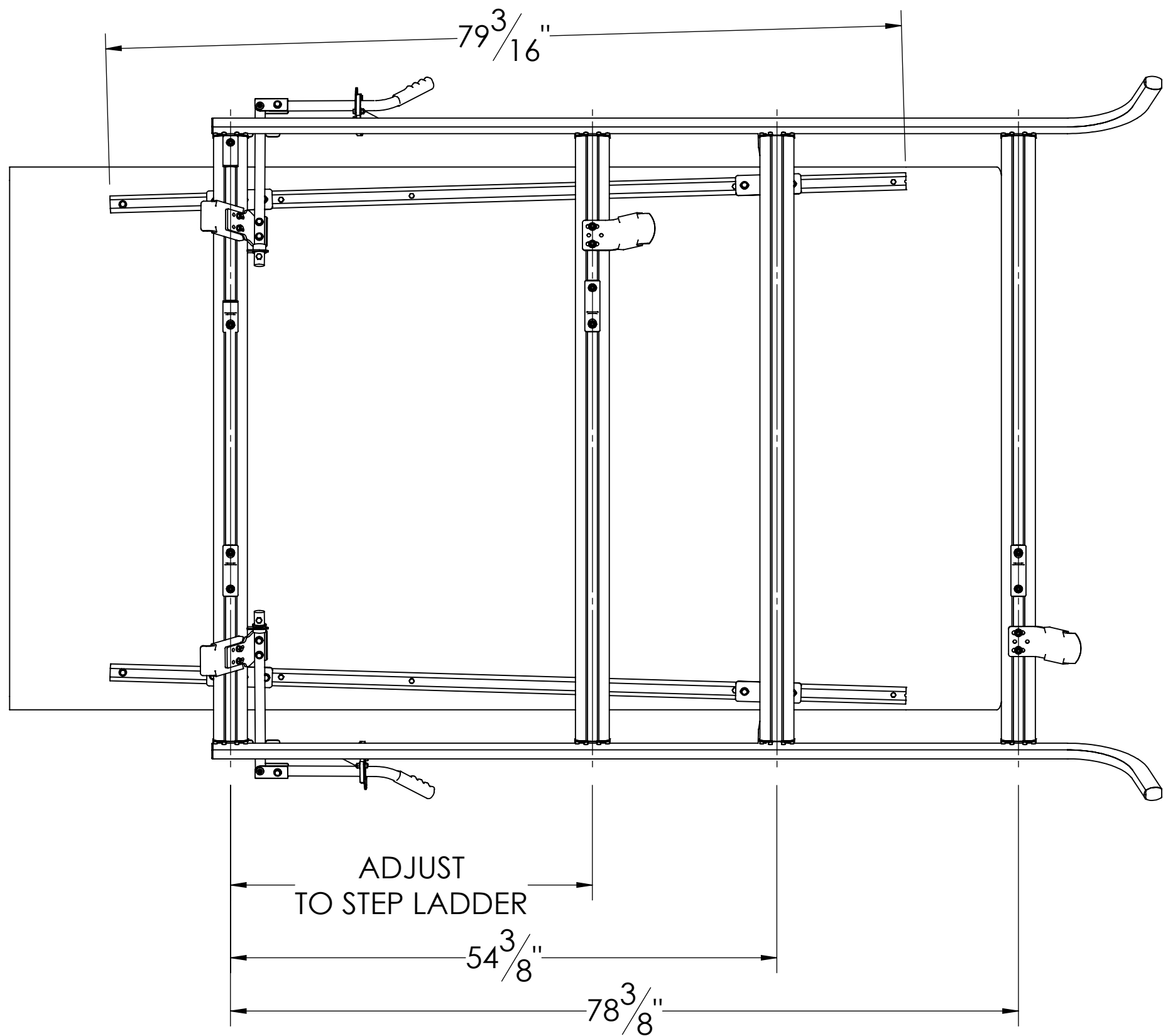
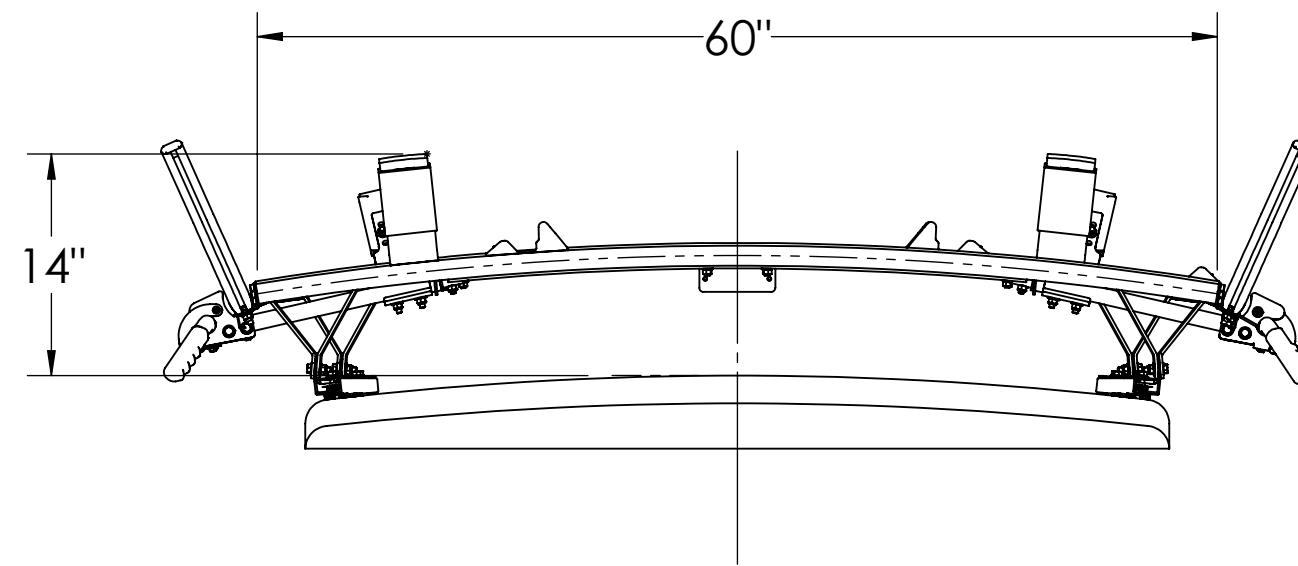


1525-MX COMBINATION LADDER RACK 3 BARS + 1 ADJUSTABLE BAR for 28' LADDER, WHITE FINISH for RAM CARGO VAN



WARNING

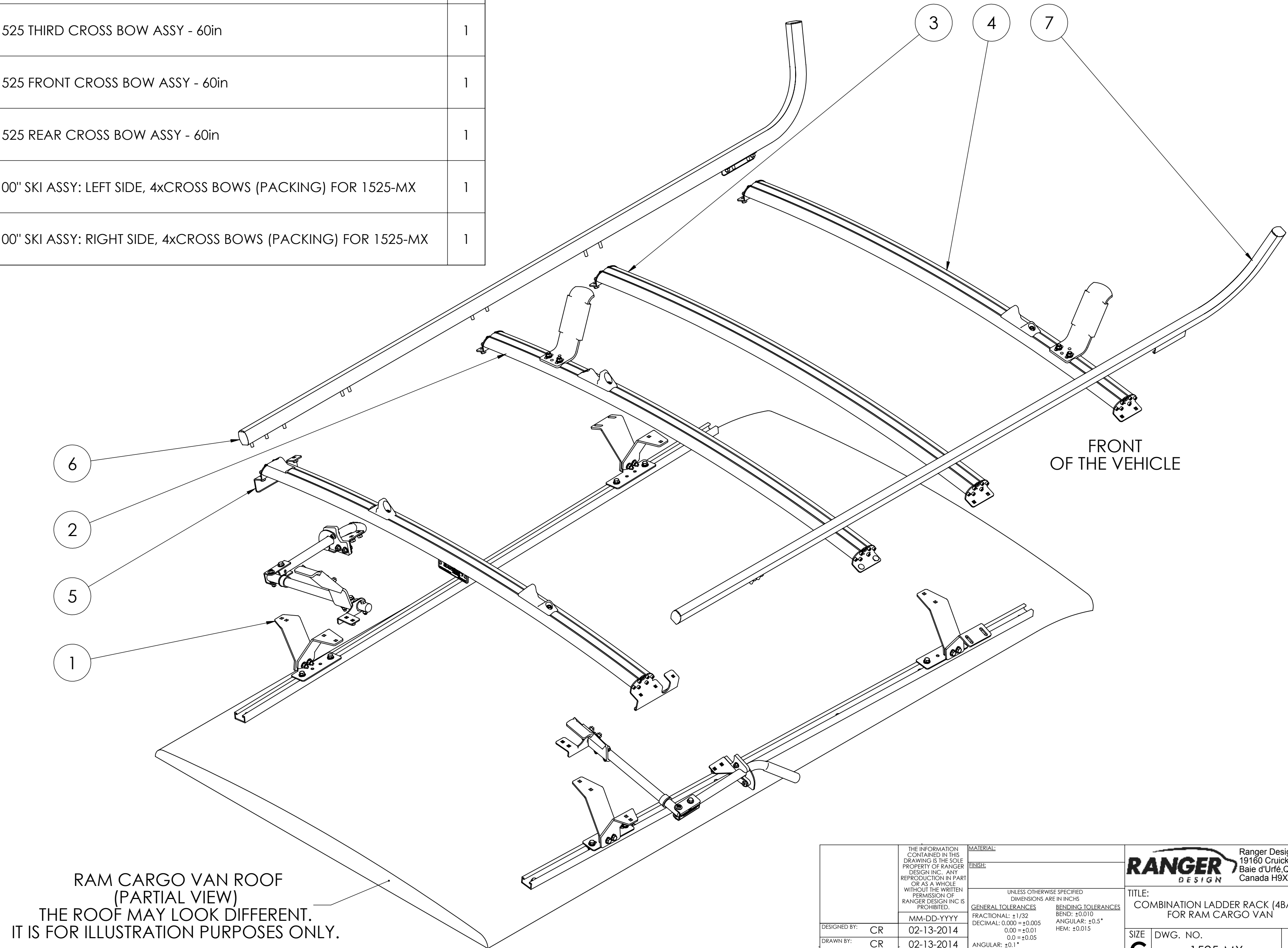
- 1) - The rack must be adjusted to the ladder size to hold it in position.
- 2) - The locking mechanism must be adjusted to hold the ladder firmly.
- 3) - Do not overstress the mechanism adjustment on the ladder rung.



ZONE	REV	DESCRIPTION	DATE (MM-DD-YYYY)	BY
C		15-3055 REPLACED BY 15-3059; 15-3065 REPLACED BY 15-3069; ECN 1981 (SEE BOM TABLE)	12-08-2014	CR
REVISIONS				

THE INFORMATION CONTAINED IN THIS DRAWING IS THE SOLE PROPERTY OF RANGER DESIGN INC. ANY REPRODUCTION IN PART OR AS A WHOLE WITHOUT THE WRITTEN PERMISSION OF RANGER DESIGN INC IS PROHIBITED. MM-DD-YYYY		MATERIAL: FINISH: UNLESS OTHERWISE SPECIFIED DIMENSIONS ARE IN INCHS GENERAL TOLERANCES FRACTIONAL: ±1/32 DECIMAL: 0.000 = ±0.005 0.00 = ±0.01 0.0 = ±0.05 ANGULAR: ±0.1° HOLE DIAMETER: ±0.005	BENDING TOLERANCES BEND: ±0.010 ANGULAR: ±0.5° HEM: ±0.015	RANGER DESIGN Ranger Design inc. 19160 Cruickshank, Baie d'Urfé, Québec, Canada H9X 3P1
DESIGNED BY: CR 02-13-2014 DRAWN BY: CR 02-13-2014 VERIFIED BY: CR 12-09-2014 APPROVED BY: AP 12-10-2014		TITLE: COMBINATION LADDER RACK (4BARS) FOR RAM CARGO VAN		SIZE DWG. NO. REV C 1525-MX C
THIRD ANGLE PROJECTION		WEIGHT: 98.16 SCALE: 1:12 SHEET 1 OF 2		

ITEM NO.	NUMBER	DESCRIPTION	QTY.
1	15-0001	MOUNTING FOR RAM CARGO VAN MX SERIES (PACKING)	1
2	15-2501	1525 ADJUSTABLE CROSS BOW ASSY - 60in	1
3	15-2531	1525 THIRD CROSS BOW ASSY - 60in	1
4	15-2555	1525 FRONT CROSS BOW ASSY - 60in	1
5	15-2561	1525 REAR CROSS BOW ASSY - 60in	1
6	15-3059	100" SKI ASSY: LEFT SIDE, 4xCROSS BOWS (PACKING) FOR 1525-MX	1
7	15-3069	100" SKI ASSY: RIGHT SIDE, 4xCROSS BOWS (PACKING) FOR 1525-MX	1



RAM CARGO VAN ROOF
(PARTIAL VIEW)
THE ROOF MAY LOOK DIFFERENT.
IT IS FOR ILLUSTRATION PURPOSES ONLY.

THE INFORMATION CONTAINED IN THIS DRAWING IS THE SOLE PROPERTY OF RANGER DESIGN INC. ANY REPRODUCTION IN PART OR AS A WHOLE WITHOUT THE WRITTEN PERMISSION OF RANGER DESIGN INC IS PROHIBITED.		MATERIAL: FINISH:			Ranger Design inc. 19160 Cruickshank, Baie d'Urfé, Québec, Canada H9X 3P1	
UNLESS OTHERWISE SPECIFIED DIMENSIONS ARE IN INCHES		GENERAL TOLERANCES FRACTIONAL: ±1/32 DECIMAL: 0.000 = ±0.005 0.00 = ±0.01 0.0 = ±0.05			BENDING TOLERANCES BEND: ±0.010 ANGULAR: ±0.5° HEM: ±0.015	
DESIGNED BY: CR DRAWN BY: CR VERIFIED BY: CR APPROVED BY: AP	02-13-2014 02-13-2014 12-09-2014 12-10-2014	THIRD ANGLE PROJECTION		TITLE: COMBINATION LADDER RACK (4BARS) FOR RAM CARGO VAN	SIZE: C DWG. NO.: 1525-MX WEIGHT: 98.16	REV: C SCALE: 1:8 SHEET 2 OF 2