

INSTALLATION GUIDE



1506-PHS Cargo Plus

RAM Promaster 118" Wheelbase

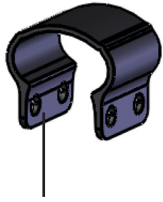


PHASE 1 – ASSEMBLY

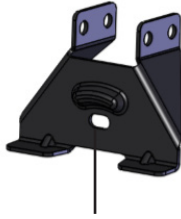
1.1 SETUP

1.1.2 Verify all parts are present.

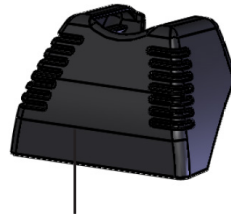
15-U4004 BOX



SADDLE EXTRUSION x6



FOOT x6



FOOT COWL x6



RUBBER SPACER x6



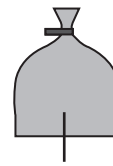
ROLLER SUPPORT "R" x1



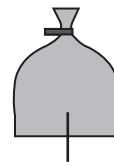
ROLLER SUPPORT "L" x1



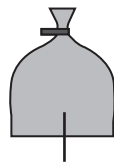
FOOT CLAMP x6



CFK - 1 x1

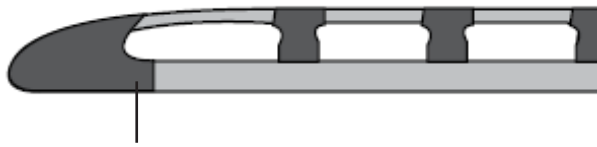


CFK - 2 x1

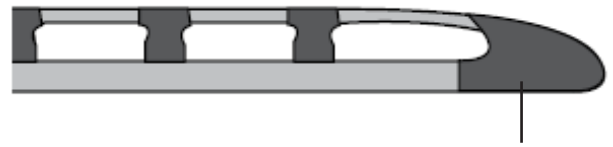


CFK - 3 x1

15-U1001 BOX



SIDE RAILS x2



SIDE RAILS x2

15-U3002 BOX



BAR x3



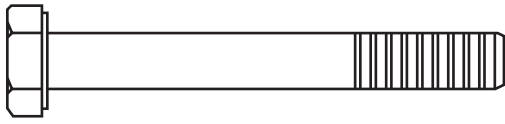
ROLLER x1

15-U2002 BOX



BAR x6

HARDWARE



(M8 x 65) x12



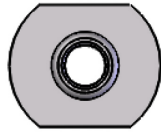
(M8 x 40) x6



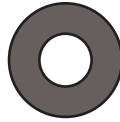
(M8) x28



(M8) x20



(M8) x22



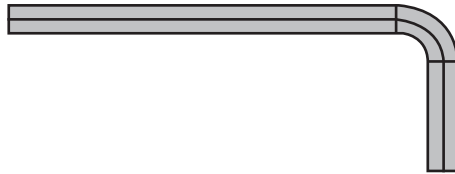
(M8) x24



(M8) x12

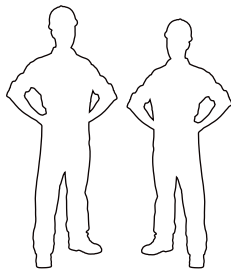


(M8) x6

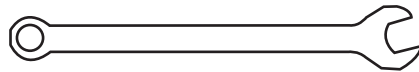


(M8) x1

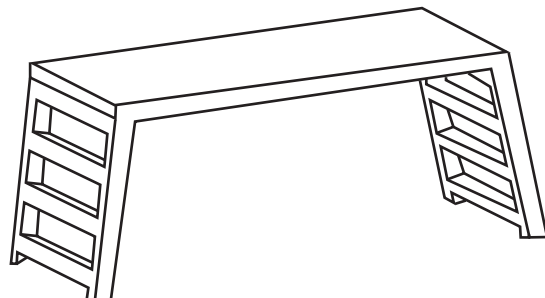
REQUIRED ITEMS



2
PERSONS



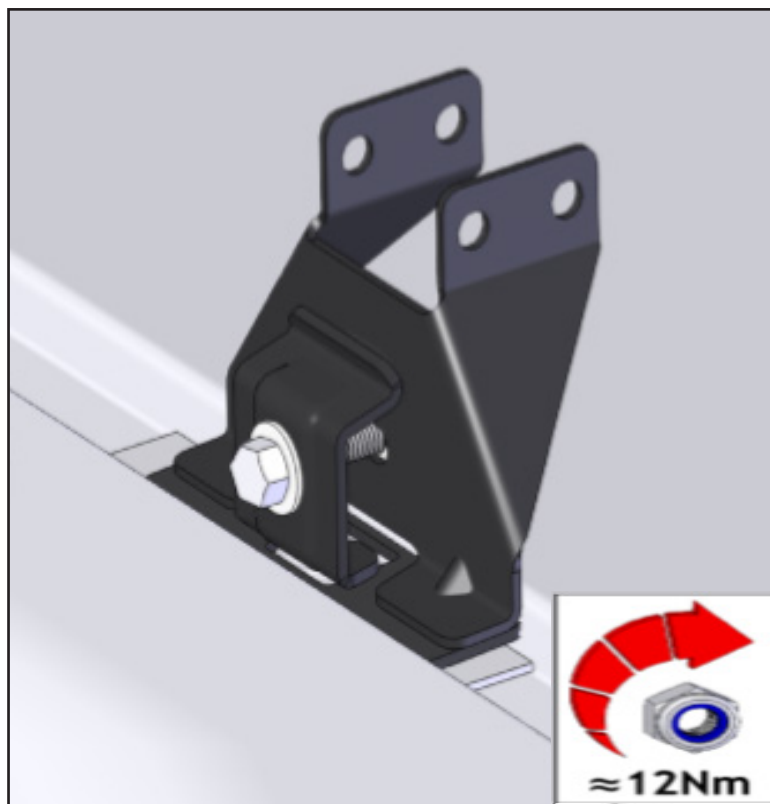
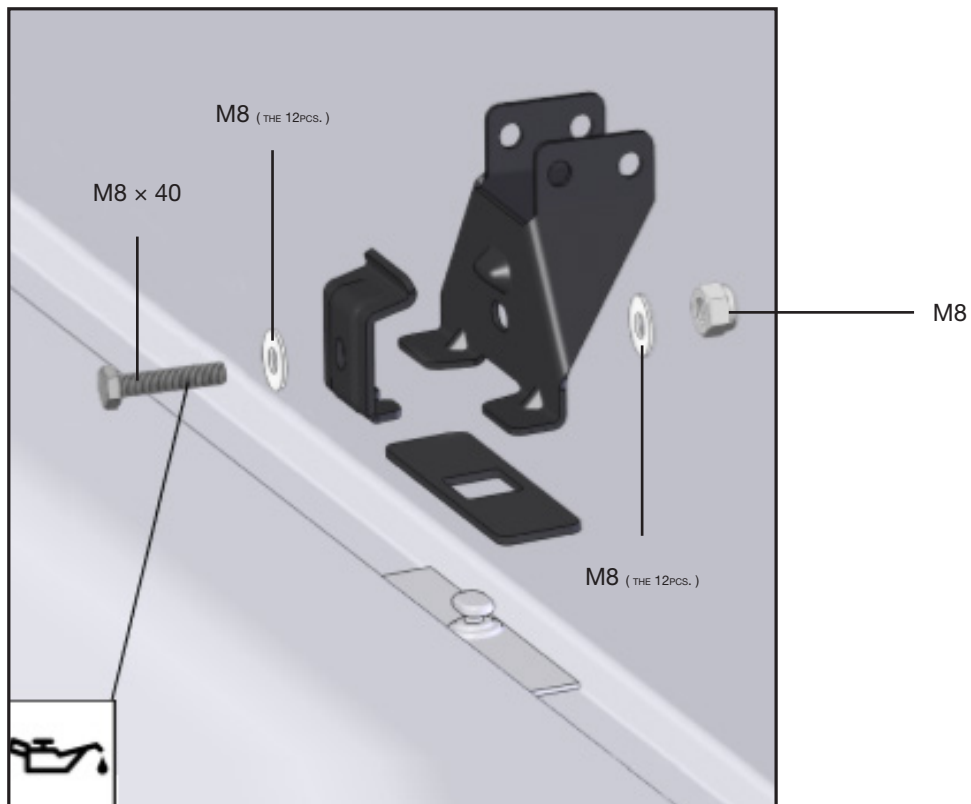
13mm x2



PHASE 2 – INSTALLATION

2.1 INSTALLATION

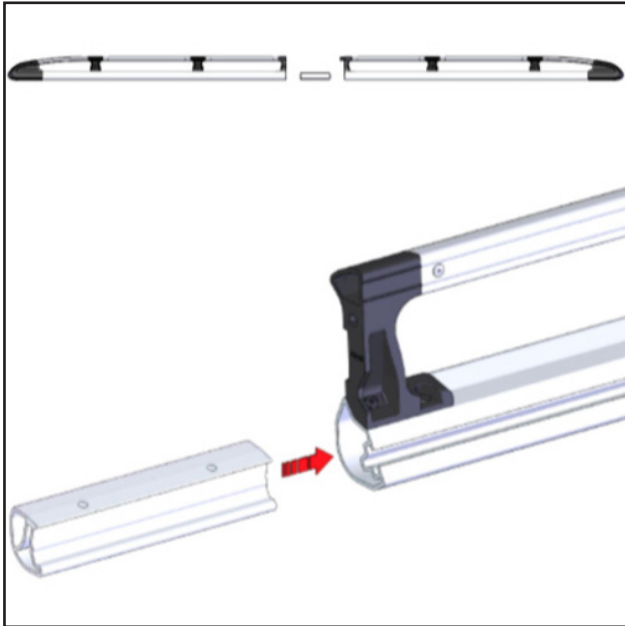
2.1.1 Install the feet.



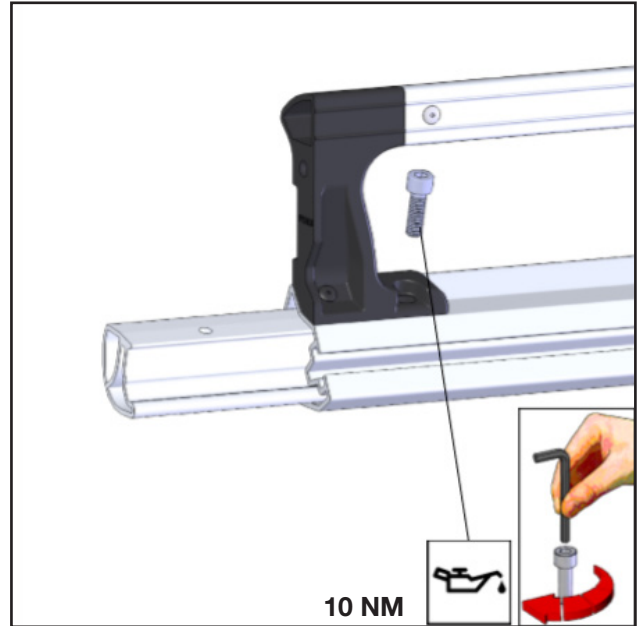
2.1.3 Connect the 2 side rails parts.

2x

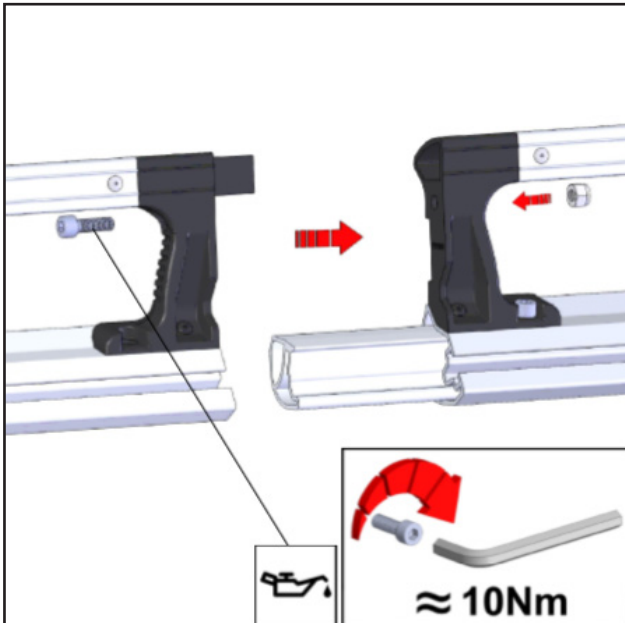
STEP 1



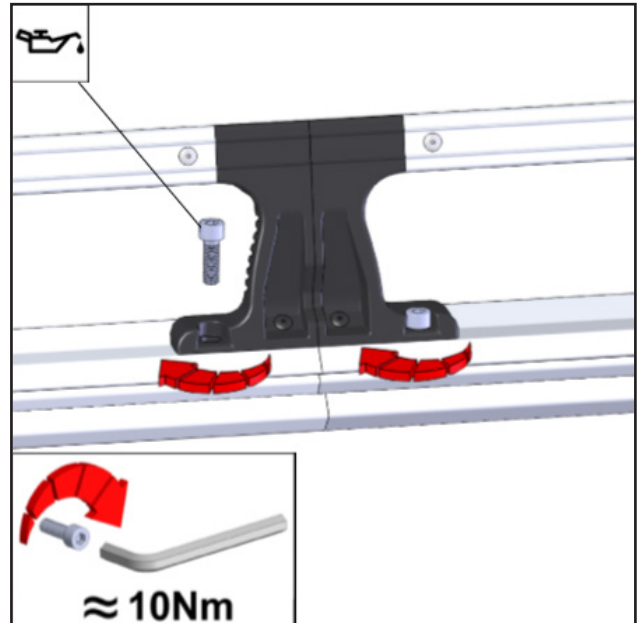
STEP 2



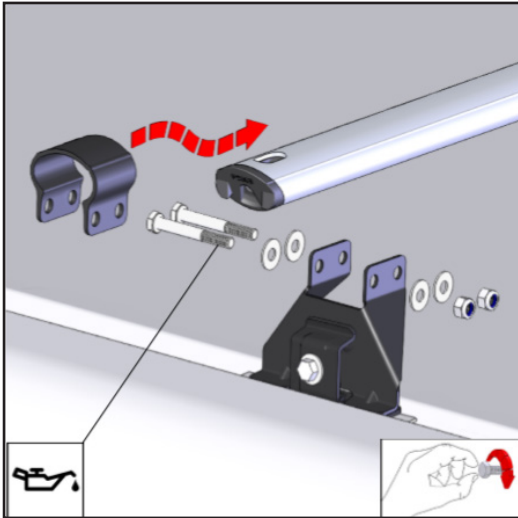
STEP 3



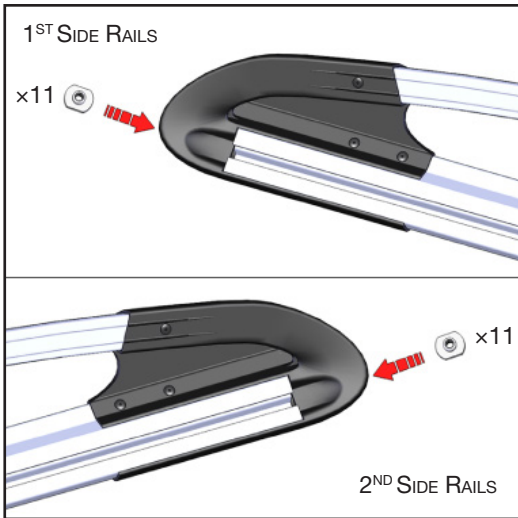
STEP 4



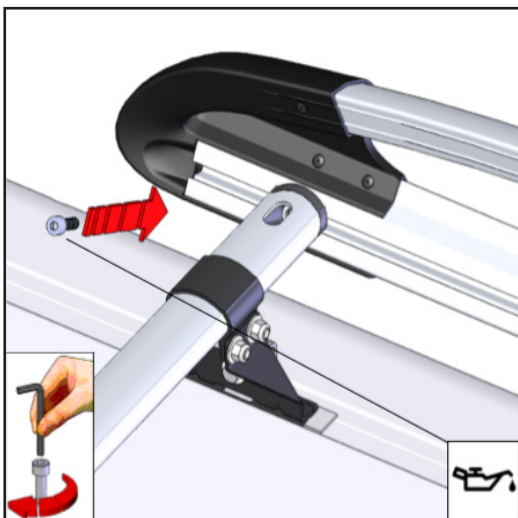
2.1.3 Install 3 bars in the feet.



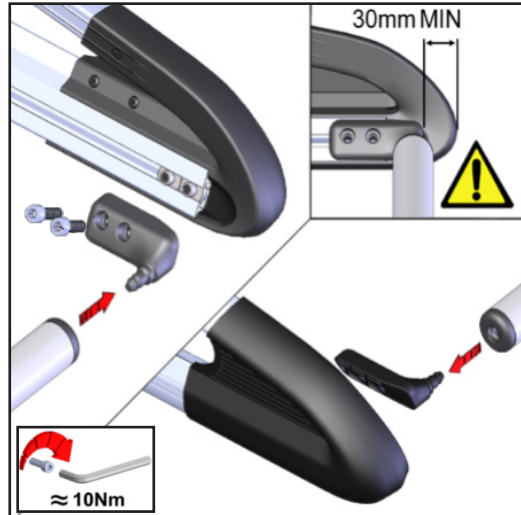
2.1.4 Slide 11 pcs. of channel nuts in each side rails.



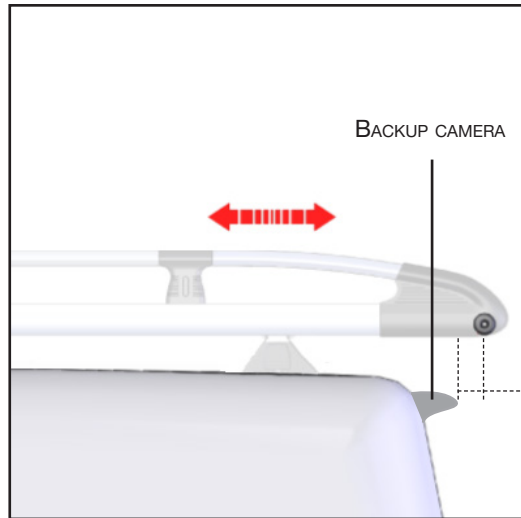
2.1.5 Attach the 2 side rails on both ends of the bar, using the 2ND, 6TH & 9TH Channel nuts from the front.



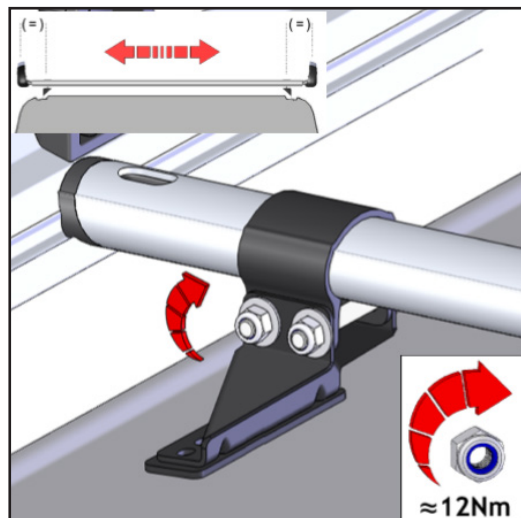
2.1.6 Attach the roller to the side rails using the 2 last channel nuts from the front.

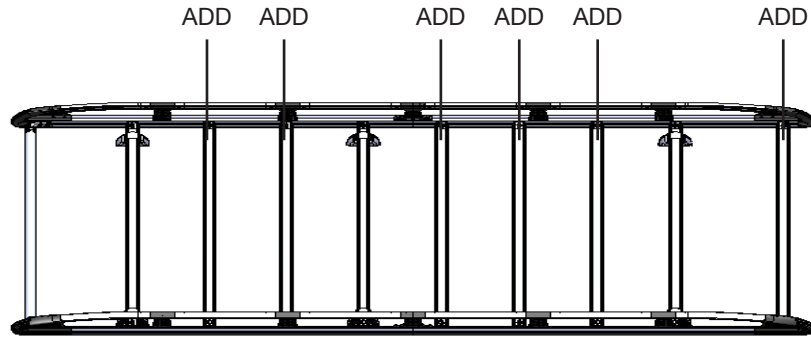


2.1.7 Slide the rack to the appropriate position.

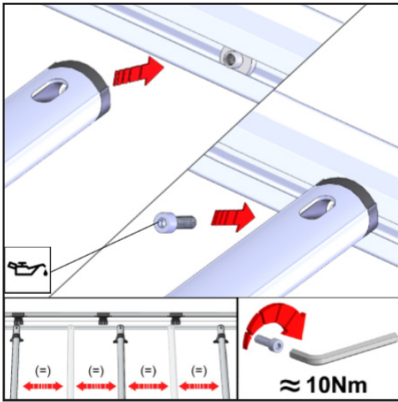


2.1.8 Center the bar on the vehicle.

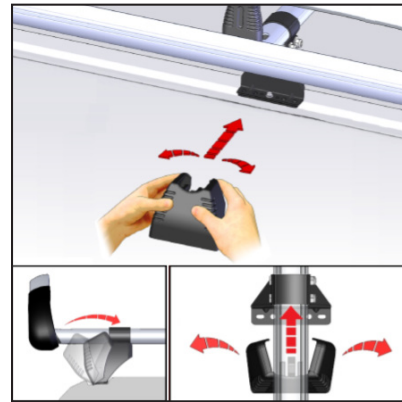




2.1.9 Attach the 6 bar.

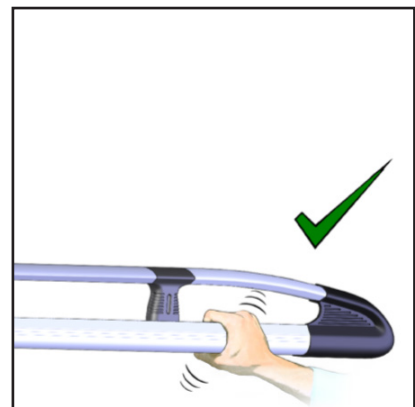
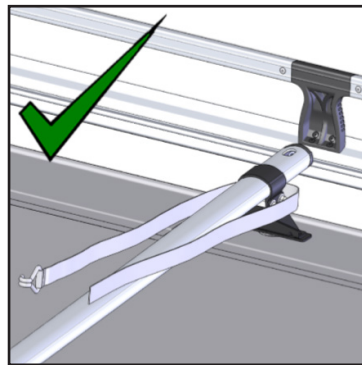
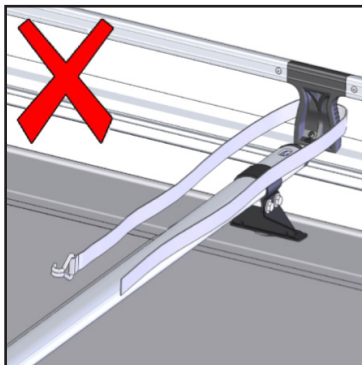
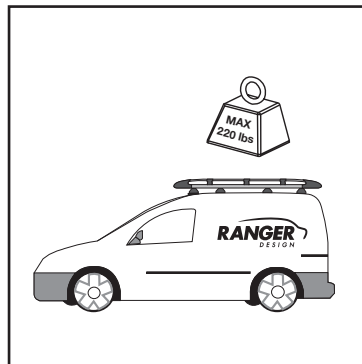
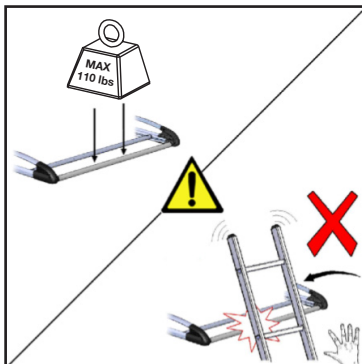


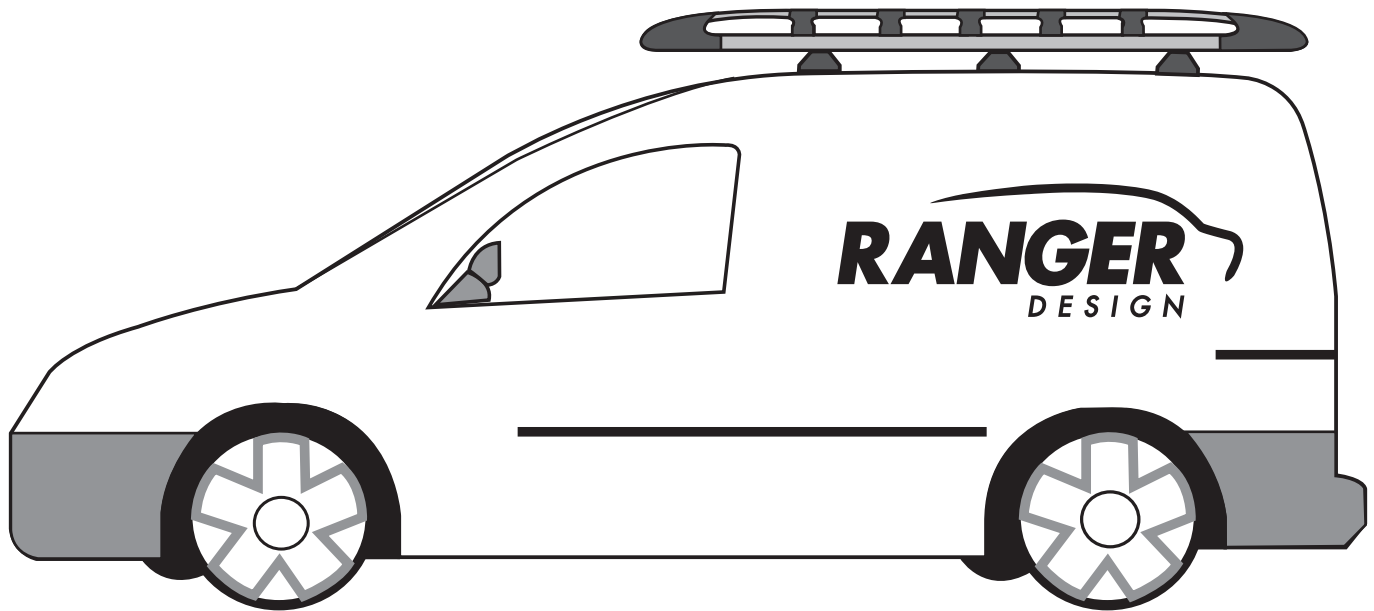
2.1.10 Attach the foot cowl to the foot.



PHASE 3 – TIPS

3.1 SAFETY TIPS





**“You have successfully installed your
1506-PHS Cargo Plus**

Thank you for doing business with us.”

For any feedback or suggestions you may have, please contact: cs@rangerdesign.com

