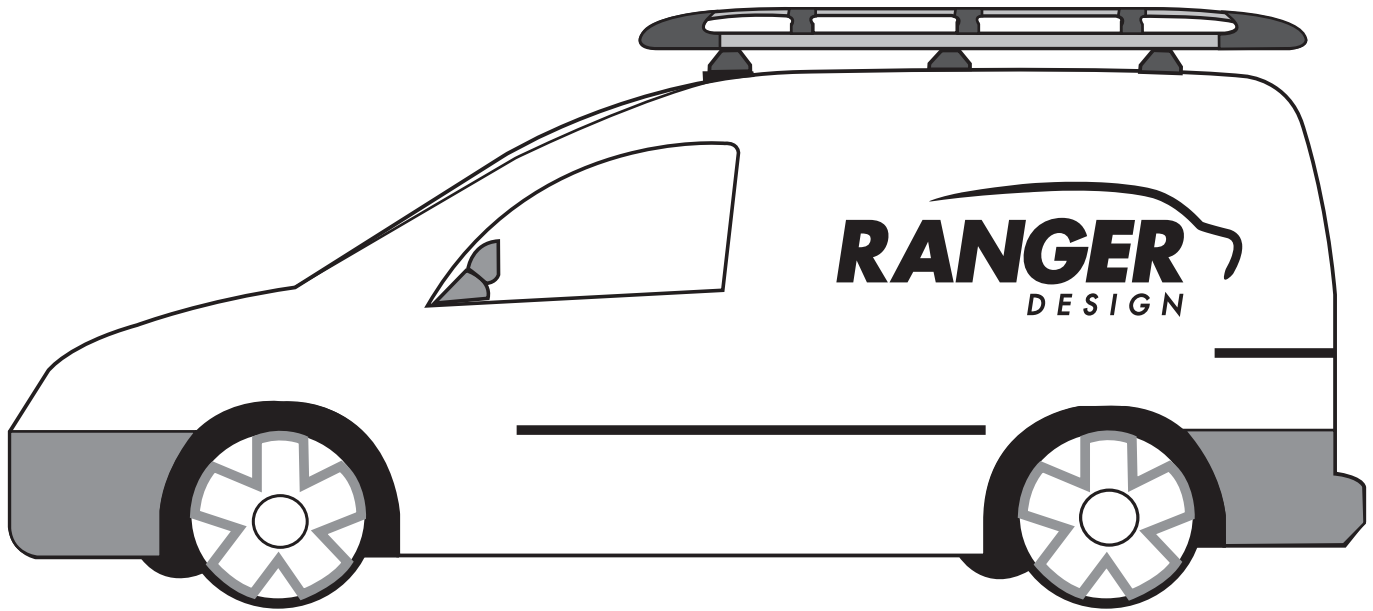


INSTALLATION GUIDE



1506-NS Cargo Plus

NISSAN NV200

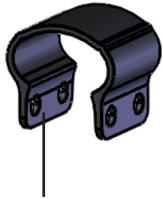


PHASE 1 – ASSEMBLY

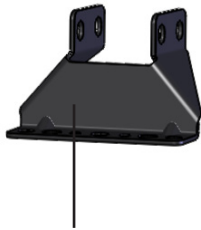
1.1 SETUP

1.1.2 Verify all parts are present.

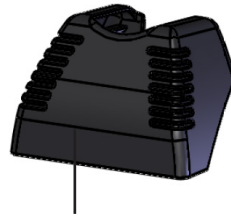
15-U4008 BOX



SADDLE EXTRUSION x6

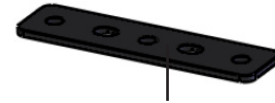
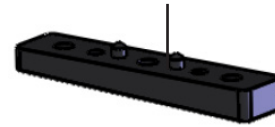


FOOT x6

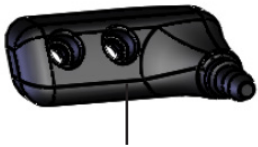


FOOT COWL x6

ANGLED RUBBER SPACER x4



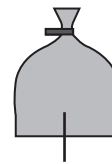
RUBBER SPACER x6



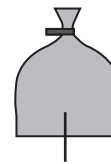
ROLLER SUPPORT "R" x1



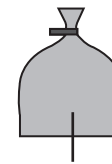
ROLLER SUPPORT "L" x1



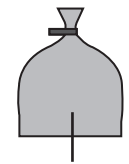
CFK - 1 x1



CFK - 2 x1



CFK - 3 x1



CFK - 4 x1

15-U1000 BOX



SIDE RAILS x2



SIDE RAILS x2

15-U3000 BOX



BAR x2



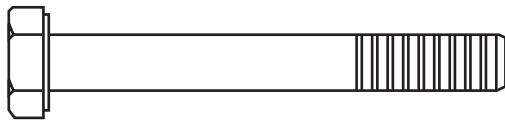
ROLLER x1

15-U2000 BOX



BAR x4

HARDWARE



(M8 x 65) x12



(M8 x 25) x2



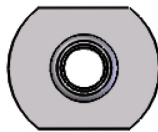
(M8 x 35) x4



(M8) x18



(M8) x14



(M8) x16



(M8) x6



(M8) x24



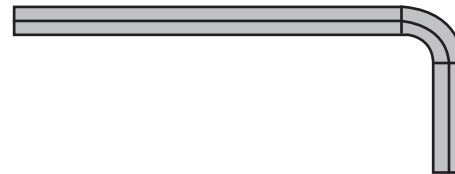
(M6) x6



Small Rubber Washer
x6

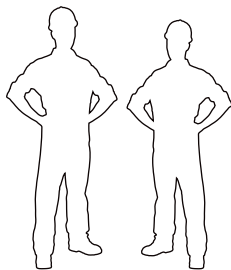


Small Rubber Washer
x6

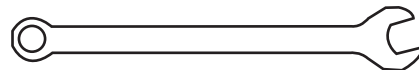


(M8) x1

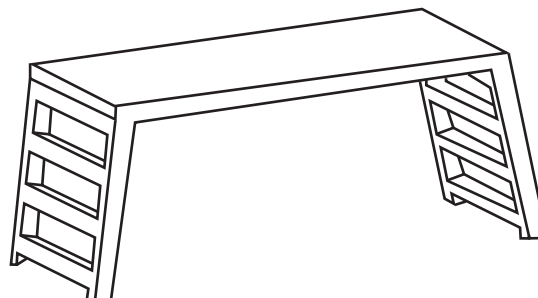
REQUIRED ITEMS



2
PERSONS



13mm x2

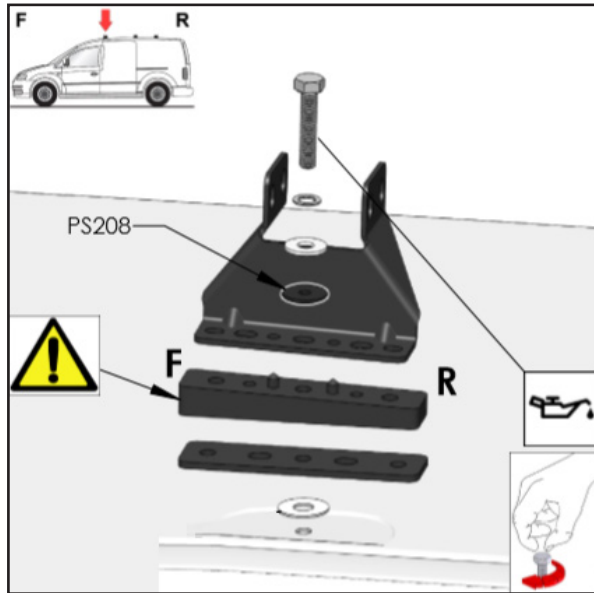


PHASE 2 – INSTALLATION

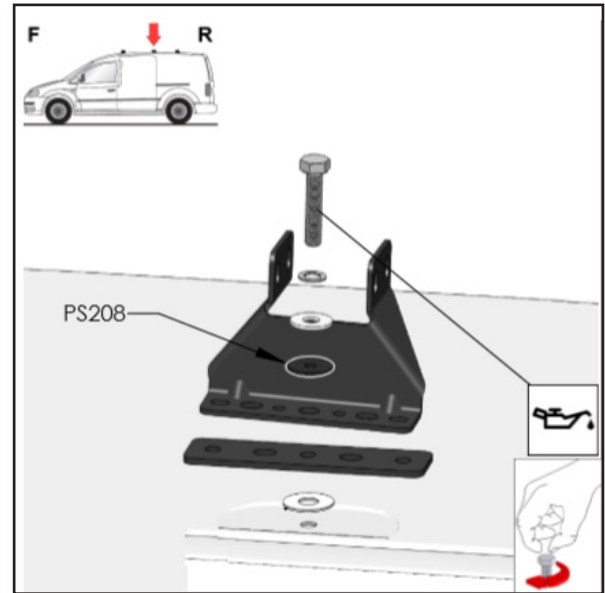
2.1 INSTALLATION

2.1.1 Install the feet.

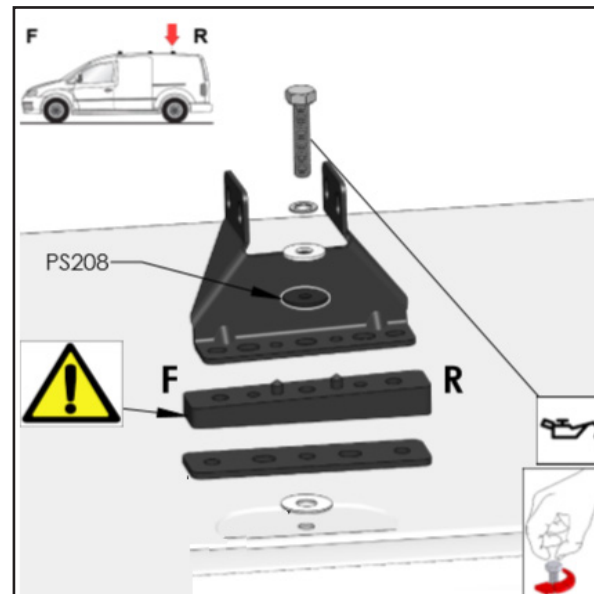
FRONT



MIDDLE



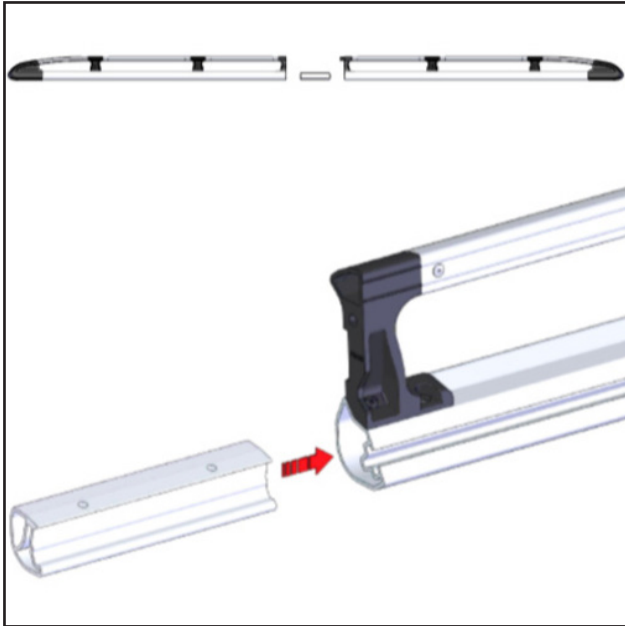
REAR



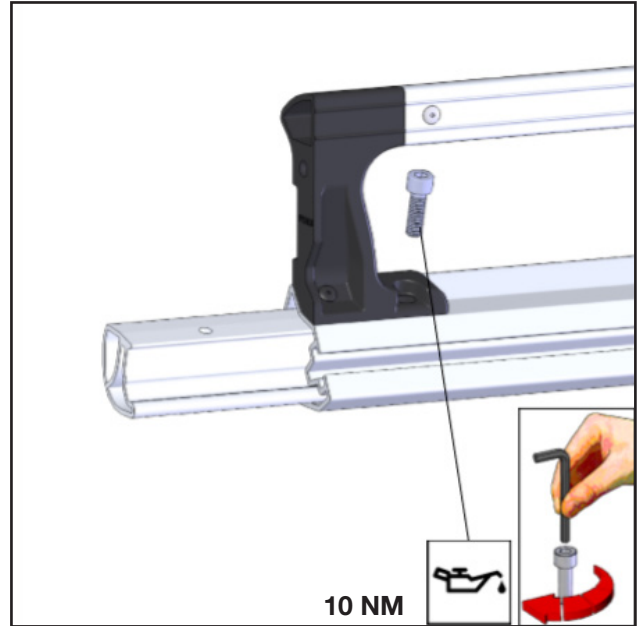
2.1.2 Connect the 2 side rails parts.

2x

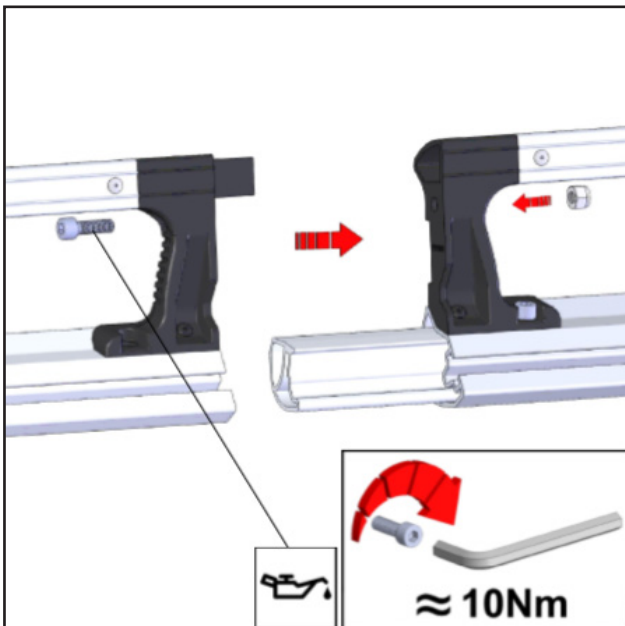
STEP 1



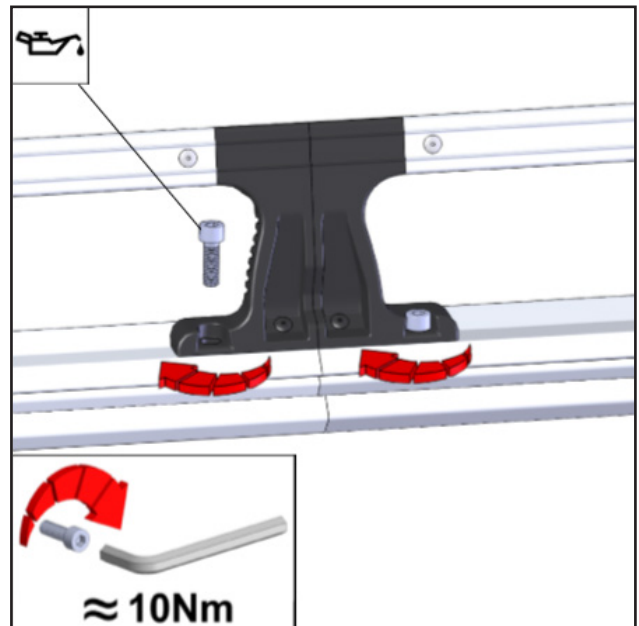
STEP 2



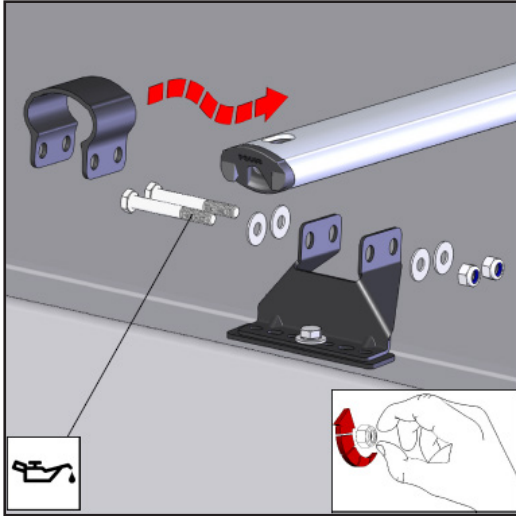
STEP 3



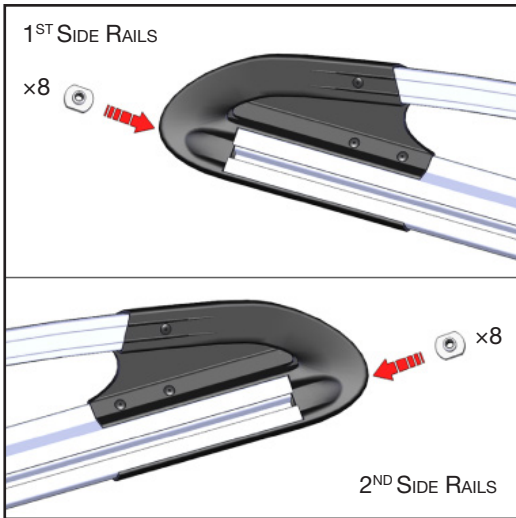
STEP 4



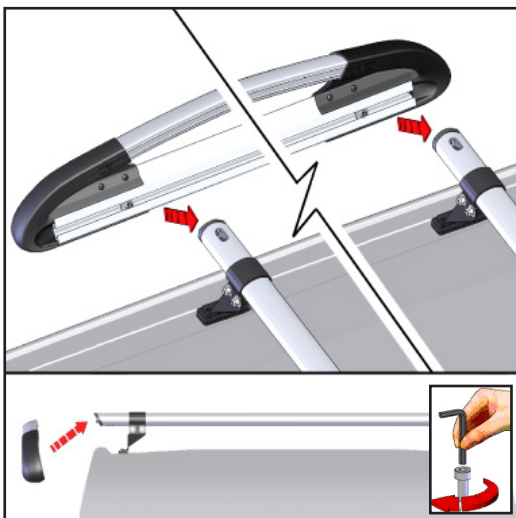
2.1.3 Install 3 bars in the feet.



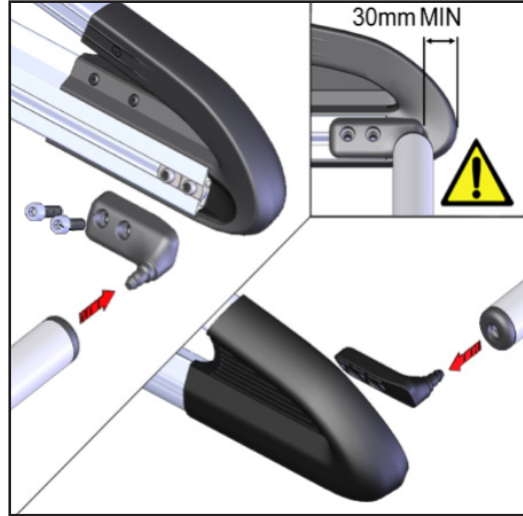
2.1.4 Slide 8pcs. of channel nuts in each side rails.



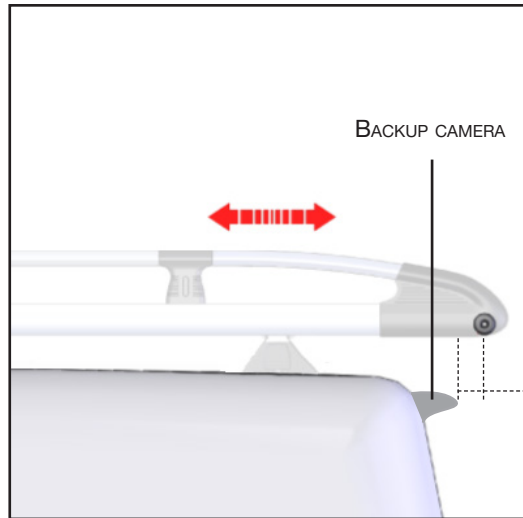
2.1.5 Attach the 2 side rails on both ends of the bar, using the 2ND, 4TH & 6TH Channel nuts from the front.



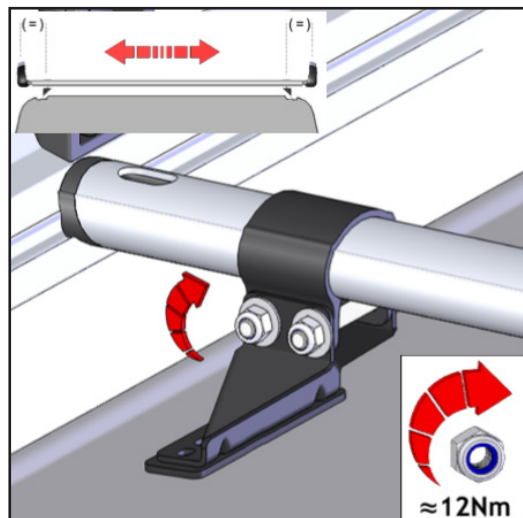
2.1.6 Attach the roller to the side rails using the 2 last channel nuts from the front.



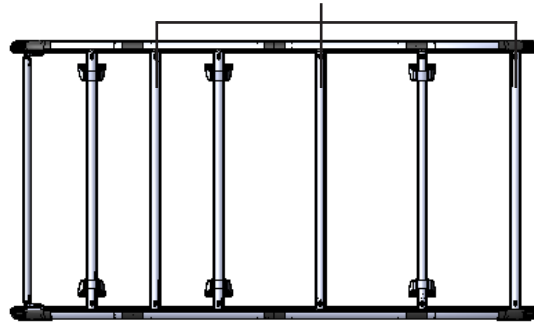
2.1.7 Slide the rack to the appropriate position.



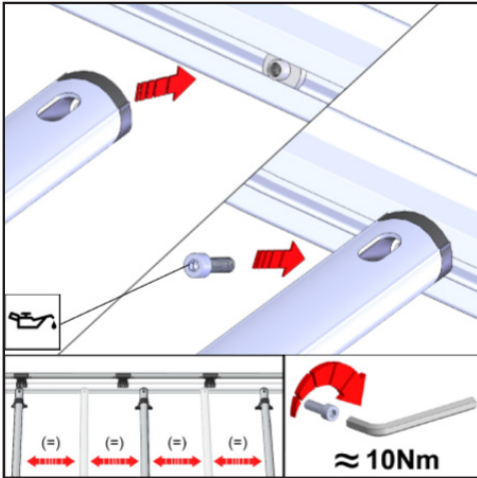
2.1.8 Center the bar on the vehicle.



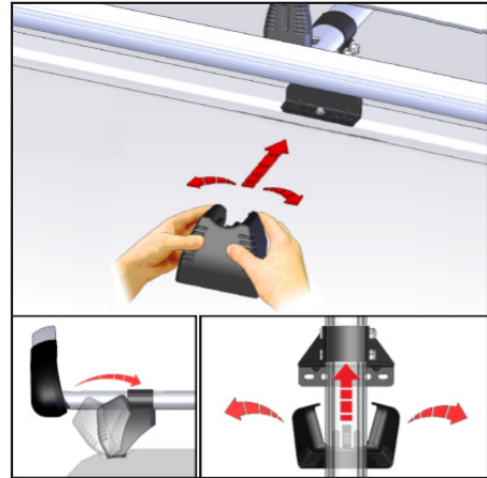
ADD



2.1.9 Attach the 3 bars.

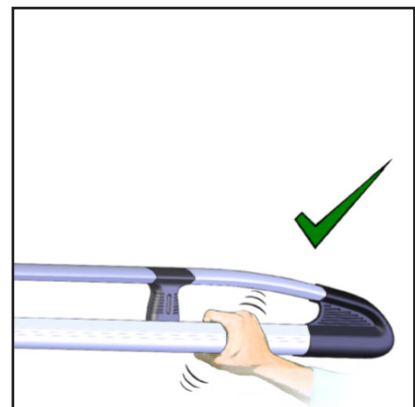
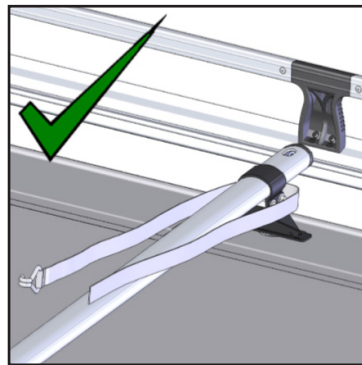
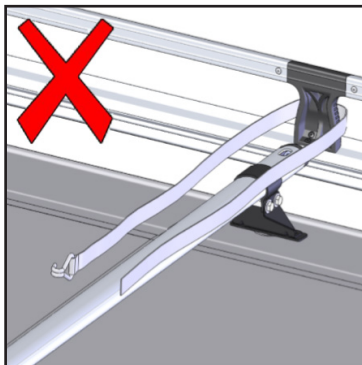
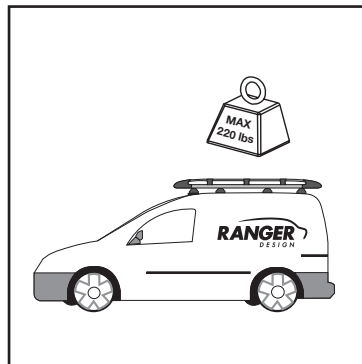
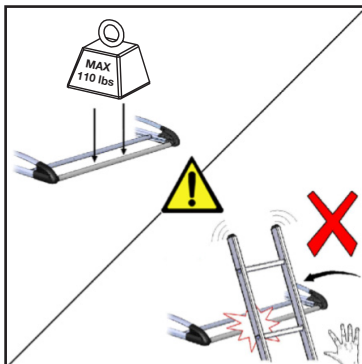


2.1.10 Attach the foot cowl to the foot.



PHASE 3 – TIPS

3.1 SAFETY TIPS





**“You have successfully installed your
1506-NS Cargo Plus**

Thank you for doing business with us.”

For any feedback or suggestions you may have, please contact: cs@rangerdesign.com

