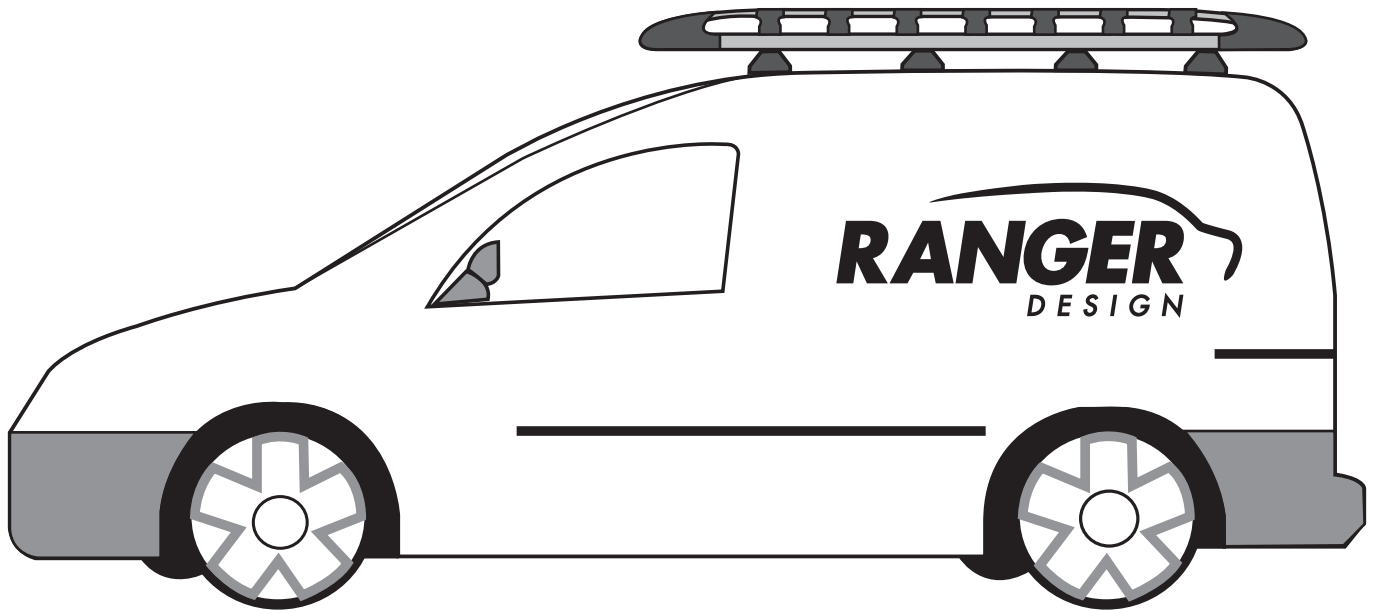


# INSTALLATION GUIDE



## 1506-FTL Cargo Plus

Ford Transit 148" Wheelbase

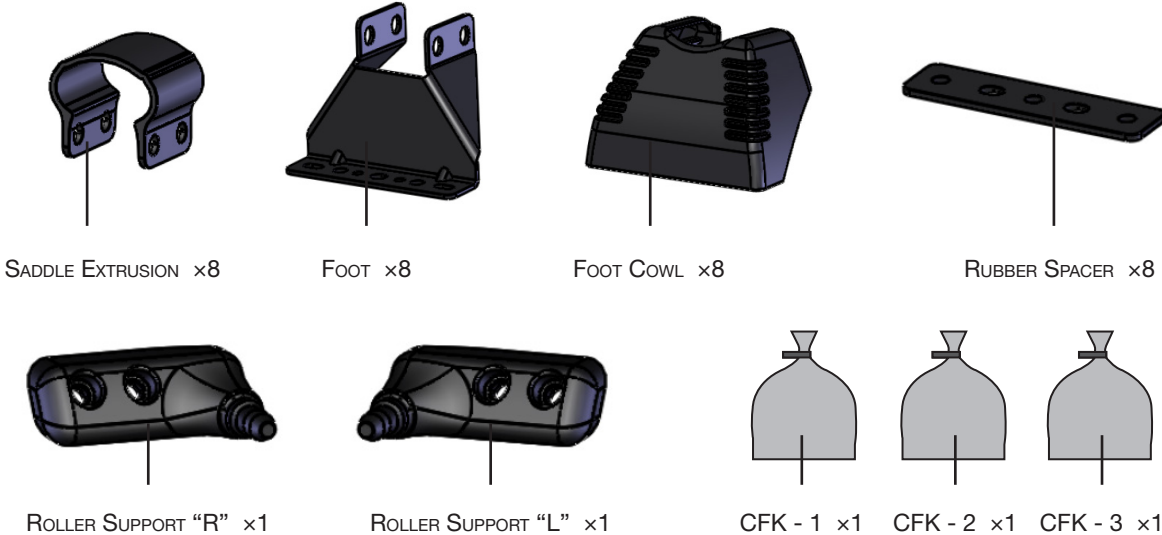


# PHASE 1 – ASSEMBLY

## 1.1 SETUP

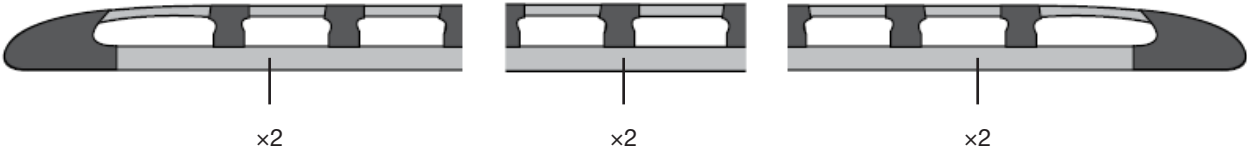
1.1.2 Verify all parts are present.

### 15-U4005 BOX

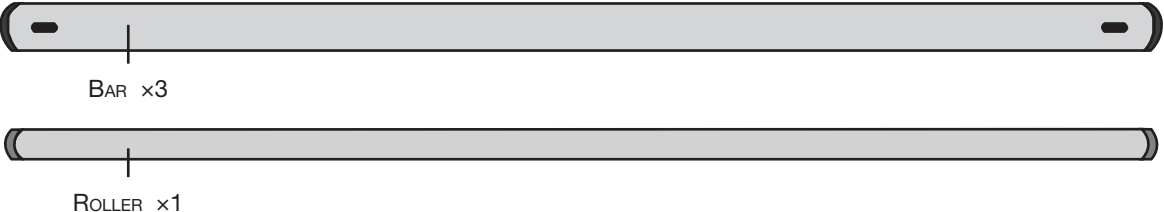


### 15-U1003 BOX

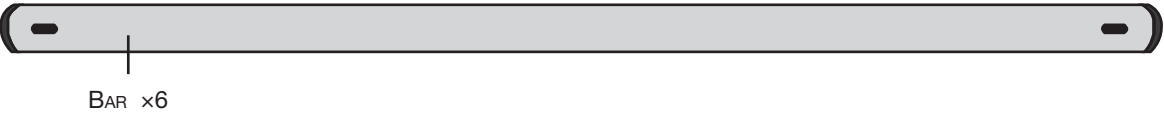
SIDE RAILS



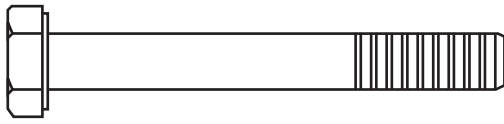
### 15-U3002 BOX



### 15-U2002 BOX



# HARDWARE



( M8 x 65 ) x16



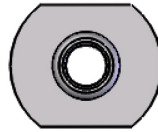
( M8 x 25 ) x8



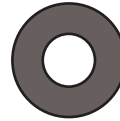
( M8 ) x34



( M8 ) x22



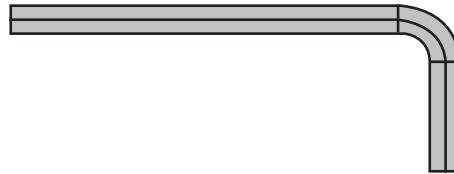
( M8 ) x22



( M8 ) x40

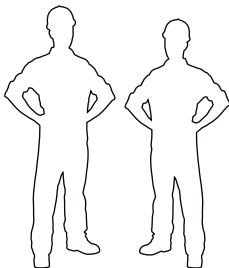


( M8 ) x8

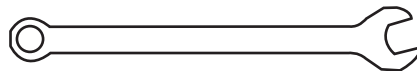


( M8 ) x1

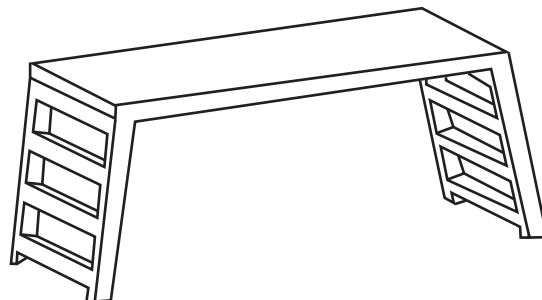
# REQUIRED ITEMS



**2**  
**PERSONS**



13mm x2



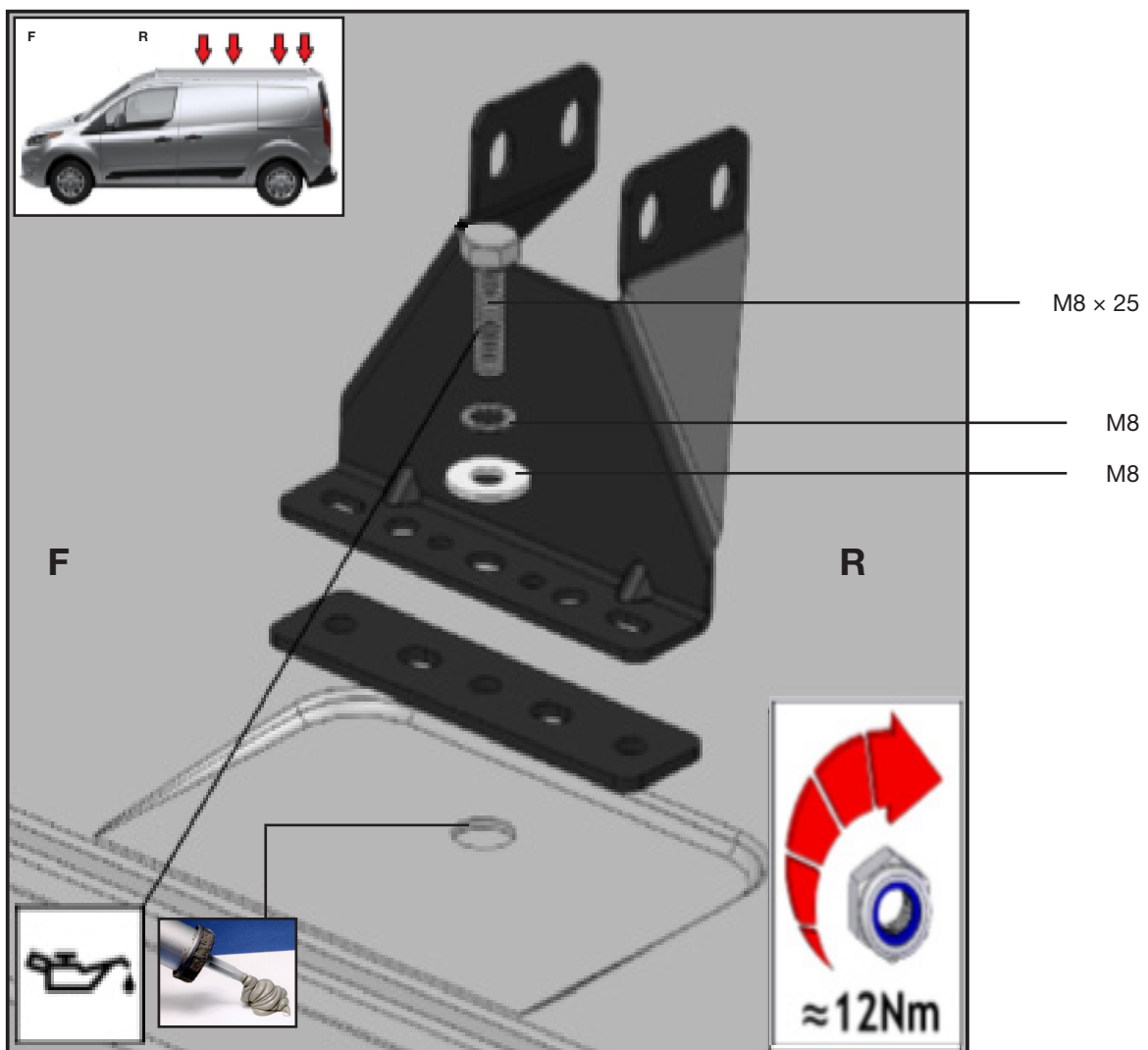
# PHASE 2 – INSTALLATION

## 2.1 INSTALLATION

2.1.1 Install the feet.

**NOTE:** Apply a bead of silicone a round each hole.

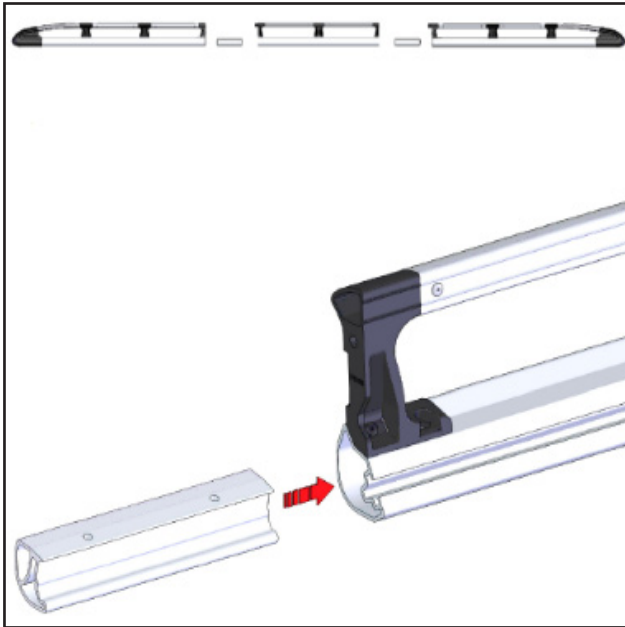
### THREADED HOLES



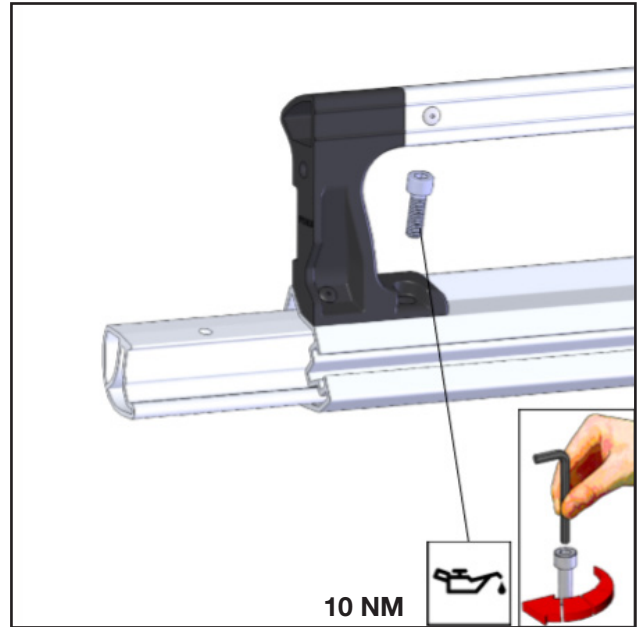
2.1.2 Connect the 3 side rails parts.

**2x**

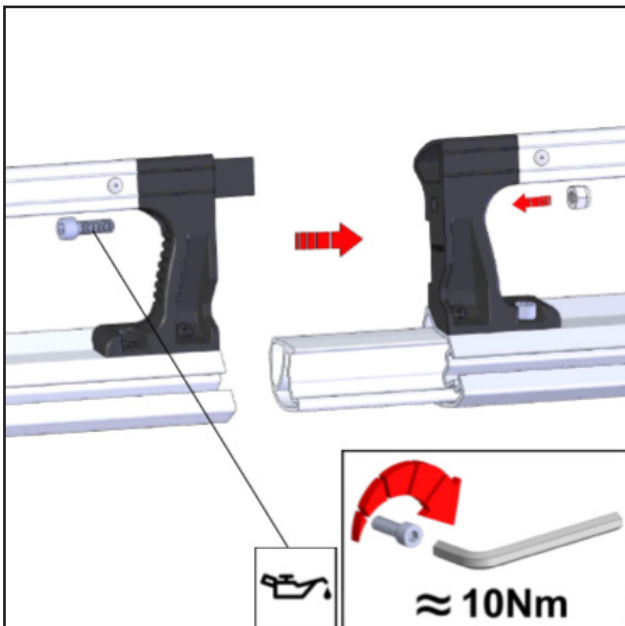
**STEP 1**



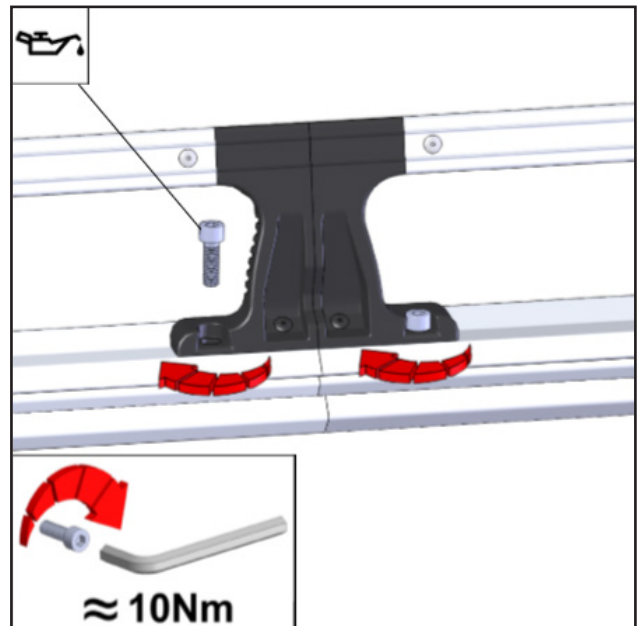
**STEP 2**



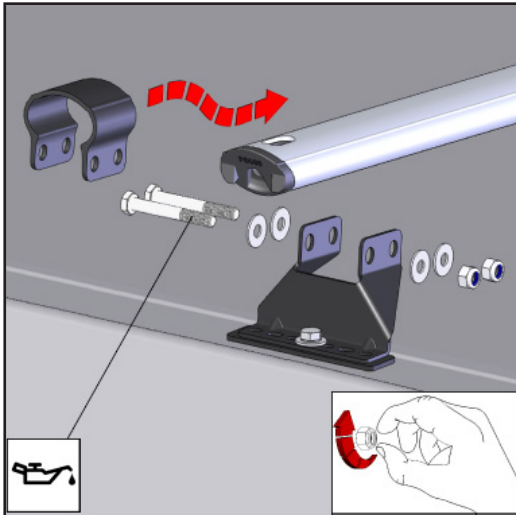
**STEP 3**



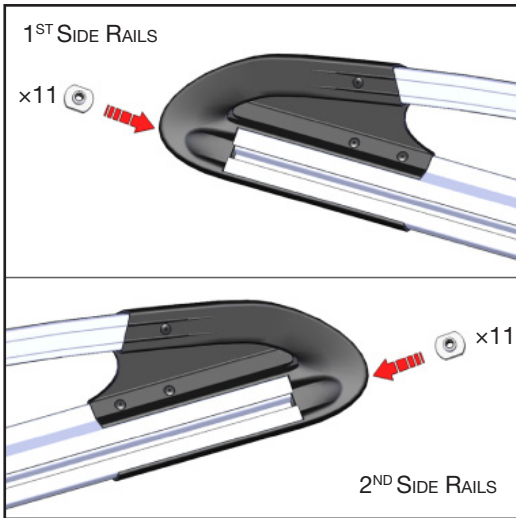
**STEP 4**



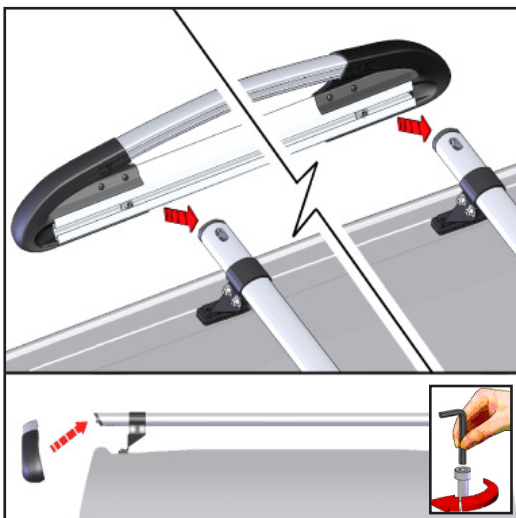
**2.1.3** Install 4 bars in the feet.



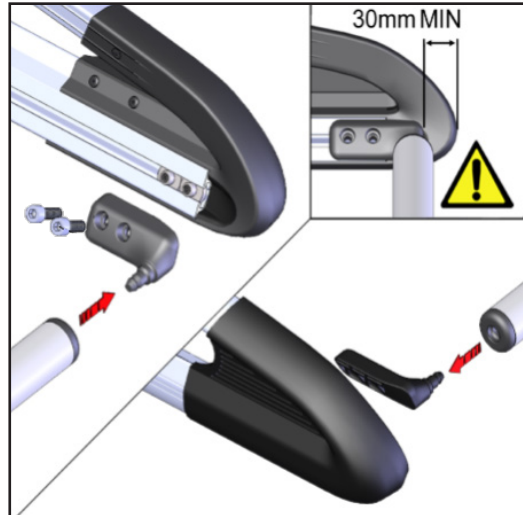
**2.1.4** Slide 11 pcs. of channel nuts in each side rails.



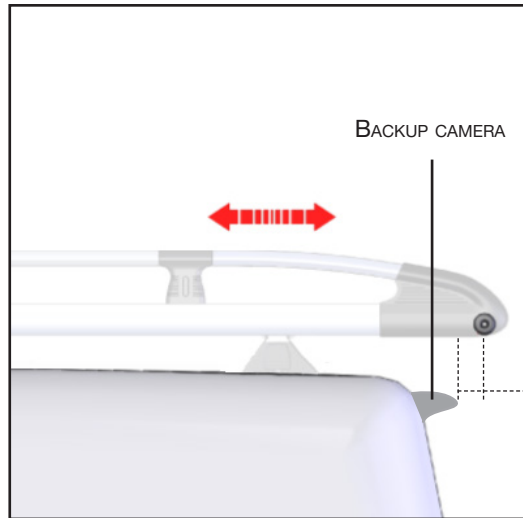
**2.1.5** Attach the 2 side rails on both ends of the bar, using the 3<sup>RD</sup>, 5<sup>th</sup>, 7<sup>th</sup> & 8<sup>th</sup> Channel nuts from the front.



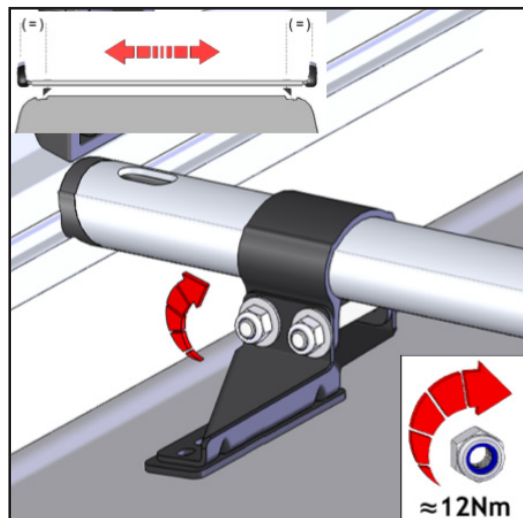
**2.1.6** Attach the roller to the side rails using the 2 last channel nuts from the front.

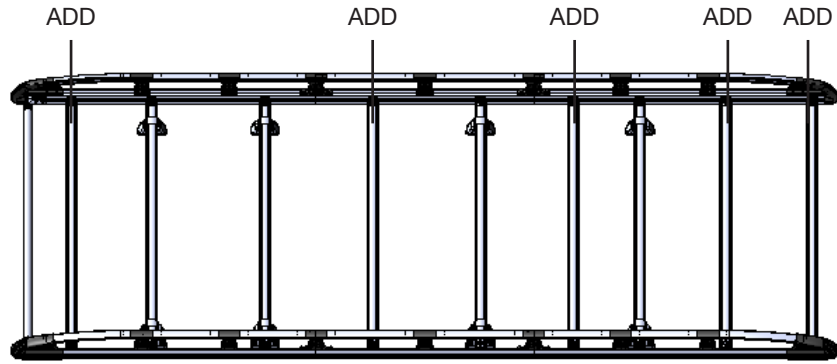


**2.1.7** Slide the rack to the appropriate position.

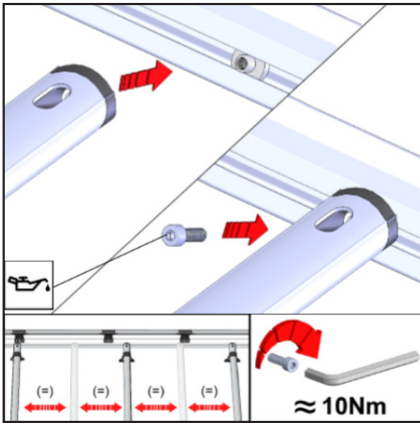


**2.1.8** Center the bar on the vehicle.

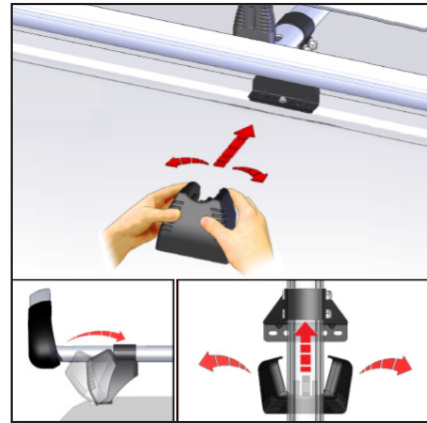




2.1.9 Attach the 5 bars.

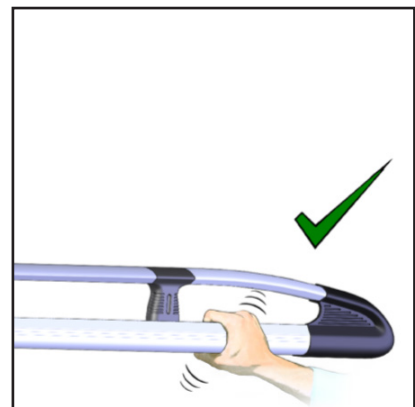
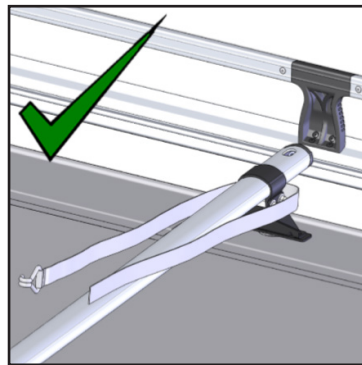
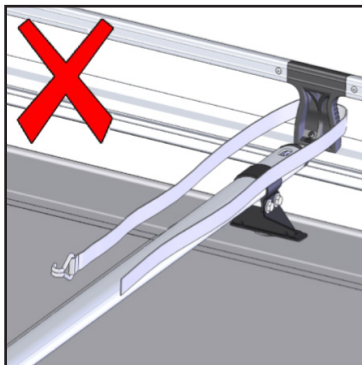
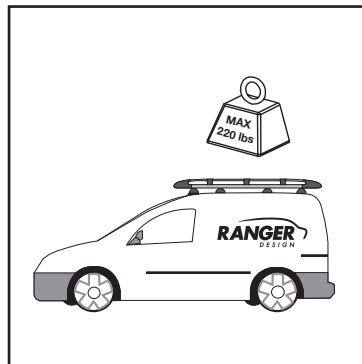
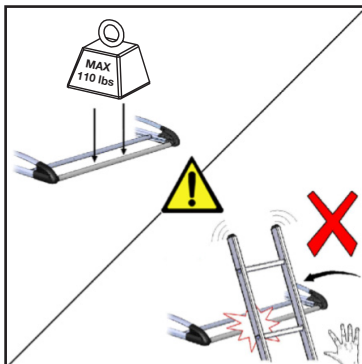


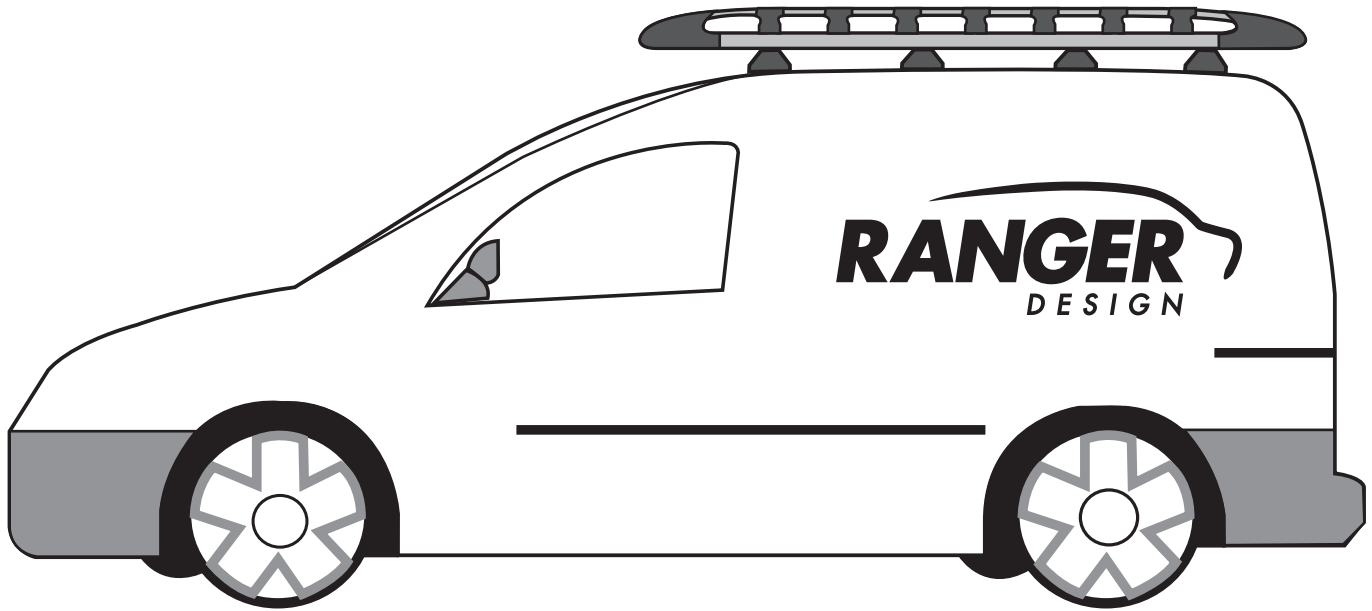
2.1.10 Attach the foot cowl to the foot.



## PHASE 3 – TIPS

### 3.1 SAFETY TIPS





**“You have successfully installed your  
1506-FTL Cargo Plus**

**Thank you for doing business with us.”**

For any feedback or suggestions you may have, please contact: [cs@rangerdesign.com](mailto:cs@rangerdesign.com)

