

INSTALLATION GUIDE



1505-TC Cargo Rack

Transit Connect (Aluminum)



QUICK START GUIDE

Phase 1 - Assembly

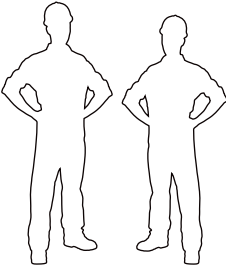
- 1.1 Setup..... 3 - 4
- 1.2 Cargo Rack Assembly..... 5 - 6

Phase 2 - Installation

- 2.1 Mounting Tracks Installation..... 7
- 2.2 Cargo Rack Installation..... 8 - 11

REQUIRED ITEMS

NOTE: Use Sawhorses if possible, or use the box as a flat protective surface on the ground or table.



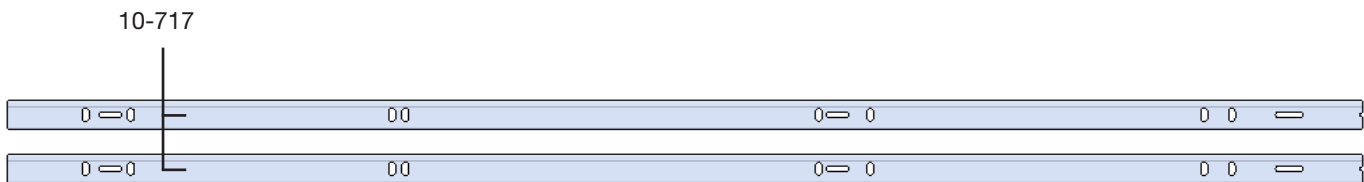
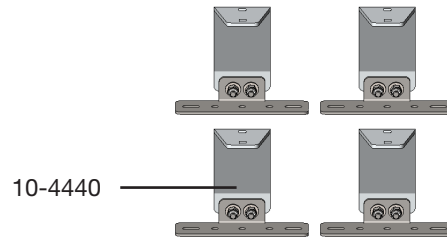
**2
PERSONS**

- Cordless Impact
- Ratchet
- Tape Measure
- Marker
- Ladder
- Cutter
- 1/2" Socket
- Sawhorse (Optional)
- Box
- Knife
- 1/2" Wrench
- Silicone

PHASE 1 – ASSEMBLY

1.1 SETUP

1.1.1 Unpack components; compare with the bill of materials.



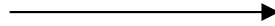
1.1.2 Verify all parts are present.

BILL OF MATERIALS





Item No.	Description	Qty.
10-717	Mounting Track	2
10-4440	“C” Foot	4
15-0501	Front Crossbar	1
15-0511	Rear Crossbar	1
94-1008	Assembly Fastener Kit	1
96-1015	Install Fastener Kit	1

1.1.3 Fastener kits.

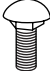



94-1008 Fastener Kit



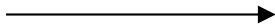
Fastener Assembly

- 8x  # 90-491 Carriage Bolt
5/16"-18 x 1"
SS304
- 8x  # 94-105 Hex Nut
5/16"-18
SS316wax
- 8x  # 98-117 Flat Washer
5/16", O.D 3/4"
SS18-8
- 8x  # 98-123 Lock Washer
Regular 5/16"
SS304



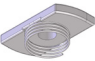



8x

 #90-491 Carriage Bolt 5/16" x 1"
 #98-117 Flat Washer
 #98-123 Lock Washer
 #94-105 Hex Nut





96-1015 Fastener Kit







Fastener Assembly

- 16x  # 90-209 Hex Bolt
5/16"-18 x 1"
SS304
- 8x  # 94-116 Serrated Nut
5/16"-18
ZINC
- 8x  # 94-150 Channel Nut
5/16"
- 16x  # 98-117 Flat Washer
5/16", O.D. 3/4"
SS18-8
- 8x  # 98-123 Lock Washer
5/16"
SS304
- 8x  # 98-149 Spacer
0.290" ID x 1.375" OD x 0.125" L
NEOPRENE

8x

 #90-209 Hex Bolt 5/16" x 1"
 #98-123 Lock Washer
 #98-117 Flat Washer
 #94-150 Channel Nut

8x

 #90-209 Hex Bolt 5/16" x 1"
 #98-117 Flat Washer
 #98-149 Neoprene Spacer
 #94-116 Serrated Nut

PHASE 1 – ASSEMBLY

1.2 CARGO RACK ASSEMBLY

1.2.1 Slide carriage bolts on the bottom face of the crossbars.

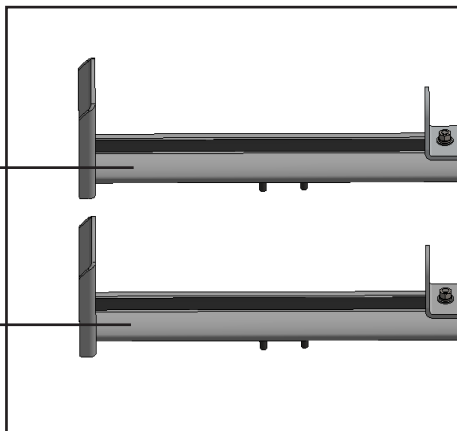
NOTE: The track plug must be removed from the underneath of the front crossbar, and reinstalled after the feet have been installed in the final position, see 2.2.4.



DRIVER SIDE

Front crossbar

- Slide 2 pcs. of 1" carriage bolts.



Rear crossbar

- Slide 2 pcs. of 1" carriage bolts.

HARDWARE USED

4x

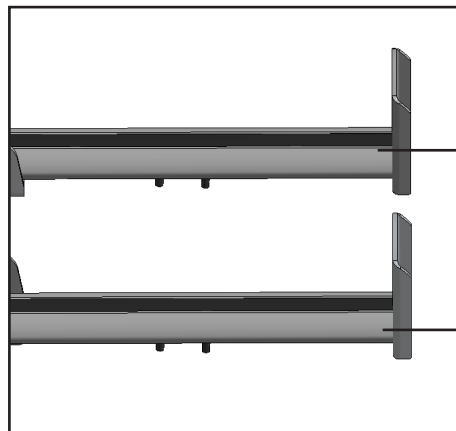


#90-491 Carriage Bolt
5/16" x 1" SS304

PASSENGER SIDE

Front crossbar

- Slide 2 pcs. of 1" carriage bolts.



Rear crossbar

- Slide 2 pcs. of 1" carriage bolts.

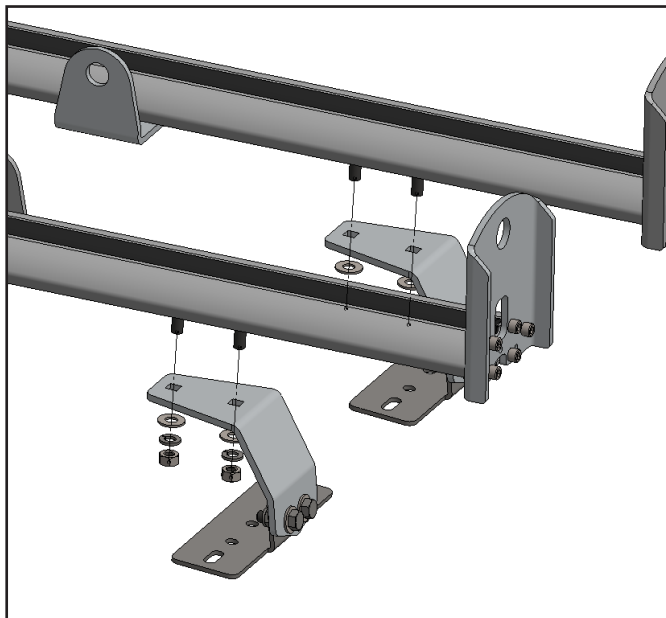
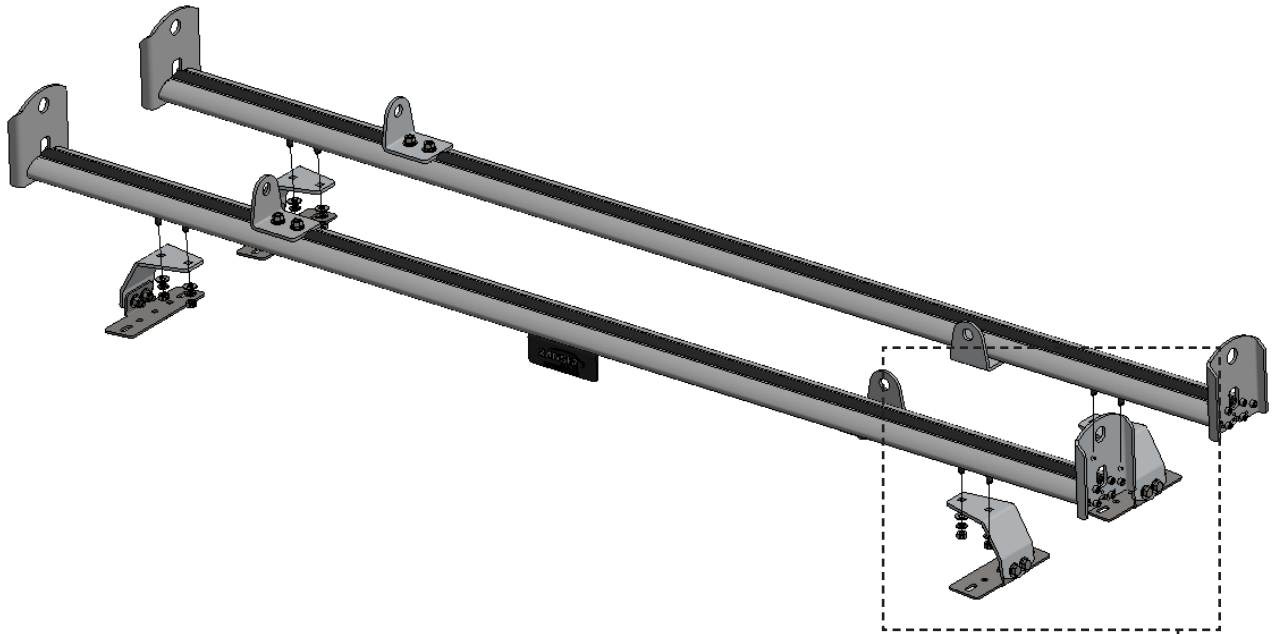
HARDWARE USED

4x



#90-491 Carriage Bolt
5/16" x 1" SS304

1.2.2 Install the feet on the Front, and Rear Crossbars.



HARDWARE USED

8x HAND-TIGHTEN THE NUTS.



Carriage bolts are already on the crossbars.



#98-117 Flat Washer



#98-123 Lock Washer



#94-105 Hex Nut

PHASE 2 – INSTALLATION

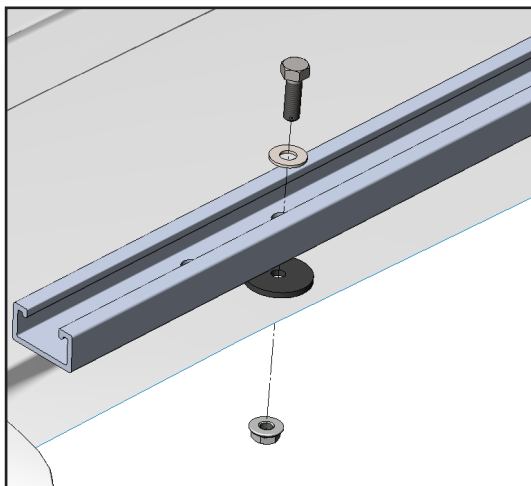
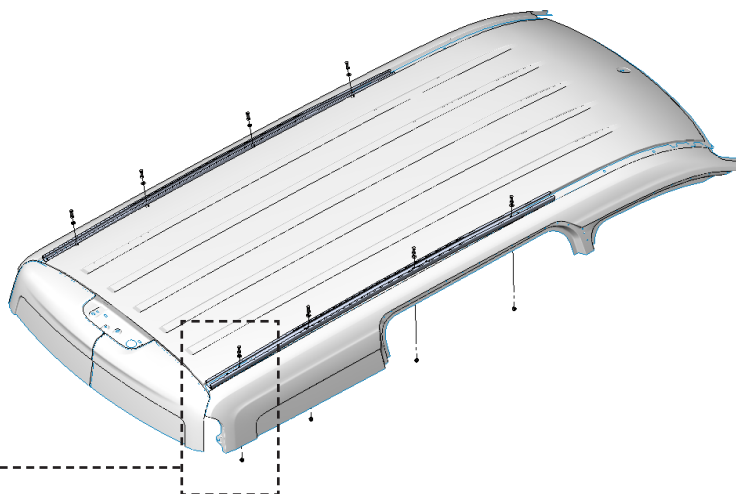
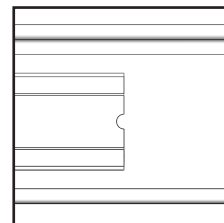
2.1 MOUNTING TRACKS INSTALLATION

- 2.1.1**
- Pull the plugs off, then apply a bead of silicone around the each hole.
 - Install the mounting tracks on the roof.

NOTE: The ends of the mounting tracks with the half-circles go to the front of the vehicle.



FRONT

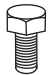





TOOLS

- Cordless Impact
- 1/2" Socket

HARDWARE USED

8x

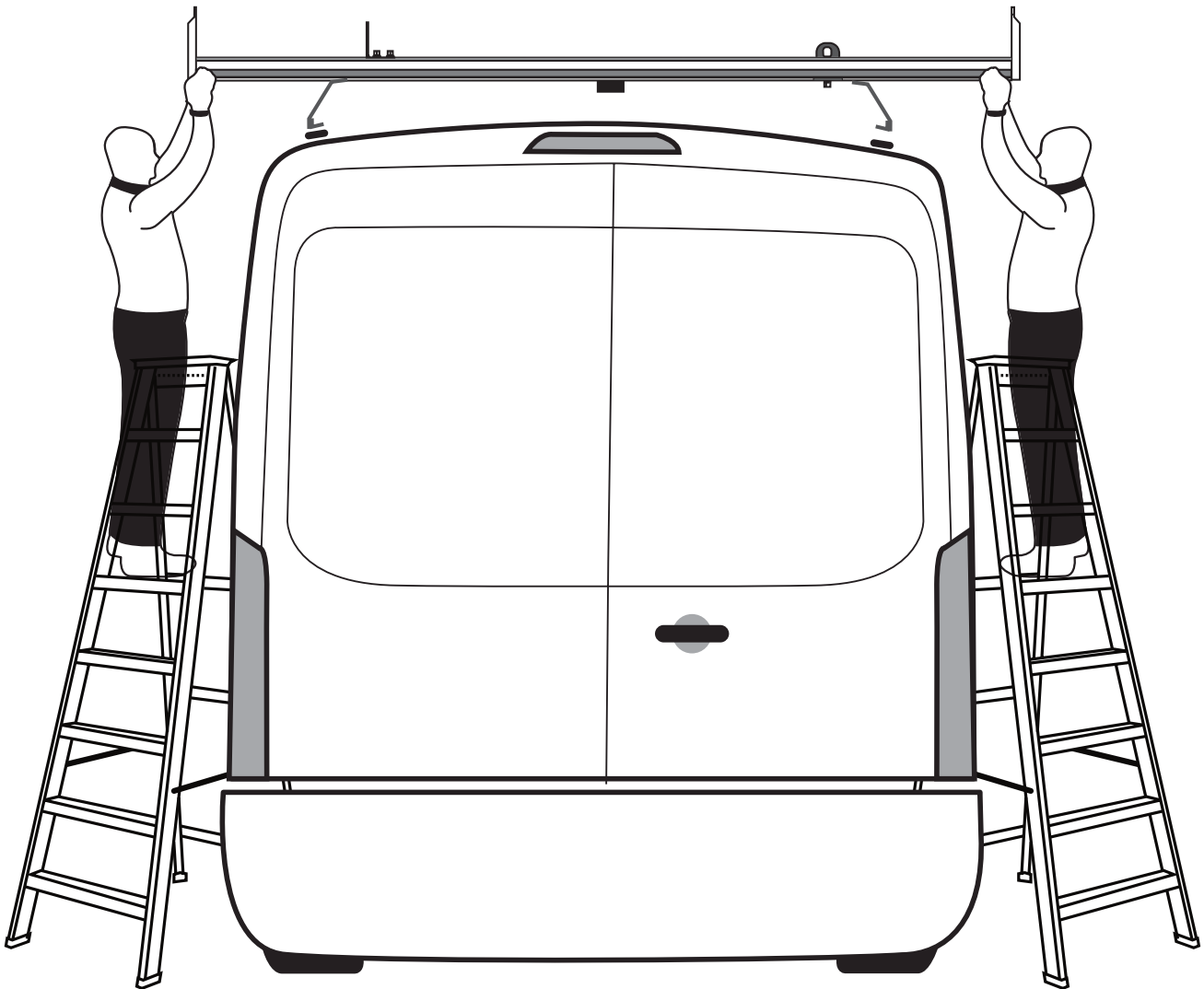
- | | |
|---|-----------------------------|
|  | #90-209 Hex Bolt 5/16" x 1" |
|  | #98-117 Flat Washer |
|  | #98-149 Neoprene Spacer |
|  | #94-116 Serrated Nut |

PHASE 2 – INSTALLATION

2.2 CARGO RACK INSTALLATION

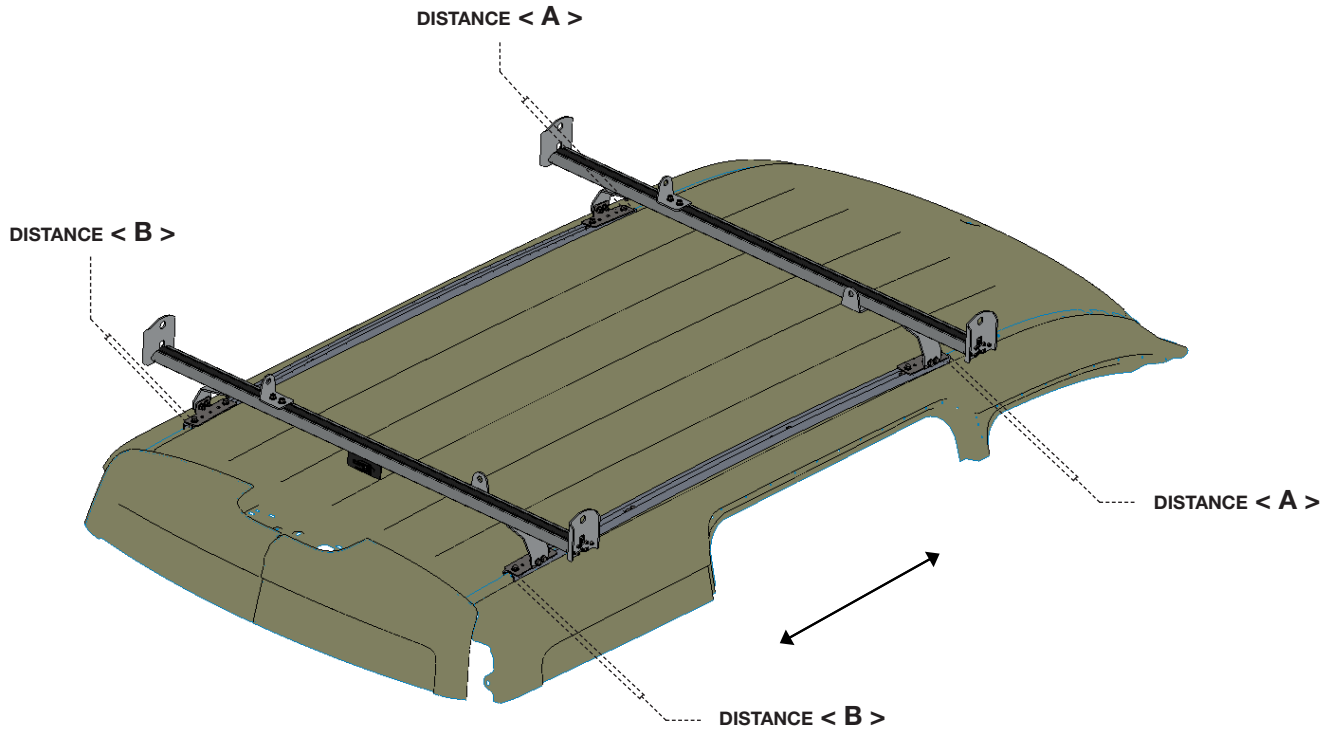
2.2.1 Position the front and rear crossbars (**minimum two persons**) on the vehicle so that the feet are on the tracks.

Cargo Rack



- 2.2.2** • Make sure the crossbars are parallel to each other at the desired distance apart, then attach all the “C” feet to the mounting tracks.
- Tighten the bolts that attach the foot plate to the ladder rack leg.

DISTANCE < FOOT TO END OF TRACK >

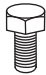





TOOLS

- Ratchet
- 1/2" Socket
- Tape Measure

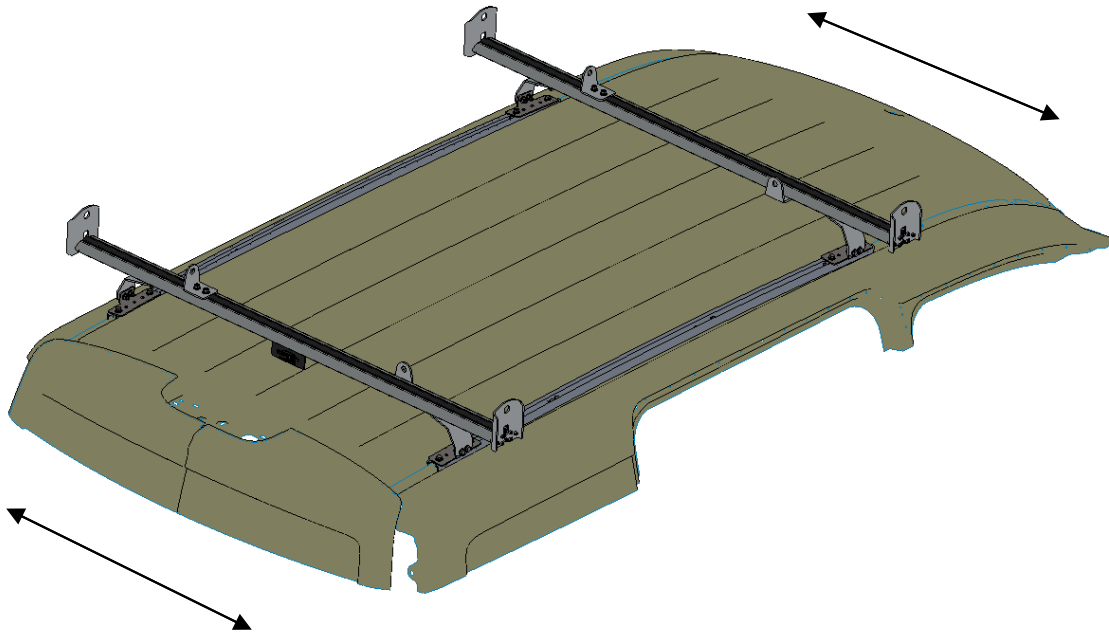
FASTENERS USED

8x

	#90-209 Hex Bolt 5/16" x 1"
	#98-123 Lock Washer
	#98-117 Flat Washer
	#94-150 Channel Nut

2.2.3 Center the crossbars on the vehicle, then tighten all the “C” feet to the crossbars.

NOTE: The ladder cannot extend beyond the rear bumper of the vehicle.

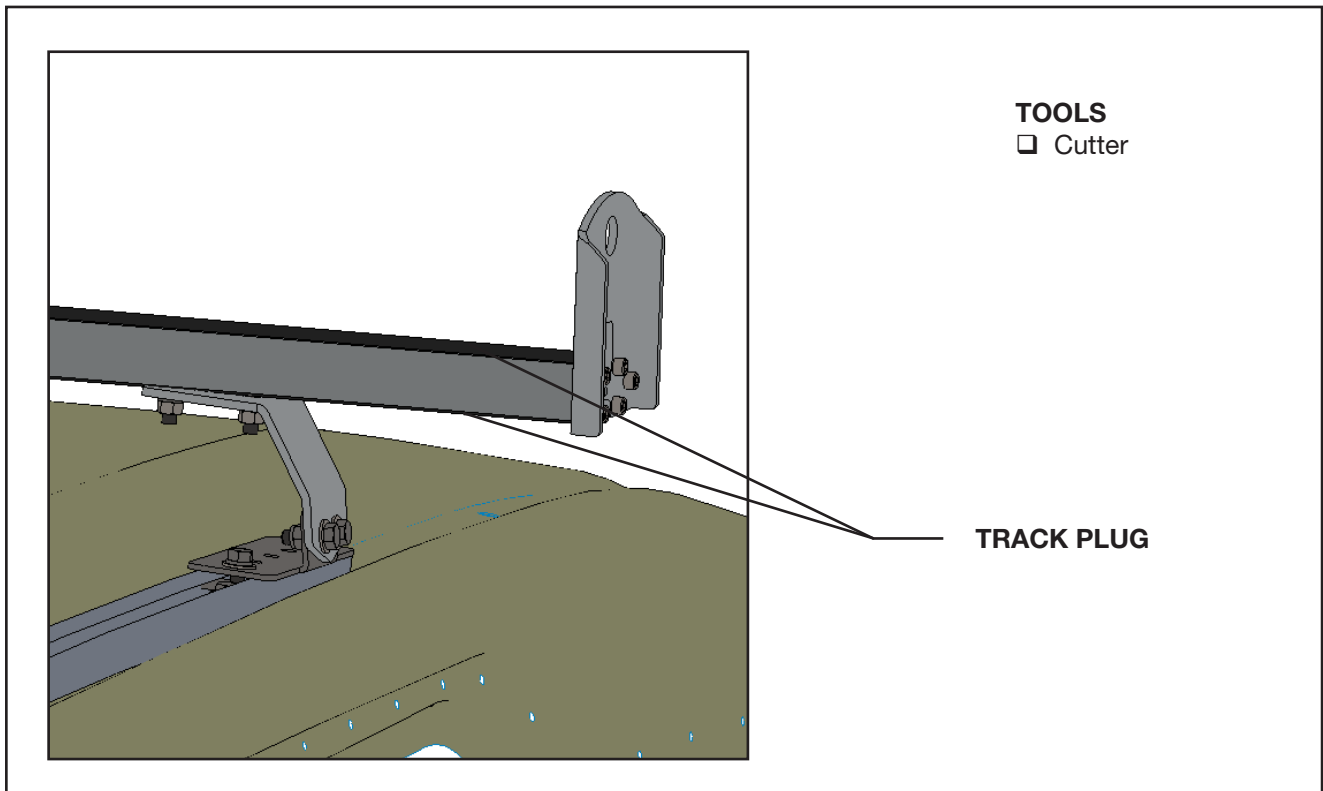
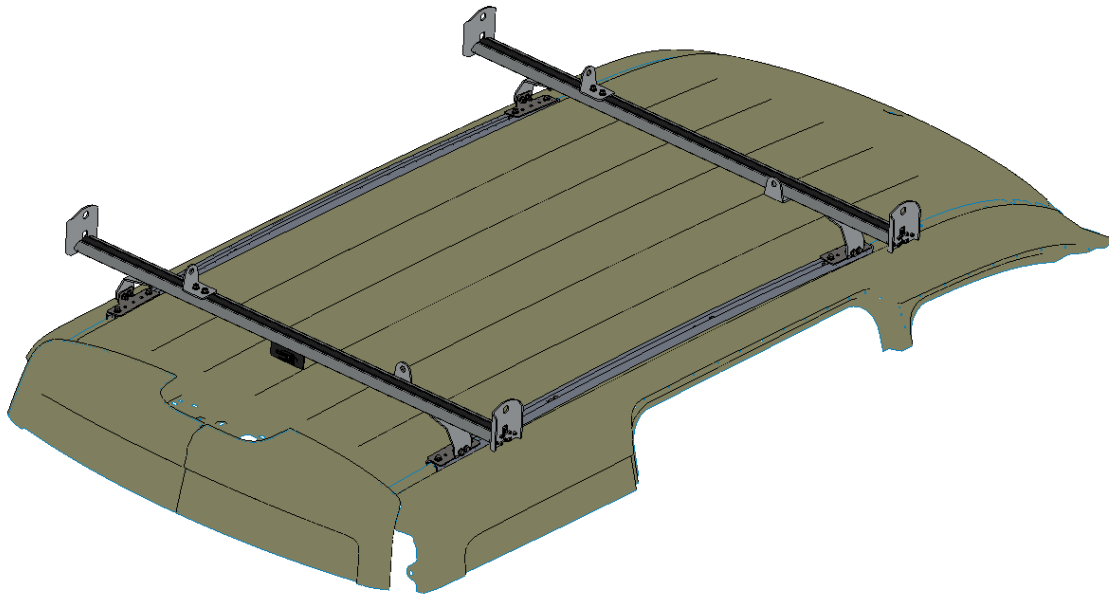


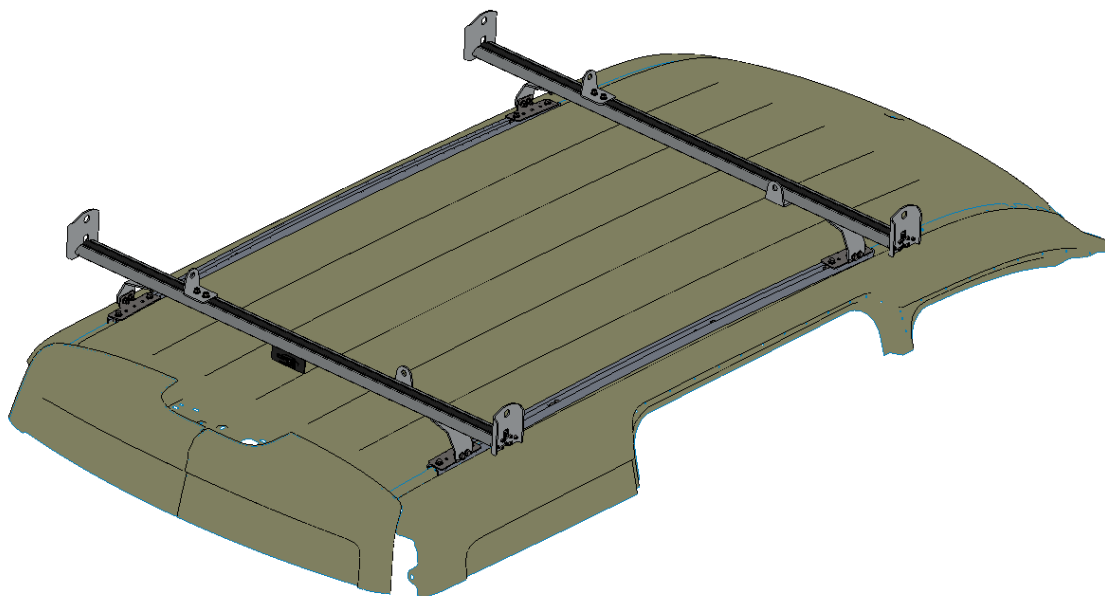
A close-up diagram showing a crossbar being secured to a vehicle's roof rack rail. A ratchet and a 1/2" socket are used to tighten a bolt that passes through the crossbar and into the rail. A tape measure is also shown, indicating the distance from the edge of the rail to the center of the crossbar.

TOOLS

- Ratchet
- 1/2" Socket
- Tape Measure

2.2.4 After installation is complete, cut the track plug underneath the front crossbar to fill all the unused space. Failure to do so will result in excessive wind noise.





**“You have successfully installed your
1505-TC Cargo Rack**

Thank you for doing business with us.”

For any feedback or suggestions you may have, please contact: cs@rangerdesign.com

