

INSTALLATION GUIDE



1505-PC Cargo Rack

Promaster City (Aluminum)

RANGER
DESIGN

QUICK START GUIDE

Phase 1 - Assembly

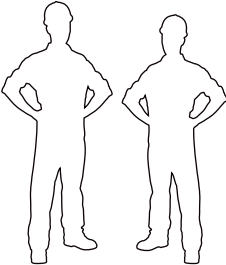
- 1.1 Setup..... 3 - 4
- 1.2 Cargo Rack Assembly..... 5 - 6

Phase 2 - Installation

- 2.1 Mounting Tracks Installation..... 7
- 2.2 Cargo Rack Installation..... 8 - 11

REQUIRED ITEMS

NOTE: Use Sawhorses if possible, or use the box as a flat protective surface on the ground or table.



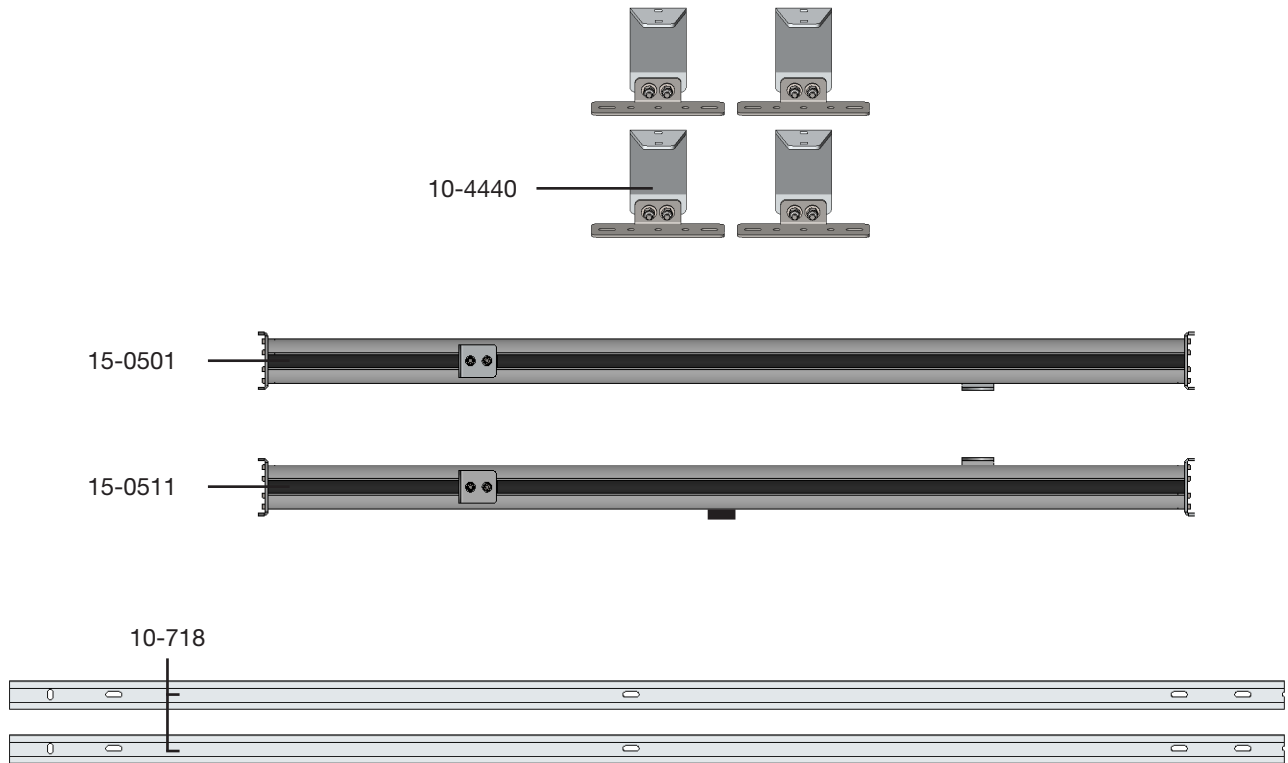
**2
PERSONS**

- Cordless Impact
- Ratchet
- Tape Measure
- Marker
- Ladder
- Cutter
- 1/2" Socket
- Sawhorse (Optional)
- Box
- Knife
- 1/2" Wrench
- 10mm Socket
- Silicone

PHASE 1 – ASSEMBLY

1.1 SETUP

1.1.1 Unpack components; compare with the bill of materials.



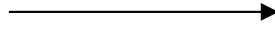
1.1.2 Verify all parts are present.

BILL OF MATERIALS





Item No.	Description	Qty.
10-718	Mounting Track	2
10-4440	“C” Foot	4
15-0501	Front Crossbar	1
15-0511	Rear Crossbar	1
94-1008	Assembly Fastener Kit	1
96-1013	Install Fastener Kit	1

1.1.3 Fastener kits.

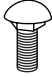



94-1008 Fastener Kit



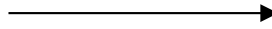
Fastener Assembly

- 8x  # 90-491 Carriage Bolt
5/16"-18 x 1"
SS304
- 8x  # 94-105 Hex Nut
5/16"-18
SS316wax
- 8x  # 98-117 Flat Washer
5/16", O.D 3/4"
SS18-8
- 8x  # 98-123 Lock Washer
Regular 5/16"
SS304

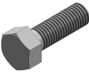
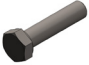
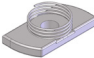





8x

 #90-491 Carriage Bolt 5/16" x 1"
 #98-117 Flat Washer
 #98-123 Lock Washer
 #94-105 Hex Nut





96 - 1013 Fastener Kit



Fastener Assembly

- 8x  # 90-209 Hex Bolt
5/16"-18 x 1"
SS304
- 10x  # 90-825 Hex Bolt
M6-1.0 x 20mm
SS304
- 8x  # 94-150 Channel Nut
5/16"
- 10x  # 98-113 Flat Washer
1/4", OD 5/8"
SS18-8
- 8x  # 98-117 Flat Washer
5/16", OD 3/4"
SS18-8
- 10x  # 98-119 Lock Washer
1/4"
SS304
- 8x  # 98-123 Lock Washer
5/16"
SS304
- 10x  # 98-149 Spacer
0.290" ID x 1.375" OD x 0.125" L
NEOPRENE

8x

 #90-209 Hex Bolt 5/16" x 1"
 #98-123 Lock Washer
 #98-117 Flat Washer
 #94-150 Channel Nut

10x

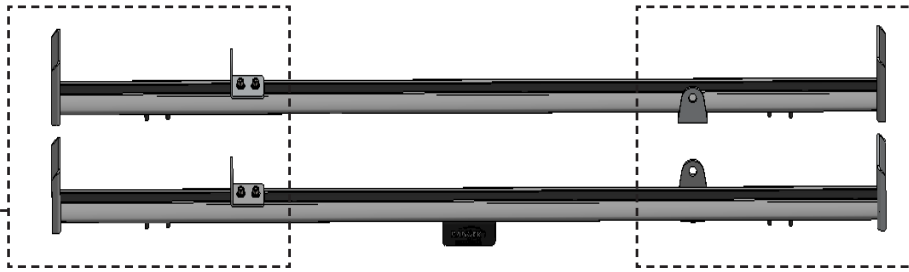
 #90-825 Hex Bolt M6 x 20mm
 #98-119 Lock Washer
 #98-113 Flat Washer
 #98-149 Neoprene Spacer

PHASE 1 – ASSEMBLY

1.2 CARGO RACK ASSEMBLY

1.2.1 Slide carriage bolts on the bottom face of the crossbars.

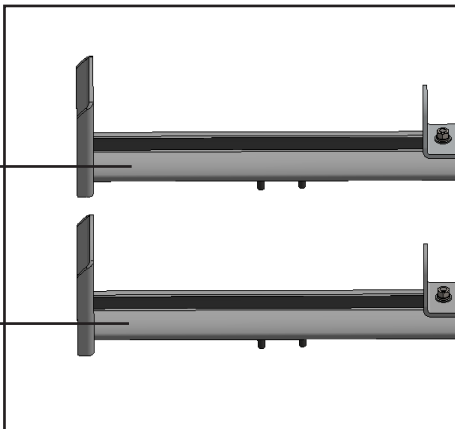
NOTE: The track plug must be removed from the underneath of the front crossbar, and reinstalled after the feet have been installed in the final position, see 2.2.4.



DRIVER SIDE

Front crossbar

- Slide 2 pcs. of 1" carriage bolts.



Rear crossbar

- Slide 2 pcs. of 1" carriage bolts.

HARDWARE USED

4x

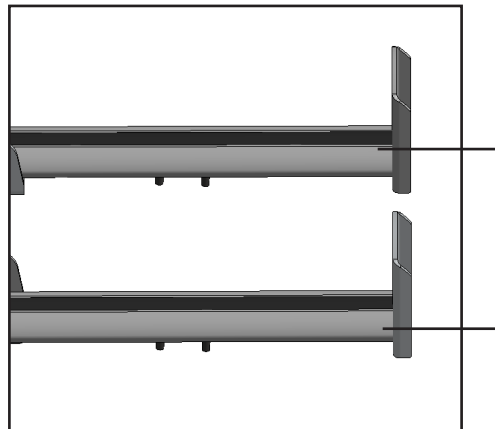


#90-491 Carriage Bolt
5/16" x 1" SS304

PASSENGER SIDE

Front crossbar

- Slide 2 pcs. of 1" carriage bolts.



Rear crossbar

- Slide 2 pcs. of 1" carriage bolts.

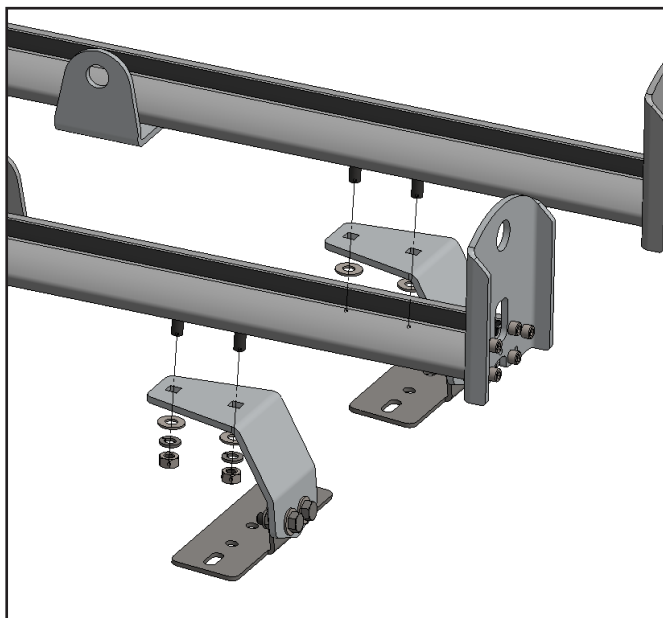
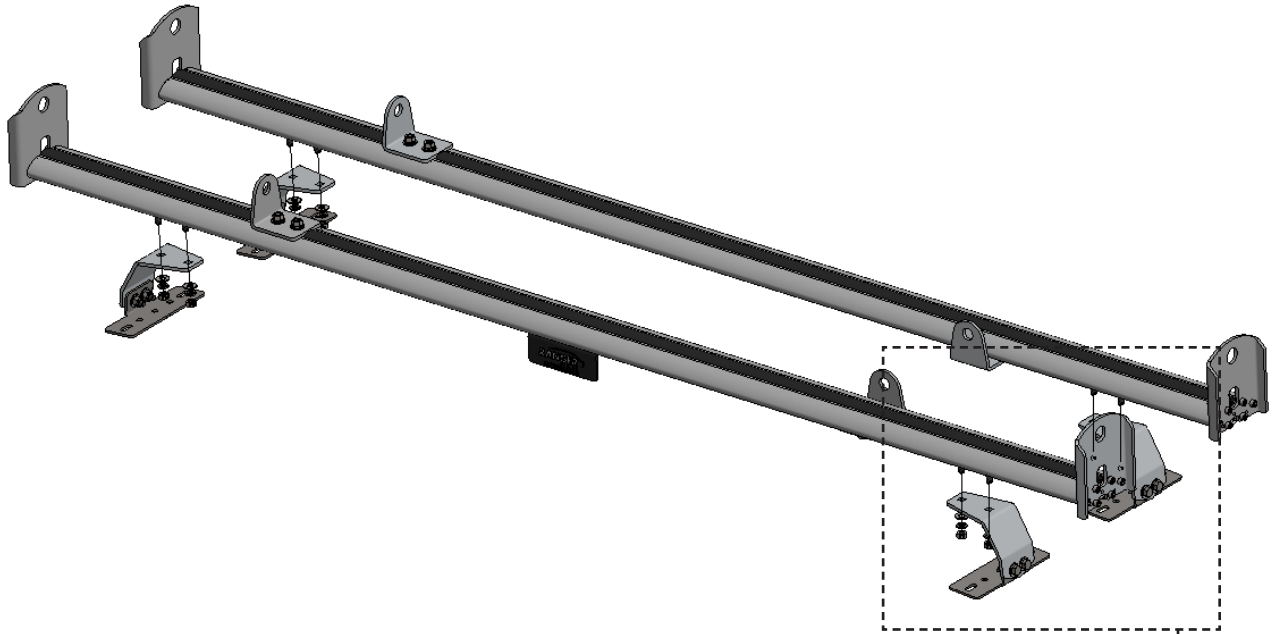
HARDWARE USED

4x



#90-491 Carriage Bolt
5/16" x 1" SS304

1.2.2 Install the feet on the Front, and Rear Crossbars.



HARDWARE USED

8x HAND-TIGHTEN THE NUTS.



Carriage bolts are already on the crossbars.



#98-117 Flat Washer



#98-123 Lock Washer



#94-105 Hex Nut

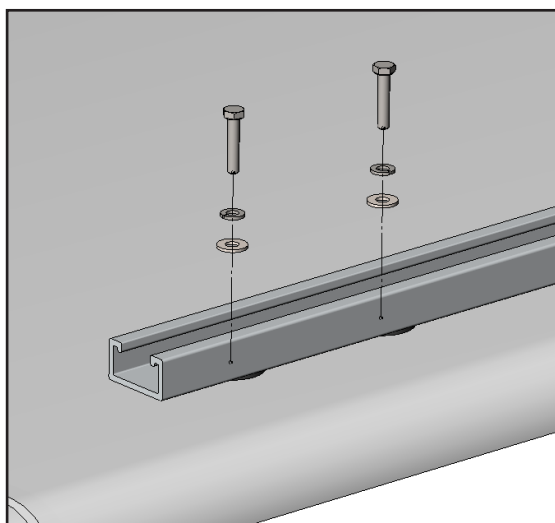
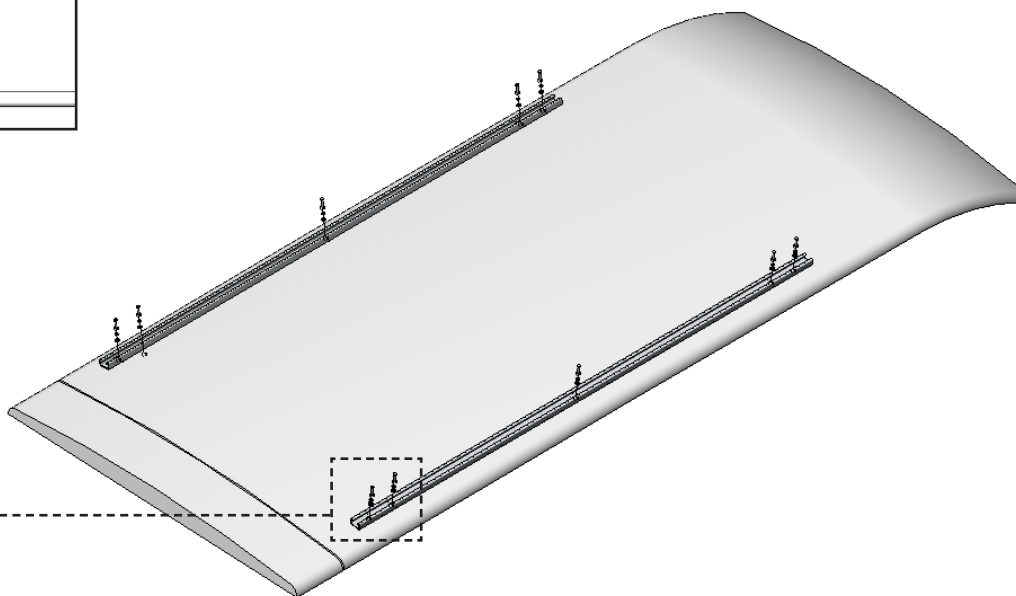
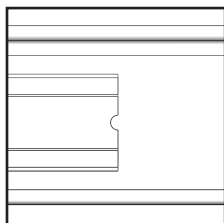
PHASE 2 – INSTALLATION

2.1 MOUNTING TRACKS INSTALLATION

- 2.1.1
- Remove existing plugs from vehicle roof holes.
 - Apply a bead of silicone around each hole, then install the mounting tracks to the roof.

NOTE: The ends of the mounting tracks with the half-circles go to the rear of the vehicle.

REAR







TOOLS

- Cordless Impact
- 10mm Socket

HARDWARE USED

10x

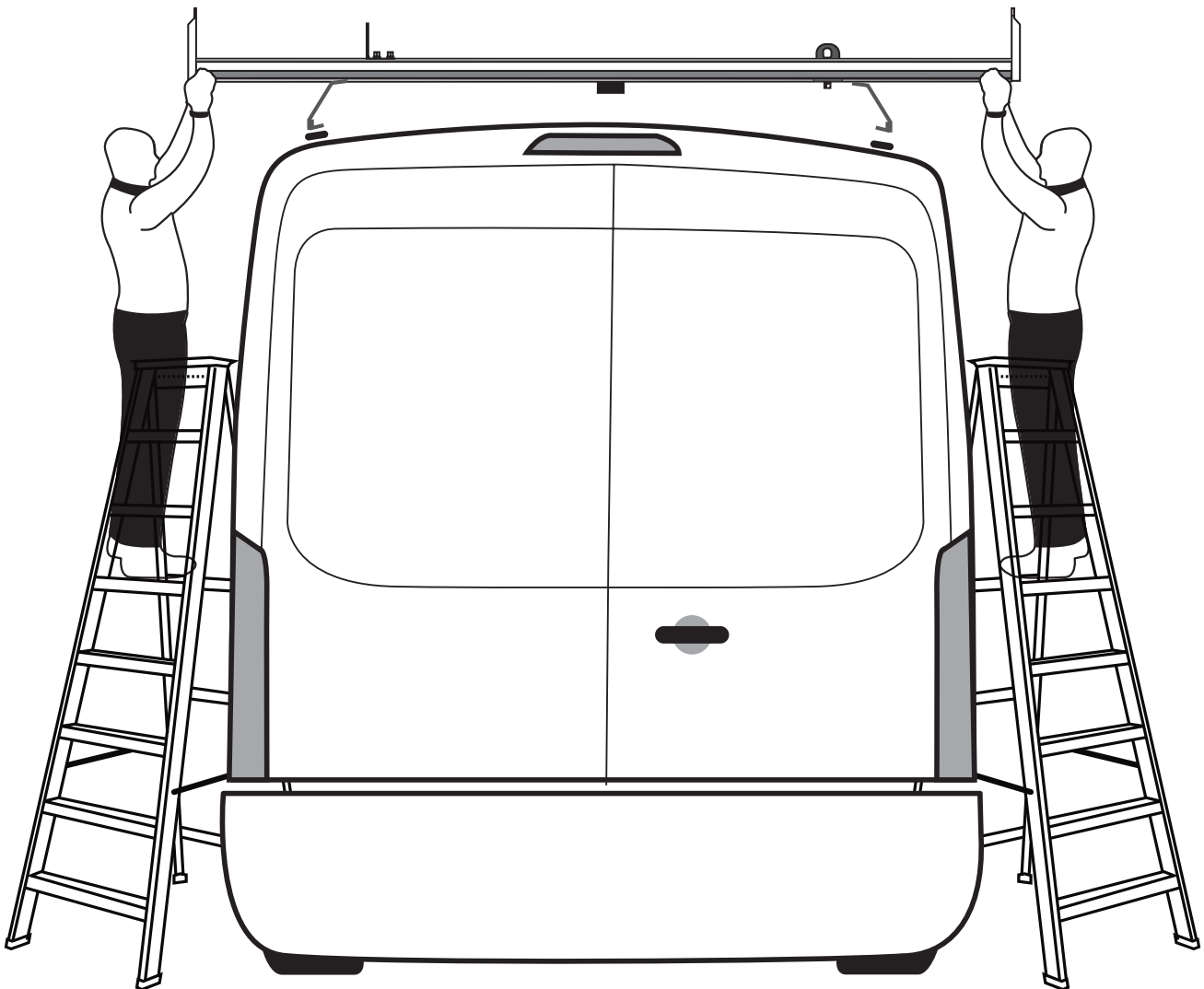
- | | |
|---|----------------------------|
|  | #90-825 Hex Bolt M6 x 20mm |
|  | #98-119 Lock Washer |
|  | #98-113 Flat Washer |
|  | #98-149 Neoprene Spacer |

PHASE 2 – INSTALLATION

2.2 CARGO RACK INSTALLATION

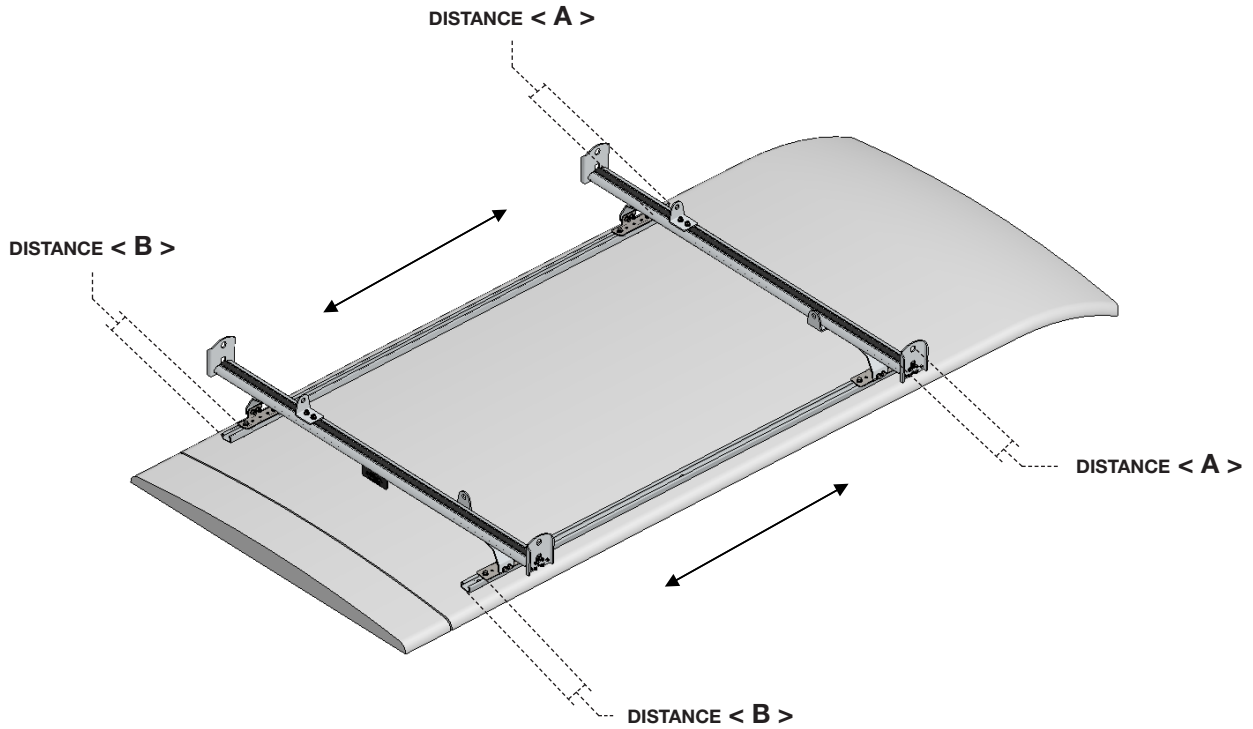
2.2.1 Position the front and rear crossbars (**minimum two persons**) on the vehicle so that the feet are on the mounting tracks.

Cargo Rack



- 2.2.2**
- Make sure the crossbars are parallel to each other at the desired distance apart, then attach all the “C” feet to the mounting tracks.
 - Tighten the bolts that attach the foot plate to the ladder rack leg.

DISTANCE < FOOT TO END OF TRACK >



TOOLS

- Ratchet
- 1/2" Socket
- Tape Measure

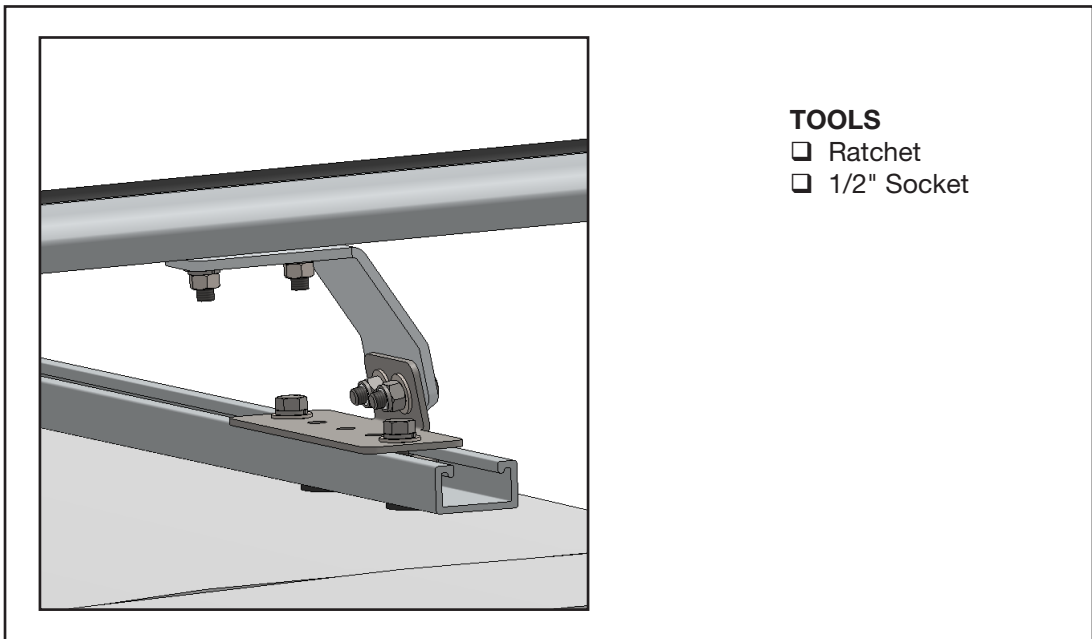
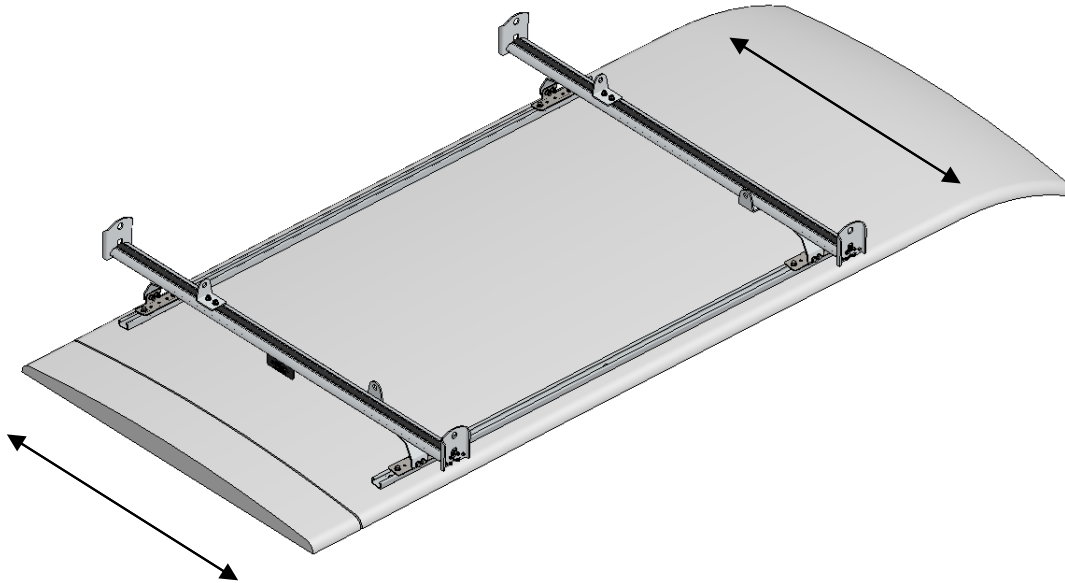
FASTENERS USED

8x

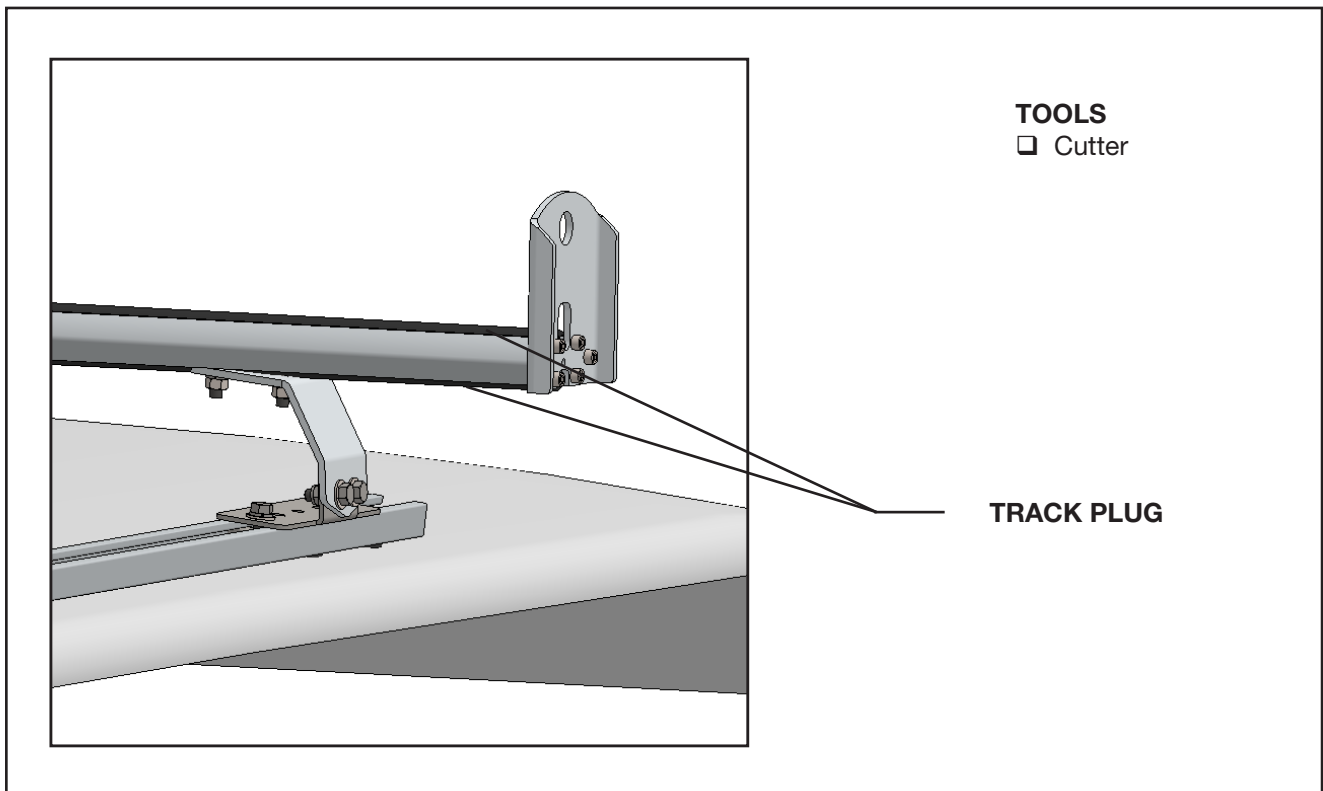
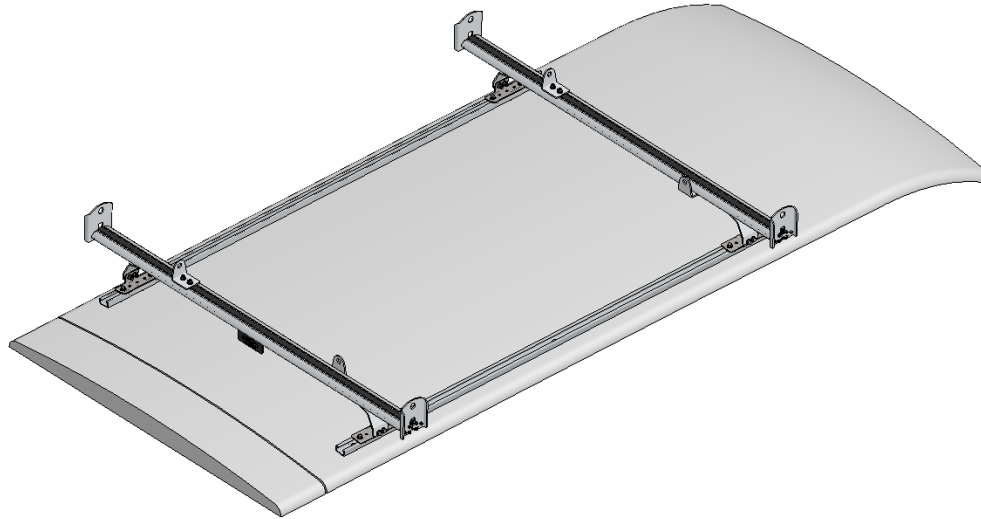
	#90-209 Hex Bolt 5/16" x 1"
	#98-123 Lock Washer
	#98-117 Flat Washer
	#94-150 Channel Nut

2.2.3 Center the crossbars on the vehicle, then tighten all the “C” feet to the crossbars.

IMPORTANT: Place the cargo rack warning label on a visible area, recommended on a partition.



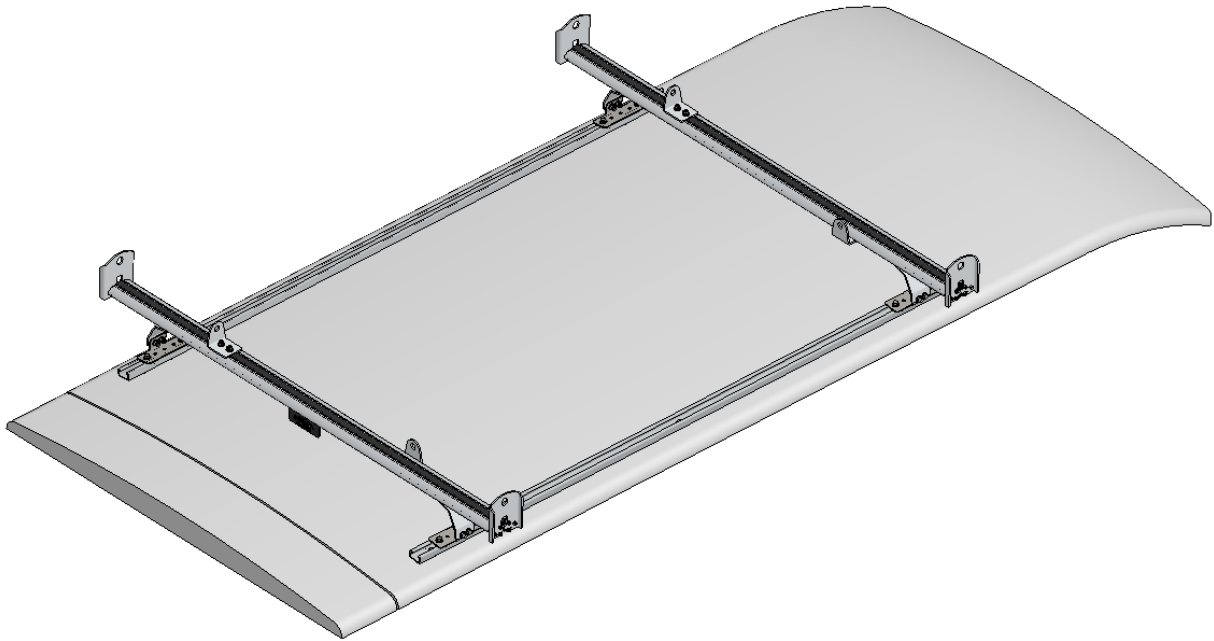
2.2.4 After installation is complete, cut the track plug underneath the front crossbar to fill all the unused space. Failure to do so will result in excessive wind noise.



TOOLS

□ Cutter

TRACK PLUG



**“You have successfully installed your
1505-PC Cargo Rack**

Thank you for doing business with us.”

For any feedback or suggestions you may have, please contact: cs@rangerdesign.com

