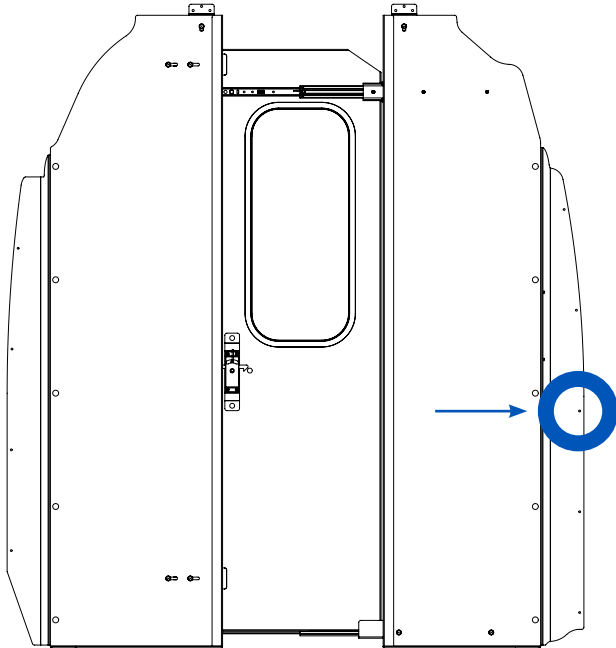


# DISTRIBUTOR BULLETIN

May 2015



## Important Sprinter Partition Update Modifications to the dimensions of the 2015 Sprinter

There has been modifications to the dimensions of the 2015 Sprinters, resulting in our partitions fitting differently. The third hole down on our side wing, as noted in the following diagram, must not be used when installing in a 2015 Sprinter. As it may in some cases impact the functionality of the seatbelt.

Partitions affected by this new dimensions on the 2015 Sprinters are:

Item	Description
C20-R	Partition, straight, Sprinter
C20-S	Partition, straight, Sprinter High Roof
C24-R	Partition, walk through, Sprinter Low Roof
C24-S	Partition, walk through, Sprinter High Roof
3064-DH	Partition, walk through, Sprinter High Roof
3064-DL	Partition, walk through, Sprinter Low Roof
3068-DH	Partition, sliding door, Sprinter High Roof
3068-DL	Partition, sliding door, Sprinter Low Roof
3069-DH	Partition, swing door, Sprinter High Roof
3069-DL	Partition, swing door, Sprinter low Roof

Revised instruction sheets will be included in your upcoming shipments. For further information, please call our Customer Service

## Production and Shipping Holidays May 18 and May 25, 2015

Monday May 18th, and Monday May 25th are holidays. This means that, orders placed on Thursday and Friday have a 6 day lead time instead of 5 day lead time.

Please note that our Customer Service will be here to assist you on these two holidays.

## New Max Rack Brochure New Sales Flyer



We have recently printed a new brochure specifically for the MAX RACK; several copies of it will be shipping to you shortly.

<http://rangerdesigninc.com/catalogues/products/MaxRackFinalBrochure.pdf>

<http://rangerdesigninc.com/products/maxrack-drop-down-ladder-racks-for-vans/>

## Reminder Dealer Demo Program

Click the link below to access our link to the Dealer demo program:

<http://rangerdesigninc.com/package-request>

## Legend Floors

### We are now Stocking!

We now have new Legend floors in stock and ready to ship. We can save you time and money by shipping the floors with your regular order, and with quick turnaround times.



## FIRE SALE

### Deluxe Load floors

The deluxe load floors for the RAM C/V Van are on sale while quantities last, please contact our Customer Service team for more details.

Call 1800-565-5321



## New Videos

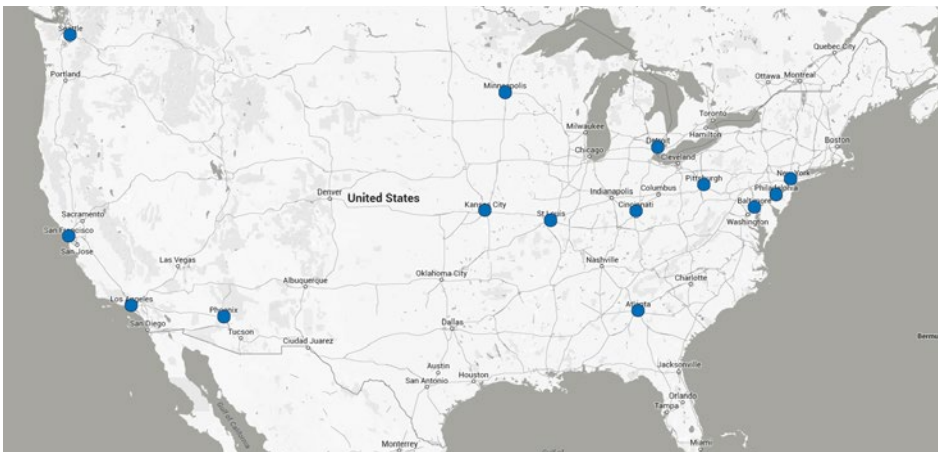
### Now available on the Website

Transit, see them here <http://rangerdesigninc.com/media/videos/>



## RAM Fleet Tour

Our Fleet Sales team will be exhibiting at the RAM fleet tours. Please come visit us as we are in your area!



## Minimum Advertised Pricing Policy

Effective January 1, 2015, a NEW Minimum Advertised Price (MAP) on all Ranger Design products is in effect. This policy applies only to U.S. and Canadian Distributors and sales representatives. We have implemented this MAP policy to preserve our strong reputation for providing customers with high value products and valued after sales support.


Location	Date
Charlotte, NC	May 19
Newark, NJ	May 19
Atlanta, GA	May 20
Philadelphia, PA	May 21
Baltimore, MD	May 27
Pittsburgh, PA	May 28
Cincinnati, OH	June 02
Phoenix, AZ	June 02

Location	Date
St Louis, MO	June 02
Los Angeles, CA	June 04
Kansas City, KS	June 04
Minneapolis, MN	June 09
San Francisco, CA	June 11
Detroit, MI	June 11
Seattle, WA	June 16

## Keeping in touch

### Is everybody receiving the Distributor Bulletin that needs it?

Please verify that all your staff that should receive our monthly update emails do; so if anybody should be added to the bulletin list please sign them up here or contact Customer Service.

Register here 

## Fleetline, the Competitive Advantage

Ranger has long been known as a premium aluminum-shelving manufacturer. If you find yourself with a cost-conscious dealership or end-user that wants Ranger quality at bare bones pricing, all is not lost!

When comparing Ranger's Fleetline steel shelving solution to other steel shelving brands, Fleetline typically costs less per linear foot of shelving provided.

For most Euro-style vans, the F87-R, F42-R and a C20 partition will be tougher, quieter and lighter than the competition while pricing out at an MSRP of around \$1,800. That is getting competitive!

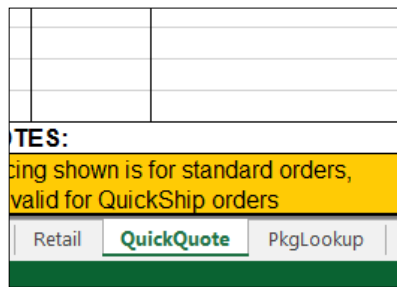


## Quick Quote Tool Have you tried it?

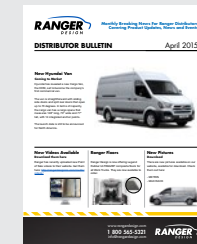
Our Quick Quote tool on our pricelist is quick and simple to use.

1. Save your Excel Pricelist to the desktop
2. Open it, and "Enable Editing"
3. Go to the Tab at the bottom called "Quick Quote"
4. Type your part numbers in the quote
5. You now have a quote, with no wait time

Call your representative with any questions.



## April Dealer Bulletin Did you miss it?



If you missed the important information on the April Dealer Bulletin, click here to view and download.

[Download April Bulletin](#)

## PAST ARTICLES

### Concept Van

### ProMaster City Launch Dates

### New Universal Shelf Block Universal fit

### C12-B Discontinued Ford E-Series Partition

Any suggestions, please email us at [cs@rangerdesign.com](mailto:cs@rangerdesign.com)

### New TCX Ladder Rack for Ford Transit Connect

Heavy Duty Ladder Racks for 28' Ladders

### New Hyundai Van

The New Van from Hyundai that may come to North America